



HEAT GUARD



LED REPLACEABLE



SEAMLESS LOOK



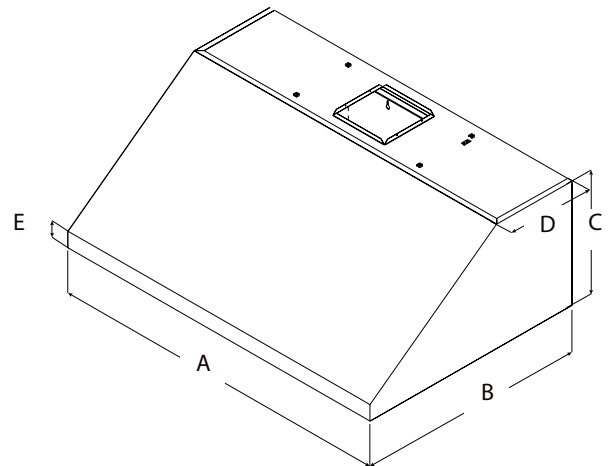
GREASE COLLECTORS



PROFESSIONAL PERFORMANCE

ELICA'S EXCLUSIVE PLUS FEATURES

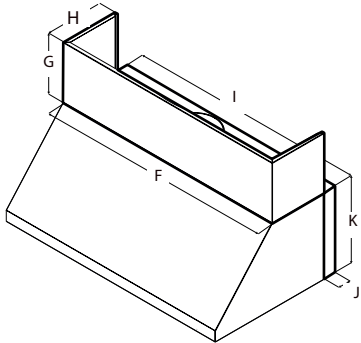
Tame the outdoors, without sacrificing style and luxury. Capri features a heavy gauge, corrosion resistant 302-grade stainless steel body, which will withstand the harshest environment. The extra deep 32" hood body is complimented with dual sets of angled stainless steel professional baffle filters, that provide exceptional air capture and a 1200 CFM blower has the power to do the job. Capri is available in 36" and 48" widths, an optional 3" spacer will extend the depth to 35" for added capture efficiency, plus optional 12" and 6" duct covers are available to reach any ceiling height.



	ECP136SS	ECP148SS
A	36" (91.2 cm)	48" (121.7 cm)
B	32" (81.38 cm)	
C	18" (45.71 cm)	
D	11 ¹⁵ / ₁₆ " (30.25 cm)	
E	2 ¹⁹ / ₃₂ " (5.41 cm)	

SPECIFICATIONS



Width:	36" Unit	48" Unit		
Model:	ECP136SS	ECP148SS		
Dimensions:	36"W x 32"D x 18"H	48"W x 32"D x 18"H		
Blower Type: (sold separately)	Internal or external 1200 CFM(4-speed)			
Noise (sones):	8.5 Sones			
Finish:	Corrosion Resistant Grade Stainless Steel			
Controls:	Fully retractable rotating knobs with blue backlighting			
Illumination:	2 LED, 7.5 Watts LED light	4 LED, 7.5 Watts LED light		
Filter Type:	Dishwasher-Safe, Professional Stainless Steel 4 with 36" & 6 with 48"			
Duct Transition:	10" Round with BackDraft Damper (top)			
Installation Type:	Ducted Installation Only			
Electrical:	120V - 60 Hz			
KITS:				
External Blower Kit 1200 CFM 8" or 10" duct size compatible:	KIT0153054			
In Line Blower Kit 1200 CFM 8" or 10" duct size compatible:	KIT0154387			
1200 CFM Internal Blower:	KIT0156655			
	Duct Cover Kit	F	G	H
	KIT0156637	36" (91.2 cm)	6"	11 ¹⁵ / ₁₆ " (30.25 cm)
	KIT0156641	48" (121.7 cm)		
	KIT0156645	36" (91.2 cm)		
	KIT0156649	48" (121.7 cm)	12"	
	Spacer Kit	I	J	K
	KIT0153304	36" (91.2 cm)	3"	18" (45.71 cm)
KIT0153305	48" (121.7 cm)			
WARRANTY:**	Two (2) Years Parts & In-Home Labor. Earn an additional One (1) Year of Parts & In-Home Labor by registering on elica.com.			

PLUS FEATURES



LED CONSUMER REPLACEABLE BULB - High quality LED lighting usually requires a skilled technician to replace lamps. Avoid this expense with Elica's new LED lamps that enable homeowners to replace in seconds



SEAMLESS CRAFTSMANSHIP - Heavy gauge stainless steel "Seamless" construction that delivers refined elegance.



HEAT GUARD - Senses extreme temperatures (>158 degrees) and automatically adjusts the blower speed to HIGH



STAINLESS STEEL BAFFLE FILTERS WITH GREASE COLLECTORS - Designed for high airflow cooking, the "S" shape design traps high volumes of grease



PROFESSIONAL PERFORMANCE - Special features and high performances for models with aspiration capacity between 600 and 1200 CFM's

* The product images shown are for illustration purposes only and may not be an exact representation of the product.

** For valid warranty extension, register within 3 months from purchase. For USA & Canada Users Only.