

ELICA COMFORT SERIES BOLSENA

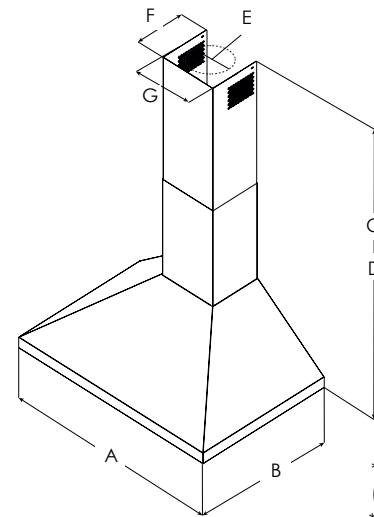


- 
SEMI BAFFLE
FILTER
- 
LED LIGHT
- 
CRS
CFM
REDUCTION

ELICA'S EXCLUSIVE
PLUS FEATURES

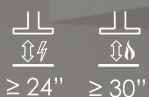
Bolzano with its pyramid shaped angles and stainless steel finish, makes a striking visual statement to any kitchen. Available in 30" or 36" widths, features backlit touch controls, LED lightning and a 4 speed blower. It also features a telescopic chimney for up to 9' 1" ceilings.

Designed for standar ducted installation it can also be installed as a recirculating system using the kit available as an accessory.



*Ductless version
(Recirculating)
**Ducted version




 $\geq 24''$ $\geq 30''$

MOUNTING
HEIGHT
RANGE

	EBS630SS	EBS636SS
A	30" (76.2 cm)	36" (91.4 cm)
B	19 11/16" (50 cm)	
C*	Max: 42 1/8" (107 cm) Min: 28 3/8" (72 cm)	
D**	Max: 38 3/16" (97 cm) Min: 28 3/8" (72 cm)	
E	6" (15.24 cm)	
F	7 3/16" (18.3 cm)	
G	8 3/16" (20.8 cm)	

ELICA COMFORT SERIES

BOLSENA



SPECIFICATIONS

Width:	30" Unit	36" Unit
Model:	EBS630SS	EBS630SS
Dimensions:	30"Wx 19 11/16"D x Min:28 3/4" Max: 41 1/8 "H	36"Wx 19 11/16"D x Min:28 3/4" Max: 41 1/8 "H
Blower Type(internal):**	600 CFM(4-speed)	
Noise (sones):	6.8 Sones	
Finish:	Stainless Steel	
Controls:	Stainless steel look, Multiple backlight color touch controls	
Illumination:	2 LED Lights , 2.1 W 3000 K	
Grease Filter:	Dishwasher-Safe, Stainless Steel Baffle Slot Filters 2 for 30" & 3 for 36"	
Duct Transition:	6" Round with BackDraft Damper (top only)	
Installation Type:	Ducted or Recirculating (Kit sold separately)	
Telescopic Chimney:	Can reach ceiling heights For heights 7'5" - 9'1" (ducted), 7'5" - 9'6" (recirculating)	
Electrical:	120V - 60 Hz, 265 watts	
KITS:		
Chimney Extension Kit:	KIT02762 (Reaches ceiling heights of 8'5" - 11'3" (ducted), 8'6" - 11'7" (recirculating)	
Recirculating Kit:	KIT02766 (contains 6" deflector and 2 round carbon filters)	
WARRANTY:***	Two (2) Years Parts & In-Home Labor. Earn an additional One (1) Year of Parts & In-Home Labor by registering on elica.com.	

PLUS FEATURES



STAINLESS STEEL BAFFLE SLOT FILTERS - A baffle shaped stainless steel filter with mesh backing allows air to pass but blocks grease, which drops into the high capacity baffle cavities. The design delivers large volume capacity, excellent capture efficiency at ALL blower speeds, silent operation, plus, durability that will last the life of the hood.



CFM REDUCTION - CFM Reduction System (CRS), is an exclusive feature to Elica hoods, which enables the user to reduce the maximum blower CFM, to meet local code requirements.



LED LIGHT - LED lighting is undoubtedly the smartest solution in terms of energy saving. Expected life time of over 20.000 hours, represents the most remarkable advantage of LED light bulbs.



HVI Certified Ratings	High Speed	Working Speed	Duct Size
CFM	330	140	6" (Vertical)
Sones	5.5	0.5	6" (Vertical)

* The product images shown are for illustration purposes only and may not be an exact representation of the product.

** Blower performance indicates the performance of the blower by itself. Performance claims are not HVI certified but were established in accordance with HVI Standardized test procedure. For Certified Ratings, please refer to HVI Certified Product Directory. Electric Ratings are declared according to UL.

*** For valid warranty extension, register within 3 months from purchase. For USA & Canada Users Only.