

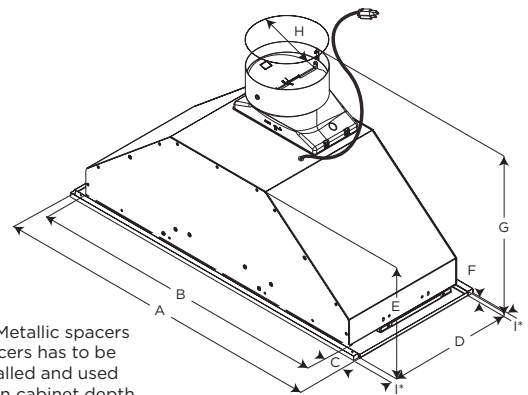


LED LIGHT

ELICA'S EXCLUSIVE PLUS FEATURES

Asti 300 is specifically created to be mounted discreetly inside cabinetry, with a perfect fit for 12" deep cabinetry and a 28" width, it is an excellent choice for kitchens with limited space or where the range hood needs to remain out of view.

With a 300 CFM blower, Asti is capable of meeting most cooking needs. Its convenient Mechanical Push Button Controls operate the 3-speed blower and LED lighting, while its dishwasher-safe anodized aluminum mesh filters, protected by a stainless steel layer, ensure effortless maintenance. Asti is designed for both standard ducted or recirculating installations.



I* - Metallic spacers Spacers has to be installed and used when cabinet depth is greater than 12".



≥24"

≥30"

MOUNTING
HEIGHT
RANGE

	EAS328SS
A	28 1/4" (71.8 cm)
B	26" (66.1 cm)
C	1 1/8" (2.9 cm)
D	10 3/4" (27.3 cm)
E	9 1/2" (24.2 cm)
F	3/8" (.95 cm)
G	14 9/16" (37 cm)
H	6" (15.2 cm)
I*	1/2" (1.27 cm)

SPECIFICATIONS

Width:	28" Unit
Model:	EAS328SS
Dimensions:	28 1/4 "W x 10 3/4 "D x 9 1/2" H
Blower Type(internal):	300 CFM (3 -speed)
Noise (sones):	4.0 Sones
Finish:	Stainless Steel
Controls:	Mechanical Push Button
Illumination:	2 LED, 2.1 W, 4000 K, 235 lumens
Grease Filter:	Dishwasher Safe Anodized Aluminum Mesh
Duct Transition:	6" Round with Back Draft Damper (top only)
Installation Type:	Ducted or Recirculating (Kit sold separately)
Electrical:	120 V - 60 Hz, 260 W
KITS:	
Recirculating Kit:	KIT02770 (Contains 2 carbon filters and 6" round deflector grate)
30" Hood Liner :	KIT02773 (Stainless Steel, 29" W x 17 1/2" -20 1/2" D)
36" Hood Liner :	KIT02774 (Stainless Steel, 35" W x 17 1/2" -20 1/2" D)
WARRANTY:**	Two (2) Years Parts & In-Home Labor. Earn an additional One (1) Year of Parts & In-Home Labor by registering on elica.com.

PLUS FEATURES



LED LIGHT - LED lighting is undoubtedly the smartest solution in terms of energy saving. Expected life is over 20,000 hours, and should last the full life of the hood.



Certified Ratings	High Speed	Working Speed	Duct Size
CFM	190	120	6" (Vertical)
Sones	5	2	6" (Vertical)

* The product images shown are for illustration purposes only and may not be an exact representation of the product.

** Blower performance indicates the performance of the blower by itself. Performance claims are not AHAM certified but were established in accordance with HVI Standardized test procedure. For Certified Ratings, please refer to AHAM Certified Product Directory. Electric Ratings are declared according to UL.

*** For valid warranty extension, register within 3 months from purchase. For USA & Canada Users Only.