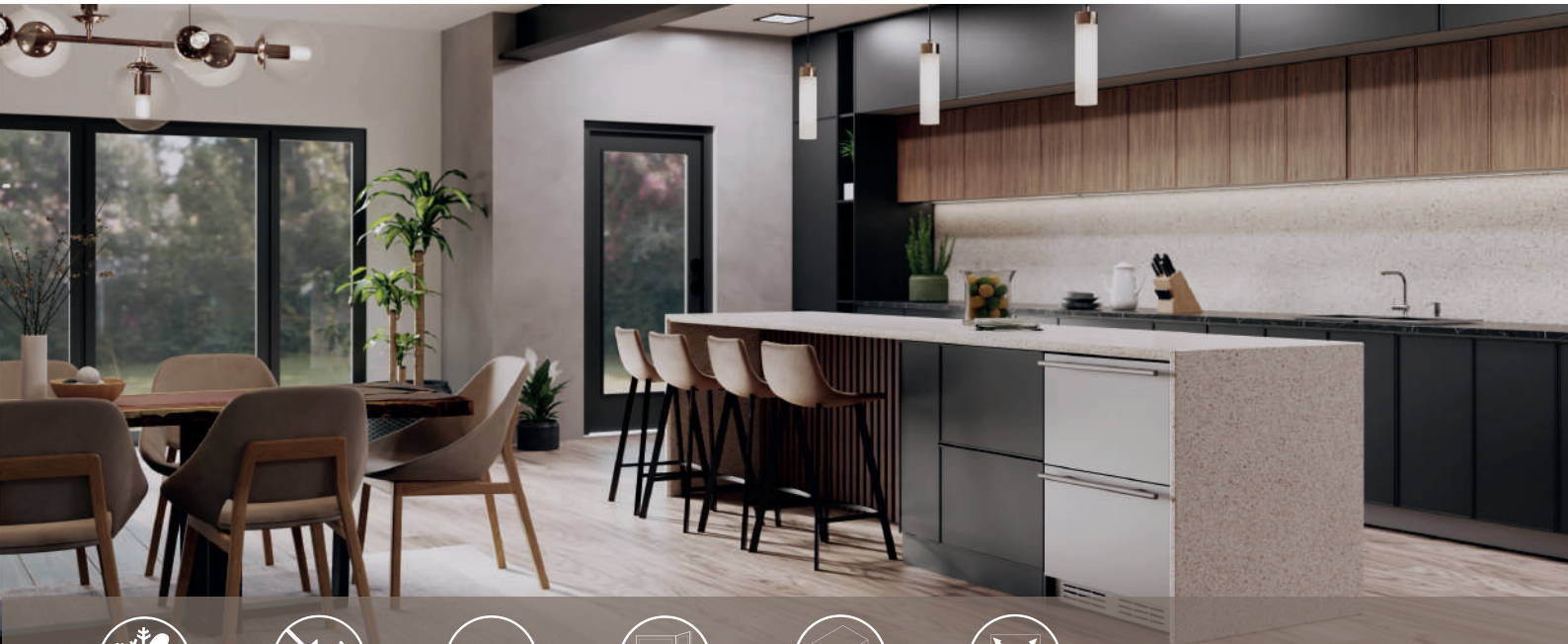


EBD51SS1

Refrigeration Drawers | TWO DRAWER SINGLE ZONE



EPC
TECHNOLOGY



QUIET
OPERATION



ECO - MODE



OPEN DOOR
ALARM



PANEL READY



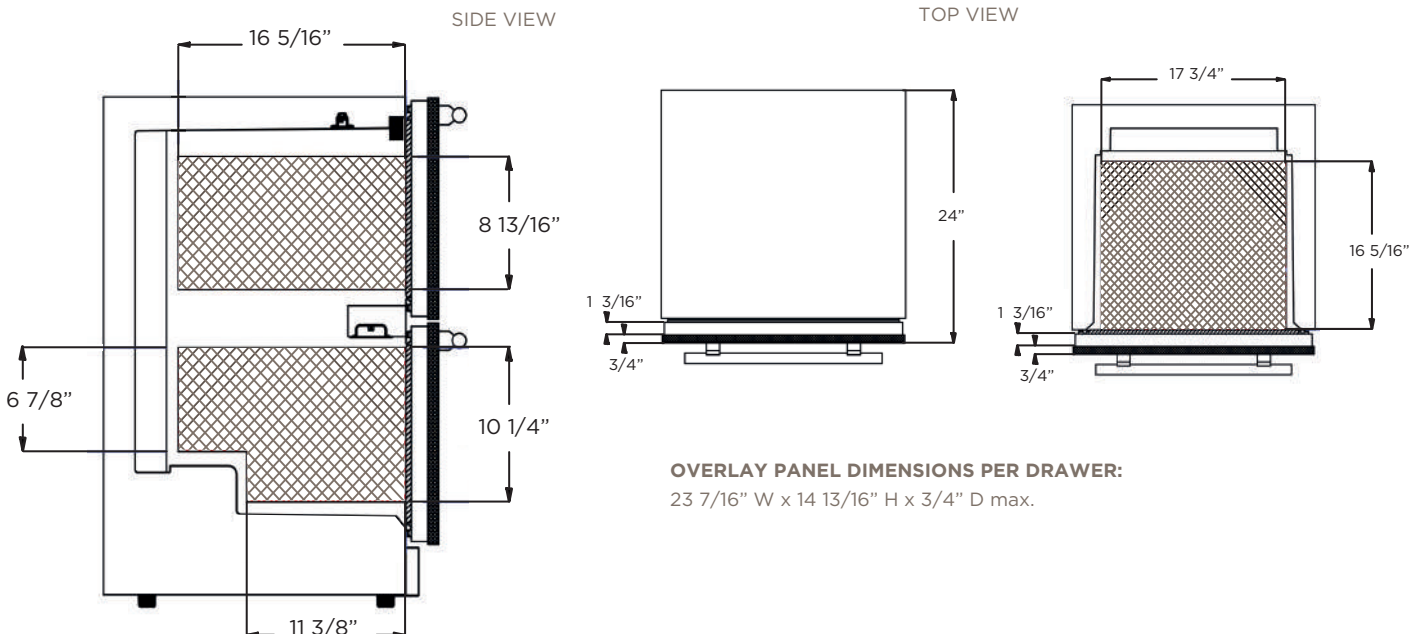
SMART
STORAGE

ELICA'S EXCLUSIVE
PLUS FEATURES

RISERVA - EBD51SS1 is the perfect solution for your refrigeration needs. This Single Zone Double Drawer Unit comes with a 304 Stainless Steel solid doors and designed to be Panel Ready Convertible, allowing them to seamlessly blend into your kitchen cabinetry.

The drawers are spacious and offer up to 4.7 cu ft. of cooling capacity. Featuring an electronic control panel with a white LED readout, providing easy access to temperature adjustments ranging from 34° to 64°. With its sleek design, this drawer unit is sure to add style and functionality to your kitchen.

STORAGE CAPACITY



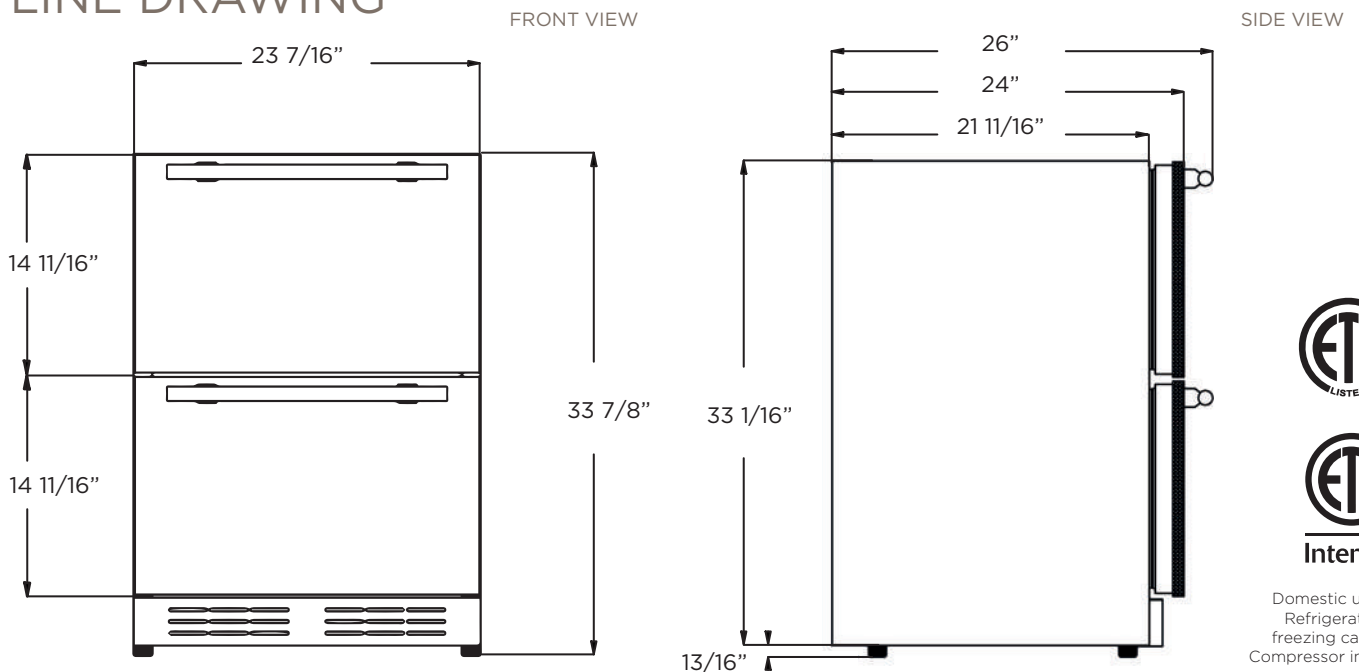
EBD51SS1

Refrigeration Drawers | TWO DRAWER SINGLE ZONE



PRODUCT DESCRIPTION EBD51SS1		ELECTRICAL SPECIFICATIONS	
Standard Width	24"	Compressor Brand	Embraco
Dimensions	23 7/16" W x 24" D X 33 7/8" H	Min. Circuit Required	15 A
Weight	130 lbs	AC Power	115V/60HZ
Installation Type	Built-in and Free Standing	Amperage	1.25A
Refrigerant Type	R600a	Plug Type	B
Volume	4.7 cu ft (137L)	OTHER FEATURES	
Sound Level	39 dBA	Full Extension Drawers with telescopic rollers	
Door Finish	304 Stainless Steel / Panel Ready	Soft closing drawers.	
Door Handle	Tubular	Open Door Alarm	
Cabinet Finish	Black	Anti Vibration Technology	
Interior Finish	304 Stainless Steel	Adjustable thermostat & temperature memory function	
Lighting	White LED	Sabbath Mode	
Controls	Electronic control with white LED readout.	Stylish look with tubular handle	
		Anti Damping System	
Temperature Range	34 to 64°F	Smart Storage	
TOP DRAWER		Elica Perfect Climate Technology	
Total Capacity	54 cans (12 oz)	Quiet Operation	
Drawer Dividers	2 Adjustable Stainless steel Dividers.	KITS	
		Carbon Filter KIT	L00114-1
BOTTOM DRAWER		PRO Handle	KIT0175505
Total Capacity	59 cans (12 oz)	WARRANTY	
Drawer Dividers	1 Fixed Tubular Divider	3 Year Parts and In-Home Labor Warranty. Third year awarded after product registration on www.elica.com	

LINE DRAWING



Intertek

Domestic use only.
Refrigeration, no
freezing capability.
Compressor included.