

# LUGANO



WALL-MOUNT  
ASPIRE SERIES

## Dimensions

30"W x 19 11/16"D x 5"H  
36"W x 19 11/16"D x 5"H

## Models

ELG630S2      Lugano 30" Stainless  
ELG636S2      Lugano 36" Stainless

## Special features



CFM REDUCTION



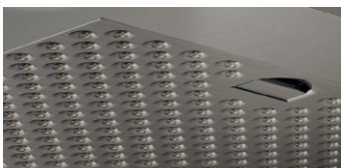
HEAT GUARD



halogen lamps



multi-function electronic controls with LCD display



stainless steel micro hole filters



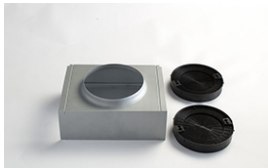
With Lugano, a gently tapered stainless steel canopy that measures only 5" high, conveys understated elegance. Available in 30" or 36" widths, Lugano features include a powerful 600 CFM blower, halogen lighting with 2 light intensities, stainless steel microhole filters and a multi-function electronic control with LCD display that delivers convenience and safety.

Designed for standard ducted installation, Lugano can also be installed as a recirculating system using the Recirculating Kit, available as an accessory.

## FEATURES

<b>Size (in) &amp; Type Finish</b>	30" or 36" Wide Wall-Mount Chimney Stainless Steel
<b>Controls</b>	Multi-function electronic with LCD display
<b>Illumination</b>	2, 40 Watt Halogen Lamps, 2 Light Intensities (bulbs included)
<b>Installation Type</b>	Ducted or Recirculating Installation Recirculating Kit Sold Separately
<b>Blower Type</b>	600 CFM, 4-Speed Internal
<b>Blower Performance</b>	Speed 1, 160 CFM, 1.4 Sones Speed 2, 280 CFM, 3.2 Sones Speed 3, 470 CFM, 6.0 Sones Speed 4, 600 CFM, 8.2 Sones
<b>Filter Type</b>	Dishwasher-Safe, Stainless Steel Micro Hole (2 w/ 30", 3 w/ 36")
<b>Telescopic Chimney Extension</b>	For heights 7'1" - 8'11" (ducted) For heights 7'5" - 9'4" (recirculating)
<b>Duct Transition</b>	6" Round with Back Draft Damper (top)
<b>Electrical</b>	120V-60Hz 530 Watts at 4.4 Amps
<b>Warranty</b>	2 Year Parts & Labor, In-Home Service

## ACCESSORIES



### Optional Recirculating Kit for 30" and 36"

CODE: KIT02721  
MODEL: KIT02721

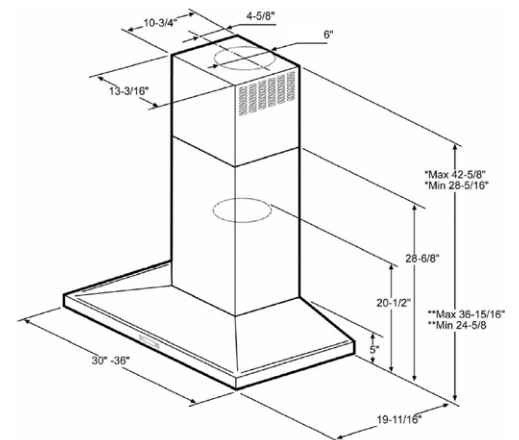


### Optional Long Chimney Extension Kit

Reaches 8'5" - 12'0" (ducted)  
Reaches 8'9" - 12'4" (recirculating)

CODE: KIT02785  
MODEL: EXXCEK07

## LINE DRAWING



## CONSUMABLE PARTS

### Replacement Grease Filter (1)

CODE: GF04YB

### Replacement Carbon Filter (1)

CODE: KIT02667

### Replacement Light Bulb (1)

CODE: 2006DX

Consumable parts are sold in units of one (1). Order accordingly.

## SPECIAL FEATURES



### Elica CRS:

CFM Reduction System (CRS), is an exclusive feature to Elica hoods, which enables the installer to reduce the maximum blower CFM, to meet local code requirements.



### Elica Heat Guard:

A safety feature that protects the hood and cabinetry from excessive heat, by sensing extreme temperatures (>158 degrees) and will automatically adjust the blower speed to HIGH. Blower speed will automatically adjust back once temperatures drop to a safe level.