



AMBIENT LIGHT



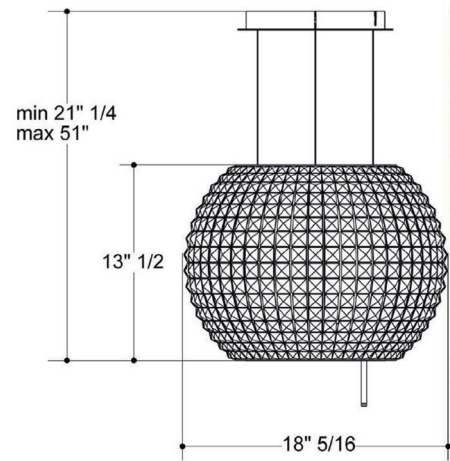
LONG LIFE FILTER

ELICA'S EXCLUSIVE PLUS FEATURES

Star is the brightest hood in Elica's glittering constellation of range hoods. The spherical shape is dressed with hundreds of tiny cascading glass prisms, which softly reflect light and elegantly illuminate any room.

The compact size and sophisticated styling adds casual brilliance and the right touch of Decoration, without overpowering the kitchen or obstructing views to the outside. All possible due to Elica's patented Evolution system.

Above all, Star ventilates the kitchen with a 300 CFM blower that effectively removes cooking grease, heat, smoke and odours, with only a whisper of sound (0.3 sones at speed 1).



≥24"



≥30"

MOUNTING HEIGHT RANGE

SPECIFICATIONS

	20" UNIT
Model: Dimensions: Blower Type(internal): Blower Performance: Speed 1 Speed 2 Speed 3 Speed 4 Noise (sones): Working Speed Finish: Controls: Illumination: Filter Type: Installation Type: Electrical:	EST319GL 18 5/16"W x 18 5/16"D x 13 1/2"H 300 CFM, 4-Speed Internal 100 CFM 175 CFM 250 CFM 300 CFM Min: 0.3 Sones, Max: 4.1 Sones Stainless Steel Magic Wand 2, 20 Watt Halogen Lamps, 1 Light Intensity (bulbs included) 6, 40 Watt Incandescent Ambient Lamps, Infinite Light Adjustment (bulbs included) 2, Dishwasher- Safe Aluminum Mesh Grease & 2, Long Life Carbon (both included) Recirculating Installation Only 120V-60Hz, 320 Watts at 2.7 Amps
KITS: Optional High Ceiling Extension Kit Range 6'10" - 23' 5" (Requires 2 Kits) Optional Jet Black Remote Control	KIT01921 KIT02183/1
CONSUMABLE PARTS: Replacement Grease Filter (1) Replacement Carbon Filter (1) Replacement Light Bulb (1)	KIT01711 F00433/1 2006BH (Flood) / 2006CL (Ambient)
WARRANTY:	2 YEARS PARTS AND LABOR, EARN A 3RD YEAR OF FULL FACTORY WARRANTY REGISTERING YOUR PRODUCT ON ELICA.COM

** For valid warranty extension, register within 3 months from purchase. For USA & Canada Users only

*The product images shown are for illustration purposes only and may not be an exact representation of the product.

PLUS FEATURES



AMBIENT LIGHT - Elica studies on hood lighting leaves no stone unturned. Here we have thought about products not only able to light the cooktop, but the entire kitchen space. And so the hood is transformed: from a kitchen appliance to a true lighting element. Considering the design of Elica hoods, it is not hard to imagine how this option is quite unique, and represents one extraordinary point of strength for us.



LONG LIFE FILTER - One-of-a-kind odour filter, capable of regenerating itself and of lasting up to 3 years, while standard filters have an average life between 3 to 6 months. To maintain these characteristics, the filter only requires simple maintenance: wash every 2 or 3 months with hot water and mild soap (also in the dishwasher at 65 degrees) and dry in the oven for 10 minutes at 100 degrees.