



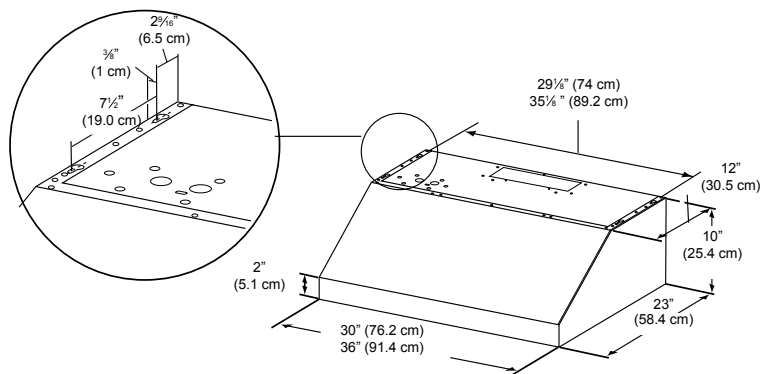
3X LAYER
MESH FILTER



LED LIGHT

ELICA'S EXCLUSIVE
PLUS FEATURES

Available in 30" and 36" widths and only 10" high, the Sora offers professional styling and adequate power for most cooking needs. Sora features a 400 CFM blower with 2 dishwasher stainless steel baffle slot filters, LED lighting and rocker switch controls for convenience and safety. Sora is sure to deliver easy maintenance, higher efficiency and a cleaner kitchen.



≥24"



≥30"

MOUNTING
HEIGHT
RANGE

SPECIFICATIONS



	30" UNIT	36" UNIT
Model:	ESR430S1	ESR436S1
Dimensions:	30" W x 23"D x 10"H	36" W x 23"D x 10"H
Blower Type(internal):	400 CFM, 2-Speed Internal	
Blower Performance:		
Noise (sones):	Min: 1.5, Max: 5.9 Sones	
Working Speed		
Finish:	Stainless Steel	
Controls:	Rocker Controls	
Illumination:	2, 2.1 W LED Lamps	
Filter Type:	2, Baffle Slot Grease Filters	
Duct Transition:	31/4" x 10" with Back Draft Damper (top or rear)	
Installation Type:	Ducted or Recirculating Installation (Recirculating Kit Sold Separately)	
Electrical:	120 Volts, 60 Hertz, 340 Watts at 2.8 Amps	
KITS:		
Optional Recirculating		
Recirculating Kit	KIT02770	
CFM Reduction Kit	KIT02748	
CONSUMABLE PARTS:		
Replacement Grease Filter (1)	GF09EA	GF09FA
Replacement Light Bulb (1)	42006BH	

*The product images shown are for illustration purposes only and may not be an exact representation of the product.

PLUS FEATURES



3X LAYER GREASE FILTER - Elica aluminum mesh filters are a step above competition, featuring triple layered, anodized aluminum that is woven into a highly dense mesh. The thick mesh captures more grease, anodization helps resist staining and provides durability to repeated cleanings in the dishwasher.



LED LIGHT - LED lighting is undoubtedly the smartest solution in terms of energy saving. Expected life time of over 20,000 hours, represents the most remarkable advantage of LED light bulbs.