

GLIDE



UNDER-CABINET
ASPIRE SERIES

Dimensions

30"W x 11 1/2" - 19 3/4"D x 2 3/4"H
36"W x 11 1/2" - 19 3/4"D x 2 3/4"H

Models

EGL430SS Glide 30" Stainless
EGL436SS Glide 36" Stainless



halogen lamps



electronic push button controls



stainless steel micro hole filters



The ultra-thin 23/4" Glide brings a sleek understated look to modern kitchens that desire minimalism. The crescent shape profile is uncommon and attractive, while the retractable, curved glass visor helps capture cooking vapors, and empowers the user to operate the blower and lights without reaching for the controls. Glide comes equipped with a 450 CFM blower, plus reliable electronic push button controls operate dual level halogen lights and the 4-speed blower. Easy maintenance and a cleaner kitchen are ensured by a dishwasher safe, stainless steel mesh filter.

Glide is designed for standard ducted installations, but can also be installed as a recirculating system.

FEATURES

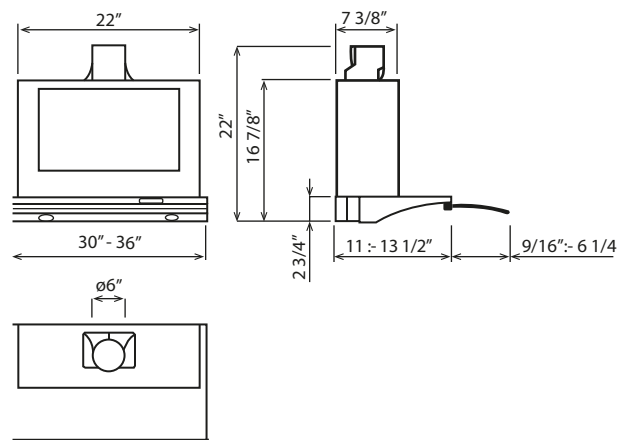
Size (in) & Type Finish	30" or 36" Wide Under-Cabinet Stainless Steel + Clear Glass
Controls	Electronic Push Button
Illumination	2, 40 Watt Halogen Lamps, 2 Light Intensities (bulbs included)
Installation Type	Ducted or Recirculating Installation Recirculating Kit Sold Separately
Blower Type	450 CFM, 4-Speed Internal
Blower Performance	Speed 1, 110 CFM, 0.7 Sones Speed 2, 200 CFM, 1.7 Sones Speed 3, 300 CFM, 3.6 Sones Speed 4, 450 CFM, 5.2 Sones
Filter Type	1, Dishwasher-Safe, Stainless Steel Mesh
Duct Transition	6" Round (top)
Electrical	120V-60Hz 270 Watts at 2.3 Amps
Warranty	2 Year Parts & Labor, In-Home Service

ACCESSORIES



**Optional Recirculating Kit
for 30" and 36"**
CODE: F00539
MODEL: EGLRCK12

LINE DRAWING



CONSUMABLE PARTS

Replacement Grease Filter (1)
CODE: GF02ZC

Replacement Carbon Filter (1)
CODE: F00171/S

Replacement Light Bulb (1)
CODE: 2005AW

Consumable parts are sold in units of one (1). Order accordingly.