

COMFORT SERIES  
**ALLASIO**



3X LAYER  
 MESH FILTER



LED LIGHT

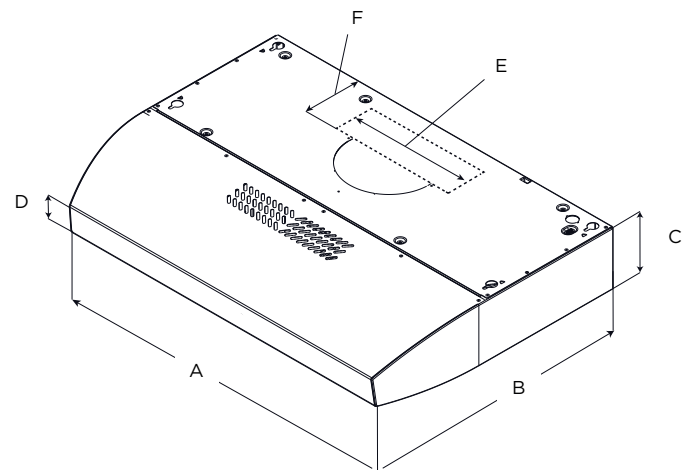


CRS  
 CFM REDUCTION

ELICA'S EXCLUSIVE  
 PLUS FEATURES

The slim Allasio with 4 3/4" height is ideal where under-cabinet space is limited, plus the contemporary styling and gleaming colors will compliment other appliances and most cabinetry. Allasio features a 3-speed, 300 CFM internal blower, which provides sufficient ventilating power for most kitchens. The attractive, stainless steel look, multiple backlight color touch controls illuminate in elegant white, green, blue or red when activated and allows the user to manage blower speeds and dual LED lamps. Multiple clicking sound options are also available.

Dishwasher-safe anodized aluminum mesh filters are easy to clean and a snap to remove and replace. Available in 30" or 36" widths, Allasio is designed for standard ducted installation, and can be installed as a recirculating system, using the Recirculating Kit.



	EAL330S2	EAL336S2
A	30" (76.2 cm)	36" (91.4 cm)
B	20" (50.8 cm)	
C	4 3/4" (12 cm)	
D	2 1/2" (5.7 cm)	
E	3 1/4" x 10" (8.3 x 25.4 cm)	
F	5 1/8" (13 cm)	

COMFORT SERIES  
**ALLASIO**  
 SPECIFICATIONS



Width:	30" UNIT	36" UNIT
Model:	EAL330S2	EAL336S2
Dimensions:	30" W x 20" D x 4 3/4" H	36" W x 20" D x 4 3/4" H
Blower Type(internal):**	300 CFM (3- speed)	
Sones (Noise):**	5.2 Sones	
Finish:	Stainless Steel	
Controls:	Electronic Touch Controls with Adjustable Color Backlight	
Illumination:	2 LED, 2.1 W, 3000 K	
Grease Filter:	(2) Dishwasher - safe, Anodized Aluminum Mesh Filter	
Duct Transition:	3 1/4 x 10" (Top or Rear), or 7" round (sold separately)	
Installation Type:	Ducted or Recirculating (Kit sold separately)	
Electrical:	120 V - 60 Hz, 255 W	
KITS:		
Recirculating Kit	KIT02178 (Contains 2 Carbon Filters & Clips)	KIT02179 (Contains 2 Carbon Filters & Clips)
Upgrade Filter Kit:	GRI0131086A (Contains 1 baffle slot filter)	GRI0131087A (Contains 1 baffle slot filter)
Non return valve Kit:	KIT02723 (Back Draft Damper 7" Round)	
WARRANTY:***	Two (2) Years Parts & In-Home Labor. Earn an additional One (1) Year of Parts & In-Home Labor by registering on elica.com.	

## PLUS FEATURES



**3X LAYER GREASE FILTER** - Elica aluminum mesh filters are a step above competition, featuring triple layered, anodized aluminum that is woven into a highly dense mesh. The thick mesh captures more grease, anodization helps resist staining and provides durability to repeated cleanings in the dishwasher.



**LED LIGHT** - LED lighting is undoubtedly the smartest solution in terms of energy saving. Expected life is over 20,000 hours, and should last the full life of the hood.



**CFM REDUCTION** - CFM Reduction System (CRS), is an exclusive feature to Elica hoods, which enables the user to reduce the maximum blower CFM, to meet local code requirements.



HVI Certified Ratings	High Speed	Working Speed	Duct Size
CFM	190	120	3.25 x 10" <small>(Vertical)</small>
Sones	5	2	3.25 x 10" <small>(Vertical)</small>

\* The product images shown are for illustration purposes only and may not be an exact representation of the product.

\*\* Blower performance indicates the performance of the blower by itself. Performance claims are not HVI certified but were established in accordance with HVI Standardized test procedure. For Certified Ratings, please refer to HVI Certified Product Directory. Electric Ratings are declared according to UL.

\*\*\* For valid warranty extension, register within 3 months from purchase. For USA & Canada Users Only.