

## 30" Built-In Microwave Oven with Drop-Down Door

Built-In Microwave

Available Products: EMBD3010AS

Available Colors: Stainless Steel

Version: 08/22



### Product Specifications

#### Cooking Controls

Convection	Yes
Defrost Weight	Yes
Number of Power Levels	10
Cooking Power	1000 Watts

#### Microwave Cooking

Auto Cook	Yes
Sensor Cooking	Yes
Sensor Reheat	Yes

#### Additional Settings

Clock Display On / Off	Yes
Setting Turntable On / Off	No
Timer On / Off	Yes

#### Exterior

Door Swing	Drop-Down Door
------------	----------------

#### Dimensions and Volume

Height	19 19/32"
Width	29 13/16"
Depth	23 5/32"
Depth With Door 90° Open	35 15/32"
Microwave Interior Height	9.84275"
Microwave Interior Width	16 17/32"
Microwave Interior Depth	16 17/32"
Microwave Capacity	1.6 Cu. Ft.

#### Installation

Power Supply Connection Location	Top Center
----------------------------------	------------

#### Safety Certifications and Approvals

UL Listed	Yes
cUL Listed	Yes

#### Oven

Convection Type	Fan
Convection Element	1,750 Watts

#### Convection Cooking

Combi Cooking - Bake	Yes
Combi Cooking - Roast	Yes
Convection Cooking - Roast	Yes

#### Display

Control Location	Top
------------------	-----

#### Internal Specifications

Interior Color	Stainless Steel
Interior Light Quantity	1
Interior Light Type	LED
Interior Light Wattage	1.5 Watts
Rack	Yes
Turntable Diameter	14 19/100"

#### Electrical Specifications

Amps @ 120 Volts	20 Amps
Minimum Circuit Required	20 Amps
Voltage Rating	120 V

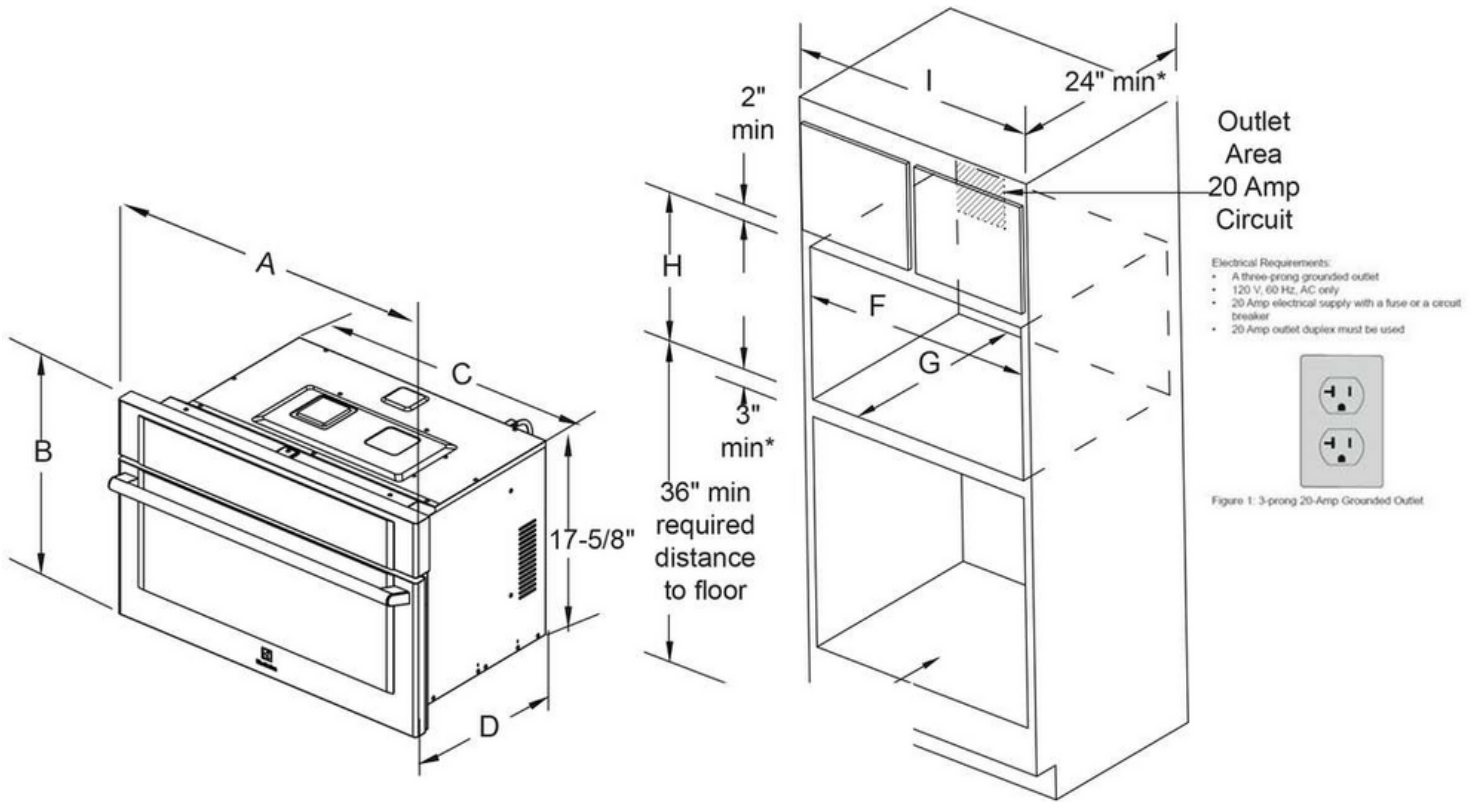
#### General Specifications

Prop 65 Label	Yes
Warranty - Labor	1 Year
Warranty - Parts	1 Year

#### Connectivity

Wi-Fi Enabled	No
---------------	----

## Installation Diagram



PRODUCT DIMENSIONS						
MODEL	A	B	C	D		
Convection Microwave Oven	29-13/16	19	24-5/8	23		
CUTOUT DIMENSIONS AND CABINET WIDTH						
MODEL	F		G	H		I
	Min.	Max.	Min	Min.	Max.	Min.
Convection Microwave Oven	28	28-3/8	23	17-3/4	18	30-1/8

All dimensions are in inches (cm).