



30" Dual-Fuel Freestanding Range

Dual Fuel Range

Available Products: ECFD3068AS

Available Colors: Stainless Steel

Version: 08/22

Product Specifications

Cooktop

Cooking Surface Type	Gas
Grate Material	Cast Iron
Grate Quantity	3
Grate Style	Continuous
Sealed Burners	Yes

Cooking Controls

Bake	Yes
Bread Proof	Yes
Broil	Yes
Child Lock	Yes
Convection Bake	Yes
Convection Roast	Yes
Cook Time	Yes
Delay Start	Yes
Keep Warm	Yes
Kitchen Timer	Yes
Probe	Yes
Steam Clean	Yes
Temperature Display	Yes

Controls

Sabbath Mode	Yes
--------------	-----

Dimensions and Volume

Width	29.938"
Depth	25 7/8"
Depth With Door 90° Open	46.688"
Oven Interior Height	17 24/100"
Oven Interior Width	24 1/4"
Oven Interior Depth	16"
Minimum Height	35 3/8"
Maximum Height	36 5/8"
Oven Capacity	4.6 Cu. Ft.

Installation

Power Cord Included	Yes
Adjustable Leveling Legs	Yes
LP Conversion Kit Included	Yes
Included Power Cord Type	4-Prong Plug

Cooktop Performance

Right Rear Element Burner	12,000 BTU
Left Rear Element Burner	12,000 BTU
Center Element Burner	10,000 BTU
Right Front Element Burner	18,000 / 750 BTU Dual
Left Front Element Burner	18,000 / 750 BTU Dual

Oven

Bake Element Type	Hidden
Bake Element	3,300 Watts
Broil Element	3,300 Watts
Convection Type	True
Convection Element	2,950 Watts
Rack Position Type	Ladder
Number of Rack Positions	6
Rack Type 1	Flat
Rack Type 1 Quantity	2
Rack Type 2	Glide
Rack Type 2 Quantity	1
Oven Interior Color	Gray
Window Type	Extra Large Window
Oven Light Type	Halogen
Oven Light Quantity	2
Oven Light Watts	40 Watts
Number of Convection Fans	1

Display

Display Type	LED
Control Location	Front

Electrical Specifications

Minimum Circuit Required	30 Amps
Voltage Rating	240 V

General Specifications

Prop 65 Label	Yes
Warranty - Labor	1 Year
Warranty - Parts	1 Year

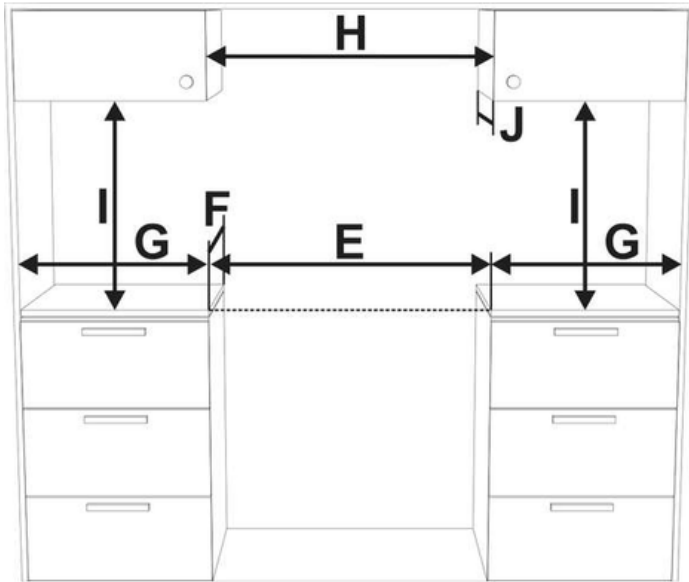
Safety Certifications and Approvals

CSA Listed

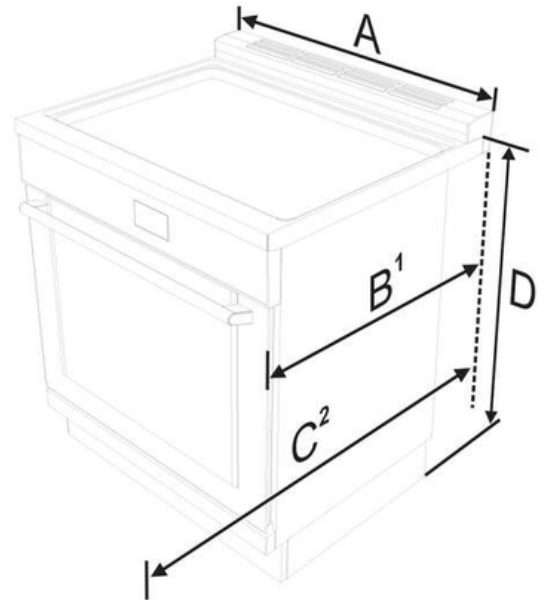
Yes

RoHS

Yes

Installation Diagram

E	min. 762 mm	min. 30"
F	628 mm	24" 5/8
G	min. 508 mm	min. 20"
H	min. 762 mm	min. 30"
I	min. 457 mm	min. 18"
J	max. 330 mm	max. 13"



A	760 mm	29" 15/16"
B¹	min: 654 mm max: 658 mm	min: 25 3/4" max: 25 14/16"
C²	1186 mm	46 11/16"
D	min: 898 mm max: 930 mm	min: 35 6/16" max: 36 5/8"

30" Dual-Fuel Freestanding Range

Dual Fuel Range

Available Products: ECFD3068AS

Available Colors: Stainless Steel

Version: 08/22

We reserve the right to change specifications or discontinue models without notice.

Electrolux Major Appliances, N.A.

USA • 10200 David Taylor Drive • Charlotte, NC 28262 • Charlotte, NC 28262 • 1-877-4electrolux (1-877-435-3287) • electrolux.com/en

CANADA • 5855 Terry Fox Way • Mississauga, ON L5V 3E4 • 1-800-265-8352 • electrolux.ca