

# Built-In All Refrigerator

Professional Series

**E32AR85PQS**



## PRODUCT DIMENSIONS

Height (Cabinet Incl. Hinge)	70-5/8"
Width	32"
Depth (Incl. Door)	26-1/2"

## MORE EASY-TO-USE FEATURES

### PureAdvantage® Air Filter

Keeps clean, filtered air circulated throughout to prevent odor transfer.

### Custom-Design™ Glass Shelves

Extra-wide glass shelves provide enough space for large platters and are designed to keep spills contained, making them easy to clean.

### Perfect Bins™ Door Storage

Convenient door storage bins tilt-out for easy access and can even be removed for even easier access.

### Smooth-Glide® Storage Drawer

Drawer glides out smoothly and fully extends giving you easy access to what's inside.

### Alarm System

Notifies you if there's been a power failure, if a door stays open longer than five minutes and if the interior temperature of the refrigerator rises above 56 degrees for more than 60 minutes.

### Luxury-Quiet™ Design

Designed for consistently quiet operation.

### Louvered Trim Kits

For an integrated look.

Available In:



Stainless  
(S)

## Optional Trim Kits

### 84" Louvered Trim Kits

(ECP8436SS & ECP8472SS)

Designed as a replacement option for the Sub-Zero® brand 650 Series models and for new-build installation.

### 72" Collar Trim Kits

(ECP7236SS & ECP7272SS)

Designed as a replacement option for the Sub-Zero® brand 601 Series models and for new-build installation.

### 79" Louvered / 75" Collar Trim Kits<sup>1</sup>

(TRIMKITSS1 & TRIMKITSS2)

Designed as a replacement option for Electrolux ICON® brand models E32AR75FPS and E32AF75FPS and for new-build installation.

## Signature Features



### Custom-Fit™ Capacity

More space inside to store whatever you need, including large platters.



### Custom-Design™ Organization System

The ultimate organization system features Smooth-Glide® drawers with removable/adjustable dividers and two mini baskets and Perfect Door Storage Bins.



### Smooth-Glide® Crisper Drawers

Crisper Drawers smoothly glide out and keep even the most delicate fruits and vegetables fresh with adjustable humidity control and minimal temperature variation.



### Theatre Lighting

Transition LED lighting gradually illuminates the interior with soft but ample light as you open the door.

<sup>1</sup>Kits are designed to fit either 79" or 75" opening height. For 79" cutout opening height, installation requires use of top louvered grille; for 75" cutout opening height, installation requires use of top trim piece and shortening of both side trim pieces.  
Sub-Zero® is a registered trademark of Sub-Zero, Inc.

## BUILT-IN ALL REFRIGERATOR

### CAPACITIES

Volume	18.6 Cu. Ft.
Shelf Area	22.4 Sq. Ft.

### EXTERIOR

Professional Door and Handle Design	Yes
Hidden Door Hinge Covers	Yes

### INTERIOR CONVENIENCES

PureAdvantage® Air Filter	Yes
Air Filter Indicator	Yes
Electronic Control Lock	Yes
Custom-Design™ Glass Shelves	2 Adjustable
Smooth-Glide® Full-Extension Deli Drawer/Cool Zone™	1
Smooth-Glide® Full-Extension Crispers/Fresh Zone™	1
3-Position Adjustable Crisper Dividers	2
Removable Crisper Trays	2
Full-Width 1-Gallon Storage with Tall Bottle Retainer	1
Clear 2-Liter Adjustable Door Bins	3
Perfect Bins™ Door Storage	2
Dairy Door	Clear
Theatre LED Lighting	Yes
Custom-Set™ Digital Temperature Control System	Yes
Temp Alarm System/Door Ajar Alarm/Power Failure Alarm	Yes
Door Closer	Yes
Luxury-Quiet™ Design	Yes

### ADDITIONAL FEATURES

Sabbath Mode (Star-K® Certified)	Yes
----------------------------------	-----

### ACCESSORIES

84" Louvered Trim Kits:	Single – PN# ECP8436SS	Optional
	Double – PN# ECP8472SS	Optional
72" Collar Trim Kits:	Single – PN# ECP7236SS	Optional
	Double – PN# ECP7272SS	Optional
79" Louvered/75" Collar Trim Kits <sup>1</sup> :	Single – PN# TRIMKITSS1	Optional
	Double – PN# TRIMKITSS2	Optional

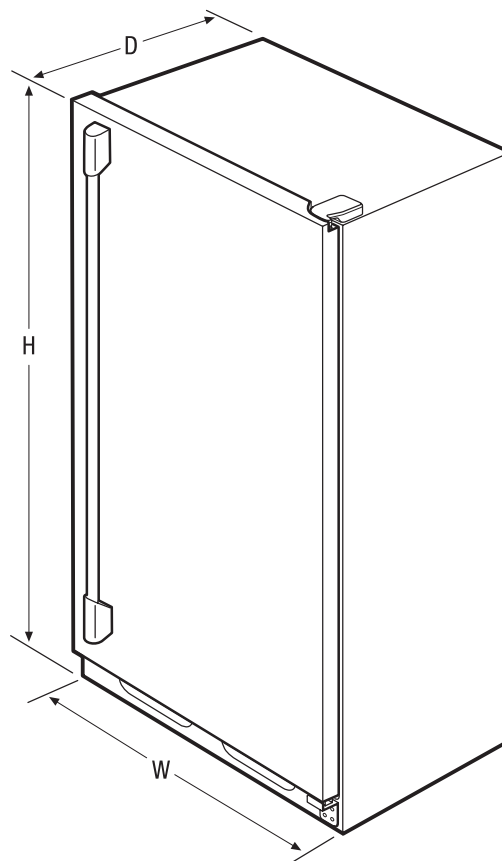
### SPECIFICATIONS

Power Supply Connection Location	Right Bottom Rear
Voltage Rating	115V/60 Hz
Connected Load (kW Rating) @ 115 Volts <sup>2</sup>	0.55
Minimum Circuit Required (Amps)	20
Shipping Weight (Approx.)	250 Lbs.

<sup>1</sup>Kits are designed to fit either 79" or 75" opening height. For 79" cutout opening height, installation requires use of top louvered grille; for 75" cutout opening height, installation requires use of top trim piece and shortening of both side trim pieces.

<sup>2</sup>An electrical supply with grounded three-prong receptacle is required. The power supply circuit must be installed in accordance with current edition of National Electrical Code (NFPA 70) and local codes & ordinances.

NOTE: Always consult local and national electric and plumbing codes. Refer to Product Installation Guide for detailed installation instructions on the web at [electroluxicon.com](http://electroluxicon.com). Specifications subject to change.



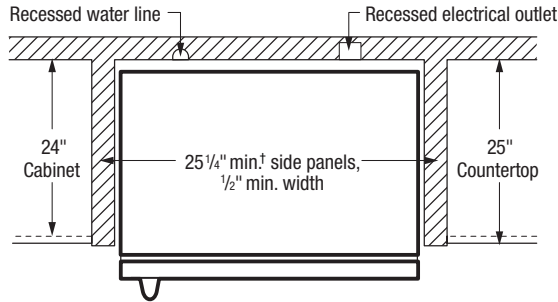
### PRODUCT DIMENSIONS

Height (Including Door)	71-3/8"
(Cabinet Including Hinge)	70-5/8"
Width	32"
Depth (Including Door)	26-1/2"
(With Door Open 90°)	57-3/8"

## Electrolux Major Appliances, N.A.

USA • 10200 David Taylor Drive • Charlotte, NC 28262 • 1-877-4electrolux (1-877-435-3287) • [electroluxicon.com](http://electroluxicon.com)  
 CANADA • 5855 Terry Fox Way • Mississauga, ON L5V 3E4 • 1-800-265-8352 • [electroluxicon.ca](http://electroluxicon.ca)



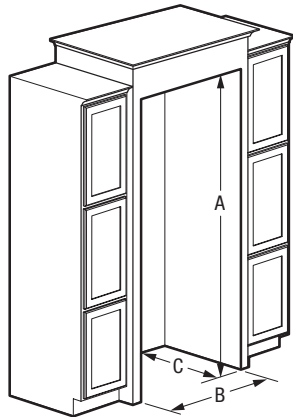


## Optional Trim Kits

Optional Trim Kits available for built-in installation with All Refrigerator and/or All Freezer – requiring different cutout dimensions.

Designed as built-in replacement option for any model(s) having pre-existing opening(s) with same cutout dimensions as stated for specific Trim Kit or for new-build installation.

For Trim Kit specifications and drawings, refer to model-specific Trim Kit Installation pages on web for required cutout dimensions and installation planning information. For detailed Trim Kit installation, refer to instructions packed with kit or on web.



**84" Louvered Trim Kits**  
Single (PN# ECP8436SS)  
Double (PN# ECP8472SS)

**72" Collar Trim Kits**  
Single (PN# ECP7236SS)  
Double (PN# ECP7272SS)

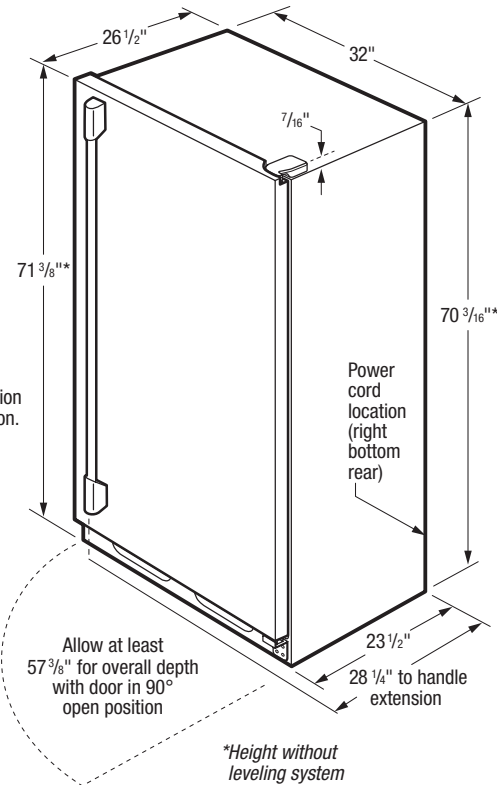
**79" Louvered/75" Collar Trim Kits**  
Single (PN# TRIMKITSS1)  
Double (PN# TRIMKITSS2)

## All Refrigerator Cutout Dimensions

**Built-In Installation (without optional Trim Kit)**

**Single Unit** (A) 72" (B) 33" (C) 25 1/4" min.†  
**Double Unit (Side-by-Side)** (A) 72" (B) 66" (C) 25 1/4" min.†

† Minimum depth from face of cabinet side panels and requires recessed electrical outlet and water line.



\*Height without leveling system

## 32" Built-In All Refrigerator Specifications

- Product Weight – 240 Lbs.
- An electrical supply with grounded three-prong receptacle is required. The power supply circuit must be installed in accordance with current edition of National Electrical Code (NFPA 70) and local codes & ordinances.
- Voltage Rating – 115V/60Hz
- Connected Load (kW Rating) @ 115 Volts = 0.55kW
- Amps @ 115 Volts = 5 Amps
- Always consult local and national electric codes.
- Minimum 25-1/4" depth requires recessed electrical outlet.
- To allow for ease of installation, tape excess power cord to back of unit.
- When installing refrigerator adjacent to wall, cabinet or other appliance that extends beyond front edge of unit, 20" minimum clearance recommended to allow for optimum 140° door swing, providing complete drawer/crisper access and removal. (Absolute 4" minimum clearance will ONLY allow for 90° door swing which will provide limited drawer/crisper access with restricted removal.)
- Minimum 3/8" clearance required for sides and top of refrigerator or freezer with 1" clearance at rear to allow for ease of installation, proper air circulation, and plumbing / electrical connections.
- To ensure optimum performance, (do not install in areas where temperature drops below 55° F or rises above 110° F) and avoid installing in direct sunlight or close proximity to range, dishwasher or other heat source.
- Refrigerator must be placed on level surface of hard material, same height as flooring. Surface must support approximately 800 lbs. when fully loaded. Unit equipped with 4-point leveling.

## "Built-In Look" Specifications

- Minimum opening of 72" H x 33" W x 25-1/4" D required for single-unit "Built-In Look" installation; 66" W required for double-unit installation. (72" H to be measured from finished floor to underside of soffit or overhead cabinet.)

## Optional Trim Kit Specifications

For planning information, refer to model-specific Trim Kit Installation pages on web.

- Optional Trim Kits available for built-in installation with All Refrigerator and/or All Freezer — requiring different cutout dimensions.
- Designed as built-in replacement option for any model(s) having pre-existing opening(s) with same cutout dimensions as stated for specific Trim Kit or for new-build installation.
- Remove all wall/floor molding prior to built-in installation.
- For detailed Trim Kit installation, refer to instructions packed with kit or on web.

**Note:** For planning purposes only. Refer to Product Installation Guide on the web at [electroluxicon.com](http://electroluxicon.com) for detailed instructions.

## Optional Accessories

- 84" Louvered Trim Kits:  
Single – (PN# ECP8436SS), Double – (PN# ECP8472SS).
- 72" Collar Trim Kits:  
Single – (PN# ECP7236SS), Double – (PN# ECP7272SS).
- 79" Louvered/ 75" Collar Trim Kits:  
Single – (PN# TRIMKITSS1), Double – (PN# TRIMKITSS2).



## Electrolux Major Appliances, N.A.

USA • 10200 David Taylor Drive • Charlotte, NC 28262 • 1-877-4electrolux (1-877-435-3287) • [electroluxicon.com](http://electroluxicon.com)  
CANADA • 5855 Terry Fox Way • Mississauga, ON L5V 3E4 • 1-800-265-8352 • [electroluxicon.ca](http://electroluxicon.ca)