

Danby^{*} DIPLOMAT^{*}

CHEST FREEZER

Owner's Manual.....1 - 14

CONGÉLATEUR HORIZONTAL

Manuel du propriétaire.....15 - 28

CONGELADOR HORIZONTAL

Manual del propietario.....29 - 42

MODEL • MODÈLE • MODELO

DCF035A6WM

DCF050A6WM

DCF070A6WM

DCF100A6WM



www.Danby.com



Danby Products Limited, Guelph, Ontario, Canada N1H 6Z9

Danby Products Inc. Findlay, Ohio, U.S.A. 45840

Welcome to the Danby family.

We are proud of our quality products and we believe in dependable service. We suggest that you read this owner's manual before plugging in your new appliance as it contains important operation information, safety information, troubleshooting, and maintenance tips to ensure the reliability and longevity of your appliance.

You are entitled to the warranty coverage as described in the owner's manual provided with your new appliance.

1. Please write down your appliance information below. **You must keep the original proof of purchase receipt to validate and receive warranty services.**
2. Register your product online and receive a **FREE 2 MONTH WARRANTY EXTENSION** after filling out a product survey, at www.danby.com/support/product-registration/

Model Number: _____

Serial Number: _____

Date of Purchase: _____

Need Help?

1. Read your Owner's Manual for installation help, troubleshooting, and maintenance assistance.
2. Visit www.Danby.com to access self-service tools, FAQs and much more by searching your model number in the search bar.
3. For the **Quickest Customer Service**, please fill out the web form at www.danby.com/support. Your submission will go directly to an expert on your particular appliance. Our average response times are between 20 minutes and 2 hours, during EST business hours.
4. Call **1-800-263-2629** - please note that during peak hours, hold times can exceed one hour.



Important Safety Information

READ AND FOLLOW ALL SAFETY INSTRUCTIONS

SAFETY INSTRUCTIONS

DANGER: Risk of fire or explosion. Flammable refrigerant used. Do not puncture refrigerant tubing.

- Ensure that servicing is done by factory authorized service personnel, to minimize product damage or safety issues.
- Consult repair manual or owner's guide before attempting to service this product. All safety precautions must be followed.
- Dispose of this appliance properly in accordance with federal or local regulations.
- Follow handling instructions carefully.
- Do not store explosive substances such as aerosol cans with a flammable propellant in this appliance.

WARNING:

- Keep ventilation openings clear of obstruction.
- Do not use mechanical devices or other means to accelerate the defrosting process, other than those recommended by the manufacturer.
- Do not damage the refrigerant circuit.
- Do not use electrical appliances inside the food storage compartments of the appliance, unless they are of the type recommended by the manufacturer.

CAUTION: Children should be supervised to ensure that they do not play with the appliance.

SAVE THESE INSTRUCTIONS!



Important Safety Information

READ AND FOLLOW ALL SAFETY INSTRUCTIONS

DANGER: Risk of child entrapment. Before throwing away an old appliance:

- Remove the door or lid.
- Leave shelves in place so that children may not easily climb inside.

This appliance is not intended for use by persons (including children) whose physical, sensory or mental capabilities may be different or reduced, or who lack experience or knowledge, unless such persons receive supervision or training to operate the appliance by a person responsible for their safety.

This appliance is intended to be used in household and similar applications such as:

- Staff kitchen areas in shops, offices and other working environments;
- Farm houses and by clients in hotels, motels and other residential type environments;
- Bed and breakfast type environments;
- Catering and similar non-retail applications.

IMPORTANT: Never use electrical appliances during defrosting. Do not use pointed or sharp objects to remove frost as this will damage the refrigerant lines. If these lines are accidentally pierced it will render the freezer inoperable and void the manufacturer's warranty.

SAVE THESE INSTRUCTIONS!



Important Safety Information

READ AND FOLLOW ALL SAFETY INSTRUCTIONS

GROUNDING INSTRUCTIONS

This appliance must be grounded. Grounding reduces the risk of electrical shock by providing an escape wire for the electrical current.

This appliance has a cord that has a grounding wire with a 3-prong plug. The power cord must be plugged into an outlet that is properly grounded. If the outlet is a 2-prong wall outlet, it must be replaced with a properly grounded 3-prong wall outlet. The serial rating plate indicates the voltage and frequency the appliance is designed for.

WARNING - Improper use of the grounding plug can result in a risk of electric shock. Consult a qualified electrician or service agent if the grounding instructions are not completely understood, or if doubt exists as to whether the appliance is properly grounded.

- **Do not connect your appliance to extension cords or together with another appliance in the same wall outlet.**
- Do not splice the power cord.
- Do not under any circumstances cut or remove the third ground prong from the power cord.
- Do not use ungrounded (two prong) adapters.

If the power supply cord is damaged, it must be replaced by the manufacturer, its service agent or similar qualified person in order to avoid hazard.

SAVE THESE INSTRUCTIONS!

INSTALLATION INSTRUCTIONS

LOCATION

- Two people should work together to move the freezer. Be careful and lift with your knees, not your back!
- Remove all packaging before installation. Wipe the outside with a soft, dry cloth and the inside with a warm, wet cloth.
- Do not place the freezer in direct sunlight or near sources of heat, like a stove or heater, as this can increase electrical consumption. Extreme cold ambient temperatures can cause the freezer to perform improperly.
- Do not use the freezer near water, like in a wet basement or near a sink.
- Wait approximately 4 - 6 hours before connecting the freezer to a power source to reduce the possibility of a malfunction in the cooling system from handling during transportation.
- This freezer is intended for free-standing installation only and is not intended to be built into a cabinet or counter. Building in this freezer can cause it to malfunction.

GARAGE READY

This freezer is Garage Ready! It is intended for indoor household and garage use. Freezers are tested to perform in temperatures ranging from -17 to 43°C / 0 to 110°F. It is not designed for outside installation, including anywhere that is not temperature controlled.

OPERATING INSTRUCTIONS

DIMENSIONS

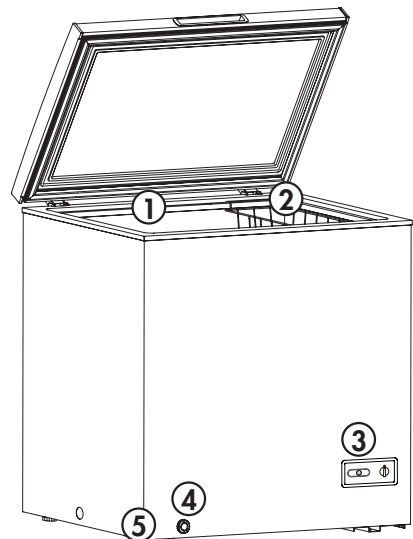
Consult the chart below to find the dimensions for your freezer model. Allow 12.7 cm (5 inches) of space between the back and sides of the freezer for proper air ventilation.

Model	Dimensions
DCF035A6WM	Width: 51.5 cm / 20.3 inches Height: 84.5 cm / 33.3 inches Depth: 55.6 cm / 21.9 inches
DCF050A6WM	Width: 63.7 cm / 25.1 inches Height: 84.7 / 33.3 inches Depth: 55.6 cm / 21.9 inches
DCF070A6WM	Width: 82.7 cm / 32.6 inches Height: 84.7 cm / 33.3 inches Depth: 55.6 cm / 21.9 inches
DCF100A6WM	Width: 111.6 cm / 43.9 inches Height: 84.5 cm / 33.3 inches Depth: 64.4 cm / 25.4 inches

FEATURES

1. Rust Resistant Interior
2. Wire Basket
3. Thermostat Dial
4. Defrost Drain
5. Leveling Legs

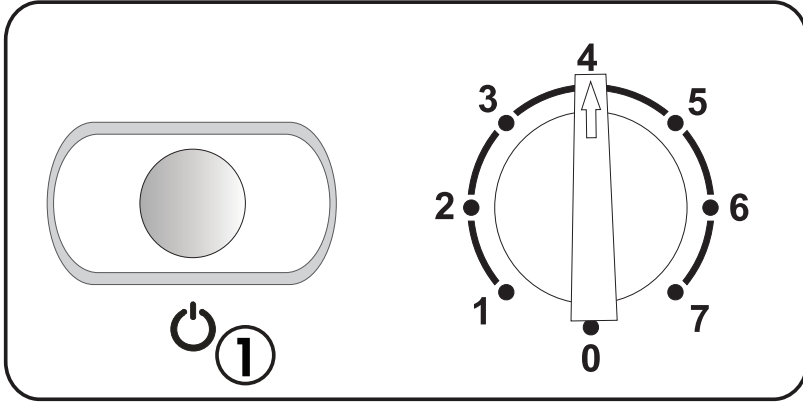
Note: Images are for instructional purposes only. Your freezer may appear slightly different.



OPERATING INSTRUCTIONS

TEMPERATURE CONTROL

1. Power light: Illuminates when the freezer is connected to a working power source.



Turn the thermostat dial on the front of the cabinet to set the temperature.

- 1 is the warmest setting.
- 7 is the coldest setting.
- 4 is recommended for regular home use.
- 0 will turn off the freezer.
- Temperature range: $-12 \sim -24^{\circ}\text{C}$ / $10.4 \sim -11.2^{\circ}\text{F}$

Important:

- The temperature inside the freezer can vary based on the ambient room temperature, the amount that the lid is opened and the amount of fresh food that has recently been added.
- Do not overload the freezer as this can affect performance.
- Do not freeze large quantities of fresh food at the same time.
- Do not add warm food to the freezer as this will increase frost formation.

OPERATING INSTRUCTIONS

DEFROSTING

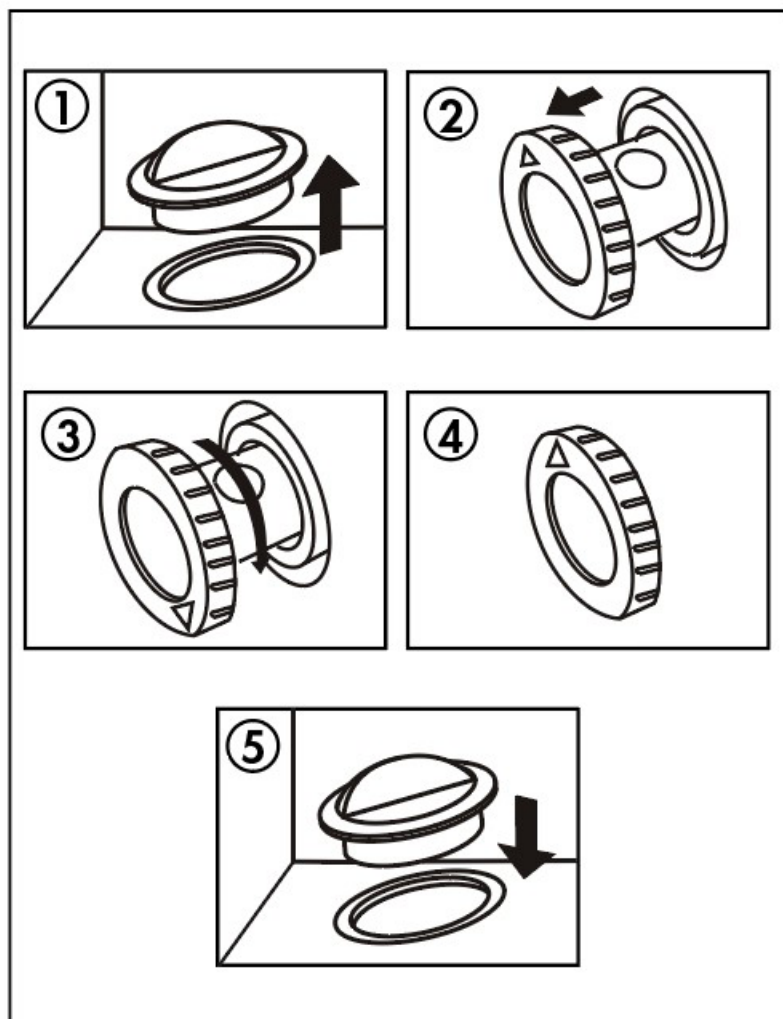
The freezer should be defrosted twice a year or when roughly a 1/4 inch layer of frost has formed on the cabinet walls. Turn the thermostat dial to "0" and unplug the power cord. Remove all contents and leave the lid open. Follow the instructions below:

1. The interior defrost drain is located on the inside floor of the cabinet. Remove the cover from the defrost drain. Defrosted water will flow into the hole and out through the exterior defrost drain cap.
2. The exterior defrost drain cap is located on the front of the cabinet. Gently pull out the exterior drain cap approximately 20 - 25mm (0.8 to 1 inch) until the water hole is visible.
3. Twist the exterior drain cap so that the arrow points downward. Place a bucket or pan under the drain cap to catch defrosted water. Check the freezer regularly during defrosting to make sure that the water is not overflowing.
4. When all water has been drained, twist the drain cap until the arrow is pointing upwards and then push inward until it is flush with the cabinet.
5. Replace the cover in the interior defrost drain. Make sure the interior is dry before you plug the freezer in.

After defrosting is complete, set the temperature control to maximum for 2 to 3 hours before returning to the desired temperature setting.

See the next page for images of the defrost drain for your freezer model.

OPERATING INSTRUCTIONS



CARE & MAINTENANCE

CLEANING

- Unplug the freezer before cleaning.
- Clean the freezer with a soft, damp cloth and some mild detergent. Allow the interior of the freezer to completely dry before plugging it back in and returning food items.
- It is important to clean the area where the lid seals against the cabinet to ensure a tight seal. Clean this area well and make sure it is completely dry.
- Do not use cleaners containing ammonia or alcohol as these will damage the appearance of the freezer. Never use any commercial or abrasive cleaners.
- Never use sharp objects on any part of the freezer.

POWER FAILURE

Most power failures are corrected within a few hours and should not affect the freezer. Make sure to minimize the number of times the lid is opened. If the power is going to be off for a longer period of time, take steps to protect your contents such as adding ice to the freezer or moving the contents to alternate storage. Wait 3 to 5 minutes before attempting to restart the freezer after a power failure to allow the circuit board to reboot.

ENERGY SAVING TIP

Place the freezer in the coolest area of the room, away from heat sources, and out of direct sunlight. Do not overload the freezer or block any ventilation openings.

CARE & MAINTENANCE

VACATION

You may leave the freezer running during short vacations. If the freezer will not be used for more than a few weeks, unplug it and remove all items. Defrost, clean and dry the interior thoroughly. To prevent odor and mold growth, leave the lid open slightly, blocking it open if necessary.

MOVING

- Remove all items and ensure the interior is clean and dry.
- Tape the lid shut.
- Be sure the freezer stays in the upright position during transportation.
- Protect the outside of the freezer with a blanket or similar item.
- If the freezer is placed on its back or side during transportation, wait 4 - 6 hours before plugging it in to reduce the possibility of a malfunction in the cooling system.

DISPOSAL

This freezer may not be treated as regular household waste, it should be taken to the appropriate waste collection point for recycling of electrical components. For information on local waste collection points, contact your local waste removal agency or government office. Disposal of this freezer should be in accordance with federal and local regulations.

FREQUENTLY ASKED QUESTIONS

The freezer is making a gurgling noise; why?

This noise is completely normal. The refrigerant inside the freezer will make a gurgling noise as it changes from a liquid to a gas and back again.

What is the electrical rating?

This information can be found on a sticker on the back or side of the cabinet.

How much does it cost to run the freezer per year?

Please refer to the energy guide found at www.Danby.com.

Can I use an extension cord?

No, an extension cord may not be used.

Can I use this freezer in a garage?

Yes, this freezer is Garage Ready! It is intended for indoor household and garage use. Freezers are tested to perform in temperatures ranging from -17 to 43°C / 0 to 110°F. It is not designed for outside installation, including anywhere that is not temperature controlled.

I am having trouble opening the lid; why?

The freezer lid may be difficult to open immediately after closing it. This is normal and is due to the pressure difference between the cold interior of the freezer and the warm air that entered when it was opened. The pressure will equalize within a few minutes.

TROUBLESHOOTING

PROBLEM	POSSIBLE CAUSE AND SOLUTIONS
No power	<ul style="list-style-type: none">• A fuse may be blown or the circuit breaker tripped; check the fuse box or circuit breaker• Plug not fully inserted into the wall outlet; make sure the power cord is plugged in
Internal temperature not cold enough	<ul style="list-style-type: none">• Temperature setting is too warm; turn the temperature setting down• The lid is not shut properly or opened excessively; make sure the lid is completely closed• Recently added a large quantity of warm food to the cabinet; remove some of the new items until the freezer cools down• Close proximity to heat source or direct sunlight; move the freezer to another area• Ambient temperature or humidity is very high; move the freezer to another area
Appliance runs continuously	<ul style="list-style-type: none">• Temperature setting is too cold: turn the temperature setting up• The lid not shut properly or opened excessively: make sure the lid is completely closed• Recently added a large quantity of warm food to the cabinet: remove some of the new items until the freezer cools down• Close proximity to heat source or direct sunlight; move the freezer to another area• Ambient temperature or humidity is very high; move the freezer to another area

LIMITED "CARRY IN" WARRANTY

This quality product is warranted to be free from manufacturer's defects in material and workmanship, provided that the unit is used under the normal operating conditions intended by the manufacturer.

This warranty is available only to the person to whom the unit was originally sold by Danby Products Limited (Canada) or Danby Products Inc. (U.S.A.) (hereafter "Danby") or by an authorized distributor of Danby, and is non-transferable.

TERMS OF WARRANTY

Plastic parts are warranted for thirty (30) days from the date of purchase, with no extensions provided.

First 12 months: During the first **twelve (12) months**, any functional parts of this product found to be defective, will be repaired or replaced, at warrantor's option, at no charge to the original purchaser.

To obtain service: Contact the dealer where the unit was purchased, or contact the nearest authorized Danby service depot, where service must be performed by a qualified service technician. If service is performed on the unit by anyone other than an authorized service depot, all obligations of Danby under this warranty shall be void.

It is the responsibility of the purchaser to transport the appliance to the nearest authorized service depot. Transportation charges to and from the service location are not protected by this warranty and are the responsibility of the purchaser

Nothing within this warranty shall imply that Danby will be responsible or liable for any spoilage or damage to food or other contents of this appliance, whether due to any defect of the appliance, or its use, whether proper or improper.

EXCLUSIONS

Save as herein provided, by Danby, there are no other warranties, conditions, representations or guarantees, express or implied, made or intended by Danby or its authorized distributors and all other warranties, conditions, representations or guarantees, including any warranties, conditions, representations or guarantees under any Sale of Goods Act or like legislation or statute is hereby expressly excluded. **Save as herein provided, Danby shall not be responsible for any damages to persons or property, including the unit itself, howsoever caused or any consequential damages arising from the malfunction of the unit and by the purchase of the unit, the purchaser does hereby agree to indemnify and hold harmless Danby from any claim for damages to persons or property caused by the unit.**

GENERAL PROVISIONS

No warranty or insurance herein contained or set out shall apply when damage or repair is caused by any of the following:

- 1) Power failure.
- 2) Damage in transit or when moving the appliance.
- 3) Improper power supply such as low voltage, defective house wiring or inadequate fuses.
- 4) Accident, alteration, abuse or misuse of the appliance such as inadequate air circulation in the room or abnormal operating conditions (i.e.. extremely high or low room temperature).
- 5) Use for commercial or industrial purposes (i.e.. If the appliance is not installed in a domestic residence).
- 6) Fire, water damage, theft, war, riot, hostility, acts of God such as hurricanes, floods etc.
- 7) Service calls resulting in customer education.
- 8) Improper Installation (ie. Building-in of a free standing appliance or using an appliance outdoors that is not approved for outdoor application, including but not limited to: garages, patios, porches or anywhere that is not properly insulated or climate controlled).

Proof of purchase date will be required for warranty claims; retain bills of sale. In the event that warranty service is required, present the proof of purchase to our authorized service depot.

Bienvenue dans la famille Danby.

We are proud of our quality products and we believe in dependable service. We suggest that you read this owner's manual before plugging in your new appliance as it contains important operation information, safety information, troubleshooting, and maintenance tips to ensure the reliability and longevity of your appliance.

You are entitled to the warranty coverage as described in the owner's manual provided with your new appliance.

1. Veuillez noter ci-dessous les informations relatives à votre appareil. **Vous devez conserver la preuve d'achat originale pour valider et bénéficier des services de garantie.**
2. Enregistrez votre produit en ligne et recevez une **EXTENSION DE GARANTIE GRATUITE DE 2 MOIS** après avoir rempli une enquête sur le produit, sur www.danby.com/support/product-registration/

Numéro de modèle: _____

Numéro de série: _____

Date d'achat: _____

Besoin d'aide?

1. Lisez votre manuel du propriétaire pour obtenir de l'aide sur l'installation, le dépannage et l'assistance à la maintenance.
2. Visitez www.Danby.com pour accéder aux outils en libre-service, aux FAQ et bien plus encore en recherchant votre numéro de modèle dans la barre de recherche.
3. Pour un service client plus rapide, veuillez remplir le formulaire Web à l'adresse www.danby.com/support. Votre soumission ira directement à un expert sur votre appareil particulier. Nos temps de réponse moyens se situent entre 20 minutes et 2 heures, pendant les heures ouvrables EST.
4. Composez le **1-800-263-2629** - veuillez noter que pendant les heures de pointe, les temps d'attente peuvent dépasser une heure.



Informations de sécurité importantes

LISEZ ET SUIVEZ TOUTES LES INSTRUCTIONS DE SÉCURITÉ

CONSIGNES DE SÉCURITÉ

DANGER : Risque d'incendie ou d'explosion. Réfrigérant inflammable utilisé. Ne percez pas le tuyau de réfrigérant.

- Assurez-vous que l'entretien est effectué par le personnel de service agréé par l'usine, afin de minimiser les dommages au produit ou les problèmes de sécurité.
- Consultez le manuel de réparation ou le guide du propriétaire avant de tenter de réparer ce produit. Toutes les précautions de sécurité doivent être respectées.
- Jetez cet appareil correctement conformément aux réglementations fédérales ou locales.
- Suivez attentivement les instructions de manipulation.
- Ne stockez pas de substances explosives telles que des bombes aérosols avec un propulseur inflammable dans cet appareil.

ATTENTION :

- Gardez les ouvertures de ventilation dégagées de toute obstruction.
- N'utilisez pas d'appareils mécaniques ou d'autres moyens pour accélérer le processus de dégivrage, autres que ceux recommandés par le fabricant.
- Ne pas endommager le circuit frigorifique.
- N'utilisez pas d'appareils électriques à l'intérieur des compartiments de stockage des aliments de l'appareil, à moins qu'ils ne soient du type recommandé par le fabricant.

MISE EN GARDE : Les enfants doivent être surveillés pour s'assurer qu'ils ne jouent pas avec l'appareil.

CONSERVEZ CES INSTRUCTIONS!



Informations de sécurité importantes

LISEZ ET SUIVEZ TOUTES LES INSTRUCTIONS DE SÉCURITÉ

DANGER : Risque de piégeage d'enfants. Avant de jeter un vieil appareil :

- Retirez la porte ou le couvercle.
- Laissez les étagères en place afin que les enfants ne puissent pas grimper facilement à l'intérieur.

Cet appareil n'est pas destiné à être utilisé par des personnes (y compris des enfants) dont les capacités physiques, sensorielles ou mentales peuvent être différentes ou réduites, ou qui manquent d'expérience ou de connaissances, à moins que ces personnes ne soient supervisées ou formées à l'utilisation de l'appareil par une personne responsable de leur sécurité.

Cet appareil est destiné à être utilisé dans des applications domestiques et similaires telles que :

- Zones de cuisine du personnel dans les magasins, bureaux et autres environnements de travail ;
- Maisons de ferme et par des clients dans des hôtels, des motels et d'autres environnements de type résidentiel ;
- Environnements de type chambres d'hôtes ;
- Restauration et applications similaires non commerciales.

IMPORTANT : N'utilisez jamais d'appareils électriques pendant le dégivrage. N'utilisez pas d'objets pointus ou tranchants pour enlever le givre car cela endommagerait les conduites de réfrigérant. Si ces lignes sont accidentellement percées, cela rendra le congélateur inutilisable et annulera la garantie du fabricant.

CONSERVEZ CES INSTRUCTIONS!



Informations de sécurité importantes

LISEZ ET SUIVEZ TOUTES LES INSTRUCTIONS DE SÉCURITÉ

INSTRUCTIONS DE MISE À LA TERRE

Cet appareil doit être mis à la terre. La mise à la terre réduit le risque de choc électrique en fournissant un fil d'échappement pour le courant électrique.

Cet appareil est doté d'un cordon doté d'un fil de mise à la terre avec une fiche à 3 broches. Le cordon d'alimentation doit être branché dans une prise correctement mise à la terre. Si la prise est une prise murale à 2 broches, elle doit être remplacée par une prise murale à 3 broches correctement mise à la terre. La plaque signalétique de série indique la tension et la fréquence pour lesquelles l'appareil est conçu.

ATTENTION - Une mauvaise utilisation de la fiche de mise à la terre peut entraîner un risque d'électrocution. Consultez un électricien qualifié ou un agent de service si les instructions de mise à la terre ne sont pas complètement comprises ou si vous avez des doutes quant à la bonne mise à la terre de l'appareil.

- **Ne connectez pas votre appareil à des rallonges ou avec un autre appareil dans la même prise murale.**
- Ne pas épisser le cordon d'alimentation.
- Ne coupez ou ne retirez en aucun cas la troisième broche de terre du cordon d'alimentation.
- N'utilisez pas d'adaptateurs non mis à la terre (à deux broches).

Si le cordon d'alimentation est endommagé, il doit être remplacé par le fabricant, son agent de service ou une personne qualifiée similaire afin d'éviter tout danger.

CONSERVEZ CES INSTRUCTIONS!

INSTRUCTIONS D'INSTALLATION

EMPLACEMENT

- Deux personnes doivent travailler ensemble pour déplacer le congélateur. Soyez prudent et soulevez avec vos genoux, pas avec votre dos!
- Retirez tous les emballages avant l'installation. Essuyez l'extérieur avec un chiffon doux et sec et l'intérieur avec un chiffon chaud et humide.
- Ne placez pas le congélateur à la lumière directe du soleil ou à proximité de sources de chaleur, comme une cuisinière ou un radiateur, car cela peut augmenter la consommation électrique. Des températures ambiantes extrêmement froides peuvent entraîner un mauvais fonctionnement du congélateur.
- N'utilisez pas le congélateur près de l'eau, comme dans un sous-sol humide ou près d'un évier.
- Attendez environ 4 à 6 heures avant de connecter le congélateur à une source d'alimentation afin de réduire la possibilité d'un dysfonctionnement du système de refroidissement dû à la manipulation pendant le transport.
- Ce congélateur est destiné à une installation autonome uniquement et n'est pas destiné à être encastré dans une armoire ou un comptoir. L'installation de ce congélateur peut entraîner un dysfonctionnement.

PRÊT POUR LE GARAGE

Ce congélateur est prêt pour le garage ! Il est destiné à un usage domestique et de garage à l'intérieur. Les congélateurs sont testés pour fonctionner à des températures allant de -17 à 43°C / 0 à 110°F. Il n'est pas conçu pour une installation à l'extérieur, y compris partout où la température n'est pas contrôlée.

INSTRUCTIONS D'UTILISATION

DIMENSIONS

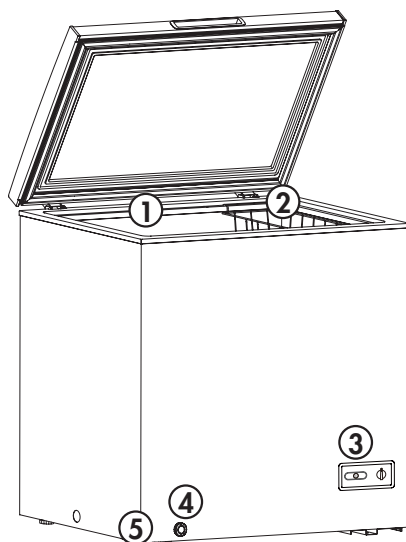
Consultez le tableau ci-dessous pour trouver les dimensions de votre modèle de congélateur. Laisser un espace de 12,7 cm (5 pouces) entre l'arrière et les côtés du congélateur pour une bonne ventilation.

Modèle	Dimensions
DCF035A6WM	Largeur : 51,5 cm / 20,3 pouces Hauteur : 84,5 cm / 33,3 pouces Profondeur : 55,6 cm / 21,9 pouces
DCF050A6WM	Largeur : 63,7 cm / 25,1 pouces Hauteur : 84,7 / 33,3 pouces Profondeur : 55,6 cm / 21,9 pouces
DCF070A6WM	Largeur : 82,7 cm / 32,6 pouces Hauteur : 84,7 cm / 33,3 pouces Profondeur : 55,6 cm / 21,9 pouces
DCF100A6WM	Largeur : 111,6 cm / 43,9 pouces Hauteur : 84,5 cm / 33,3 pouces Profondeur : 64,4 cm / 25,4 pouces

CARACTÉRISTIQUES

1. Intérieur résistant à la rouille
2. Panier métallique
3. Cadran du thermostat
4. Dégivrage Vidange
5. Pieds de nivellement

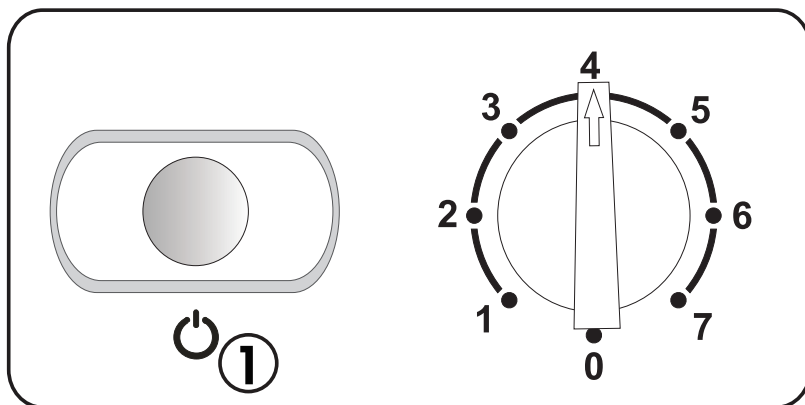
Remarque : Les images sont uniquement à des fins pédagogiques. Votre congélateur peut sembler légèrement différent.



INSTRUCTIONS D'UTILISATION

CONTRÔLE DE LA TEMPÉRATURE

1. Voyant d'alimentation : s'allume lorsque le congélateur est connecté à une source d'alimentation en état de marche.



Tournez le bouton du thermostat à l'avant de l'armoire pour régler la température.

- 1 est le réglage le plus chaud.
- 7 est le réglage le plus froid.
- 4 est recommandé pour un usage domestique régulier.
- 0 éteindra le congélateur.
- Plage de température : $-12 \sim -24^{\circ}\text{C}$ / $10,4 \sim -11,2^{\circ}\text{F}$

Important :

- La température à l'intérieur du congélateur peut varier en fonction de la température ambiante de la pièce, du nombre d'ouvertures du couvercle et de la quantité d'aliments frais récemment ajoutés.
- Ne surchargez pas le congélateur car cela peut affecter les performances.
- Ne congelez pas de grandes quantités d'aliments frais en même temps.
- N'ajoutez pas d'aliments chauds dans le congélateur car cela augmenterait la formation de givre.

INSTRUCTIONS D'UTILISATION

DÉCONGÉLATION

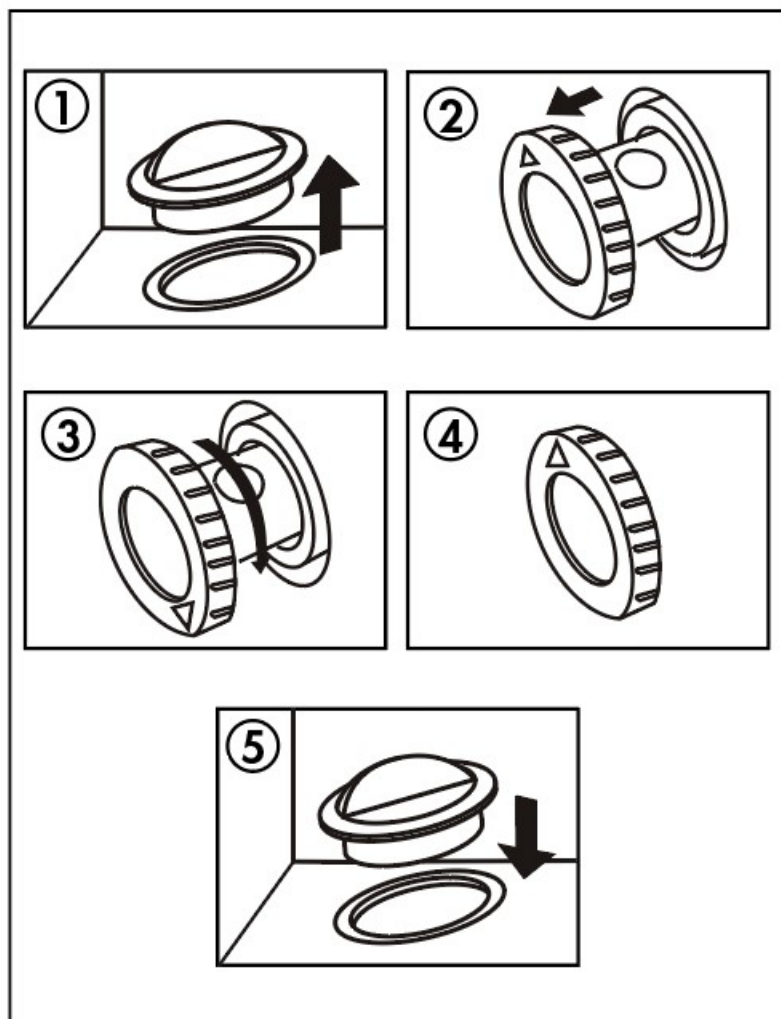
Le congélateur doit être dégivré deux fois par an ou lorsqu'une couche de givre d'environ 1/4 de pouce s'est formée sur les parois de l'armoire. Tournez le cadran du thermostat sur "0" et débranchez le cordon d'alimentation. Retirez tout le contenu et laissez le couvercle ouvert. Suivez les instructions ci-dessous :

1. Le drain de dégivrage intérieur est situé sur le plancher intérieur de l'armoire. Retirez le couvercle du drain de dégivrage. L'eau dégivrée s'écoulera dans le trou et sortira par le bouchon de vidange de dégivrage extérieur.
2. Le bouchon de vidange du dégivrage extérieur est situé à l'avant de l'appareil. Retirez doucement le bouchon de vidange extérieur d'environ 20 à 25 mm (0,8 à 1 pouce) jusqu'à ce que le trou d'eau soit visible.
3. Tournez le bouchon de vidange extérieur de sorte que la flèche pointe vers le bas. Placez un seau ou une casserole sous le bouchon de vidange pour récupérer l'eau décongelée. Vérifiez régulièrement le congélateur pendant le dégivrage pour vous assurer que l'eau ne déborde pas.
4. Lorsque toute l'eau a été vidangée, tournez le bouchon de vidange jusqu'à ce que la flèche pointe vers le haut, puis poussez vers l'intérieur jusqu'à ce qu'il soit au même niveau que l'armoire.
5. Remplacez le couvercle dans le drain de dégivrage intérieur. Assurez-vous que l'intérieur est sec avant de brancher le congélateur.

Une fois le dégivrage terminé, réglez la commande de température au maximum pendant 2 à 3 heures avant de revenir au réglage de température souhaité.

Voir la page suivante pour des images du drain de dégivrage pour votre modèle de congélateur.

INSTRUCTIONS D'UTILISATION



NETTOYAGE

- Débranchez le congélateur avant de le nettoyer.
- Nettoyez le congélateur avec un chiffon doux et humide et un peu de détergent doux. Laissez l'intérieur du congélateur sécher complètement avant de le rebrancher et de retourner les aliments.
- Il est important de nettoyer la zone où le couvercle se scelle contre l'armoire pour assurer une étanchéité parfaite. Nettoyez bien cette zone et assurez-vous qu'elle est complètement sèche.
- N'utilisez pas de nettoyeurs contenant de l'ammoniac ou de l'alcool car ils endommageraient l'apparence du congélateur. N'utilisez jamais de nettoyeurs commerciaux ou abrasifs.
- N'utilisez jamais d'objets pointus sur aucune partie du congélateur.

PANNE ÉLECTRIQUE

La plupart des pannes de courant sont corrigées en quelques heures et ne devraient pas affecter le congélateur. Assurez-vous de minimiser le nombre de fois que le couvercle est ouvert. Si l'alimentation doit être coupée pendant une longue période, prenez des mesures pour protéger votre contenu, comme ajouter de la glace au congélateur ou déplacer le contenu vers un stockage alternatif. Attendez 3 à 5 minutes avant de tenter de redémarrer le congélateur après une panne de courant pour permettre au circuit imprimé de redémarrer.

CONSEIL D'ÉCONOMIE D'ÉNERGIE

Placez le congélateur dans la zone la plus fraîche de la pièce, loin des sources de chaleur et à l'abri de la lumière directe du soleil. Ne surchargez pas le congélateur et ne bloquez pas les ouvertures de ventilation.

VACANCES

Vous pouvez laisser le congélateur fonctionner pendant de courtes vacances. Si le congélateur n'est pas utilisé pendant plus de quelques semaines, débranchez-le et retirez tous les éléments. Dégivrez, nettoyez et séchez soigneusement l'intérieur. Pour éviter la formation d'odeurs et de moisissures, laissez le couvercle légèrement ouvert, en le bloquant si nécessaire.

DÉMÉNAGER

- Retirez tous les éléments et assurez-vous que l'intérieur est propre et sec.
- Fermez le couvercle avec du ruban adhésif.
- Assurez-vous que le congélateur reste en position verticale pendant le transport.
- Protégez l'extérieur du congélateur avec une couverture ou un article similaire.
- Si le congélateur est placé sur le dos ou sur le côté pendant le transport, attendez 4 à 6 heures avant de le brancher pour réduire la possibilité d'un dysfonctionnement du système de refroidissement.

DISPOSITION

Ce congélateur ne doit pas être traité comme un déchet ménager ordinaire, il doit être apporté au point de collecte des déchets approprié pour le recyclage des composants électriques. Pour plus d'informations sur les points de collecte des déchets locaux, contactez votre agence locale d'enlèvement des déchets ou le bureau gouvernemental. La mise au rebut de ce congélateur doit être conforme aux réglementations fédérales et locales.

QUESTIONS FRÉQUEMMENT POSÉES

Le congélateur émet un gargouillis; Pourquoi?

Ce bruit est tout à fait normal. Le réfrigérant à l'intérieur du congélateur fera un bruit de gargouillement lorsqu'il passe d'un liquide à un gaz et inversement.

Quelle est la puissance électrique?

Cette information se trouve sur un autocollant apposé à l'arrière ou sur le côté de l'armoire.

Combien coûte le fonctionnement du congélateur par an?

Veillez vous référer au guide énergétique disponible sur www.Danby.com.

Puis-je utiliser une rallonge?

Non, une rallonge ne peut pas être utilisée.

Puis-je utiliser ce congélateur dans un garage?

Oui, ce congélateur est prêt pour le garage ! Il est destiné à un usage domestique et de garage à l'intérieur. Les congélateurs sont testés pour fonctionner à des températures allant de -17 à 43°C / 0 à 110°F. Il n'est pas conçu pour une installation à l'extérieur, y compris partout où la température n'est pas contrôlée.

J'ai du mal à ouvrir le couvercle; Pourquoi?

Le couvercle du congélateur peut être difficile à ouvrir immédiatement après l'avoir fermé. Ceci est normal et est dû à la différence de pression entre l'intérieur froid du congélateur et l'air chaud qui est entré lors de son ouverture. La pression s'égalisera en quelques minutes.

DÉPANNAGE

PROBLÈME	CAUSE POSSIBLE ET SOLUTIONS
Aucune puissance	<ul style="list-style-type: none">• Un fusible a peut-être sauté ou le disjoncteur s'est déclenché ; vérifier la boîte à fusibles ou le disjoncteur• La fiche n'est pas complètement insérée dans la prise murale ; assurez-vous que le cordon d'alimentation est branché
Température interne pas assez froide	<ul style="list-style-type: none">• Le réglage de la température est trop chaud ; baissez le réglage de la température• Le couvercle n'est pas bien fermé ou s'est trop ouvert ; assurez-vous que le couvercle est complètement fermé• Récemment ajouté une grande quantité d'aliments chauds au cabinet ; retirez certains des nouveaux articles jusqu'à ce que le congélateur refroidisse• Proximité d'une source de chaleur ou de la lumière directe du soleil ; déplacer le congélateur dans une autre zone• La température ou l'humidité ambiante est très élevée ; déplacer le congélateur dans une autre zone
L'appareil fonctionne en continu	<ul style="list-style-type: none">• Le réglage de la température est trop froid : augmentez le réglage de la température• Le couvercle n'est pas bien fermé ou s'est ouvert de manière excessive : assurez-vous que le couvercle est complètement fermé• Ajout récent d'une grande quantité d'aliments chauds dans l'armoire : retirez certains des nouveaux articles jusqu'à ce que le congélateur refroidisse• Proximité d'une source de chaleur ou de la lumière directe du soleil ; déplacer le congélateur dans une autre zone• La température ou l'humidité ambiante est très élevée ; déplacer le congélateur dans une autre zone

GARANTIE LIMITÉE « EN ATELIER »

Ce produit de qualité est garanti exempt de défauts de matériaux et de fabrication, à condition que l'appareil soit utilisé dans les conditions de fonctionnement normales prévues par le fabricant. Cette garantie est offerte uniquement à la personne à qui l'appareil a été initialement vendu par Danby Products Limited (Canada) ou Danby Products Inc. (U.S.A.) (ci-après « Danby ») ou par un distributeur autorisé de Danby, et n'est pas transférable.

CONDITIONS DE GARANTIE

Les pièces en plastique sont garanties pendant trente (30) jours à compter de la date d'achat, sans prolongation prévue.

12 premiers mois : Au cours des **douze (12) premiers mois**, toutes les pièces fonctionnelles de ce produit jugées défectueuses seront réparées ou remplacées, au choix du garant, sans frais pour l'acheteur d'origine.

Pour obtenir des services : Contactez le revendeur auprès duquel l'appareil a été acheté ou contactez le centre de service agréé Danby le plus proche, où le service doit être effectué par un technicien de service qualifié. Si le service est effectué sur l'appareil par une personne autre qu'un centre de service autorisé, toutes les obligations de Danby en vertu de cette garantie seront annulées.

Il est de la responsabilité de l'acheteur de transporter l'appareil jusqu'au centre de service agréé le plus proche. Les frais de transport vers et depuis le lieu de service ne sont pas couverts par cette garantie et sont à la charge de l'acheteur

Rien dans cette garantie n'implique que Danby sera responsable de toute détérioration ou dommage à la nourriture ou à tout autre contenu de cet appareil, que ce soit en raison d'un défaut de l'appareil ou de son utilisation, qu'elle soit appropriée ou non.

EXCLUSION

À l'exception de ce qui est prévu dans les présentes, par Danby, il n'y a aucune autre garantie, condition, représentation ou garantie, expresse ou implicite, faite ou prévue par Danby ou ses distributeurs autorisés et toutes les autres garanties, conditions, représentations ou garanties, y compris les garanties, conditions, les représentations ou garanties en vertu de toute loi sur la vente de marchandises ou d'une législation ou d'un statut similaire sont expressément exclues. **Sauf dans les cas prévus aux présentes, Danby ne sera pas responsable des dommages aux personnes ou aux biens, y compris l'unité elle-même, quelle qu'en soit la cause ou de tout dommage consécutif résultant du dysfonctionnement de l'unité et par l'achat de l'unité, l'acheteur accepte par la présente de indemniser et dégager Danby de toute réclamation pour dommages aux personnes ou aux biens causés par l'appareil.**

DISPOSITIONS GÉNÉRALES

Aucune garantie ou assurance contenue ou énoncée dans les présentes ne s'applique lorsque des dommages ou des réparations sont causés par l'un des éléments suivants :

- 1) Panne de courant.
- 2) Dommages pendant le transport ou lors du déplacement de l'appareil.
- 3) Alimentation électrique inappropriée telle qu'une basse tension, un câblage domestique défectueux ou des fusibles inadéquats.
- 4) Accident, altération, abus ou mauvaise utilisation de l'appareil tel qu'une circulation d'air inadéquate dans la pièce ou des conditions de fonctionnement anormales (c'est-à-dire une température ambiante extrêmement élevée ou basse).
- 5) Utilisation à des fins commerciales ou industrielles (c'est-à-dire si l'appareil n'est pas installé dans une résidence domestique).
- 6) Incendie, dégâts des eaux, vol, guerre, émeute, hostilité, catastrophes naturelles telles que ouragans, inondations, etc.
- 7) Appels de service entraînant l'éducation des clients.
- 8) Installation incorrecte (c'est-à-dire l'intégration d'un appareil autonome ou l'utilisation d'un appareil à l'extérieur qui n'est pas approuvé pour une application extérieure, y compris, mais sans s'y limiter : les garages, les patios, les porches ou tout autre endroit qui n'est pas correctement isolé ou climatisé) .

Une preuve de la date d'achat sera requise pour les demandes de garantie ; conserver les factures de vente. Dans le cas où un service de garantie est requis, présentez la preuve d'achat à notre centre de service autorisé.

Bienvenido a la familia Danby.

Estamos orgullosos de nuestros productos de calidad y creemos en un servicio confiable. Le sugerimos que lea este manual del propietario antes de enchufar su nuevo electrodoméstico, ya que contiene información importante sobre el funcionamiento, información de seguridad, solución de problemas y consejos de mantenimiento para garantizar la confiabilidad y la longevidad de su electrodoméstico.

Tiene derecho a la cobertura de la garantía tal como se describe en el manual del propietario provisto con su nuevo electrodoméstico.

1. Anote la información de su electrodoméstico a continuación. **Debe conservar el comprobante de compra original para validar y recibir los servicios de garantía.**
2. Registre su producto en línea y reciba una **EXTENSIÓN GRATUITA DE 2 MESES DE GARANTÍA** después de completar una encuesta sobre el producto, en www.danby.com/support/product-registration/

Número de modelo: _____

Número de serie: _____

Fecha de compra: _____

¿Necesitas ayuda?

1. Lea el manual de su owner para obtener ayuda con la instalación, solución de problemas y asistencia de mantenimiento.
2. Visite **www.Danby.com** para acceder a herramientas de autoservicio, preguntas frecuentes y mucho más buscando su número de modelo en la barra de búsqueda.
3. Para obtener el servicio de atención al cliente más rápido, complete el formulario web en **www.danby.com/support**. Su presentación irá directamente a un experto en su electrodoméstico en particular. Nuestros tiempos de respuesta promedio son entre 20 minutos y 2 horas, durante el horario comercial EST.
4. Llame al **1-800-263-2629**; tenga en cuenta que durante las horas pico, los tiempos de espera pueden exceder una hora.



Información de Seguridad Importante

LEA Y SIGA TODAS LAS INSTRUCCIONES DE SEGURIDAD

INSTRUCCIONES DE SEGURIDAD

PELIGRO: Riesgo de incendio o explosión. Refrigerante inflamable utilizado. No perforo la tubería de refrigerante.

- Asegúrese de que el servicio sea realizado por personal de servicio autorizado de fábrica, para minimizar los daños al producto o los problemas de seguridad.
- Consulte el manual de reparación o la guía del propietario antes de intentar reparar este producto. Se deben seguir todas las precauciones de seguridad.
- Deseche este aparato correctamente de acuerdo con las regulaciones federales o locales.
- Siga cuidadosamente las instrucciones de manejo.
- No almacene sustancias explosivas como latas de aerosol con un propulsor inflamable en este aparato.

ADVERTENCIA:

- Mantenga las aberturas de ventilación libres de obstrucciones.
- No utilice dispositivos mecánicos u otros medios para acelerar el proceso de descongelación, distintos de los recomendados por el fabricante.
- No dañe el circuito de refrigerante.
- No utilice aparatos eléctricos dentro de los compartimentos de almacenamiento de alimentos del aparato, a menos que sean del tipo recomendado por el fabricante.

PRECAUCIÓN: Los niños deben ser supervisados para asegurarse de que no jueguen con el aparato.

¡GUARDA ESTAS INSTRUCCIONES!



Información de Seguridad Importante

LEA Y SIGA TODAS LAS INSTRUCCIONES DE SEGURIDAD

PELIGRO: Riesgo de atrapamiento de niños. Antes de tirar un electrodoméstico viejo:

- Retire la puerta o la tapa.
- Deje los estantes en su lugar para que los niños no puedan entrar fácilmente.

Este electrodoméstico no está diseñado para que lo usen personas (incluidos los niños) cuyas capacidades físicas, sensoriales o mentales puedan ser diferentes o reducidas, o que carezcan de experiencia o conocimiento, a menos que dichas personas reciban supervisión o capacitación para operar el electrodoméstico por parte de una persona responsable de su la seguridad.

Este aparato está diseñado para ser utilizado en aplicaciones domésticas y similares, tales como:

- Áreas de cocina para el personal en tiendas, oficinas y otros entornos de trabajo;
- Casas de campo y por clientes en hoteles, moteles y otros entornos de tipo residencial;
- Ambientes tipo bed and breakfast;
- Catering y aplicaciones no minoristas similares.

IMPORTANTE: Nunca utilice aparatos eléctricos durante la descongelación. No utilice objetos puntiagudos o afilados para quitar la escarcha, ya que esto dañará las líneas de refrigerante. Si estas líneas se perforan accidentalmente, el congelador dejará de funcionar y se anulará la garantía del fabricante.

¡GUARDA ESTAS INSTRUCCIONES!



Información de Seguridad Importante

LEA Y SIGA TODAS LAS INSTRUCCIONES DE SEGURIDAD

INSTRUCCIONES DE PUESTA A TIERRA

Este aparato debe estar conectado a tierra. La conexión a tierra reduce el riesgo de descarga eléctrica al proporcionar un cable de escape para la corriente eléctrica.

Este electrodoméstico tiene un cable que tiene un cable de conexión a tierra con un enchufe de 3 clavijas. El cable de alimentación debe estar enchufado en un tomacorriente que esté debidamente conectado a tierra. Si el tomacorriente es un tomacorriente de pared de 2 clavijas, debe reemplazarse por un tomacorriente de pared de 3 clavijas debidamente conectado a tierra. La placa de características nominales indica el voltaje y la frecuencia para los que está diseñado el aparato.

ADVERTENCIA - El uso inadecuado del enchufe con conexión a tierra puede resultar en un riesgo de descarga eléctrica. Consulte a un electricista calificado o a un agente de servicio si no entiende completamente las instrucciones de conexión a tierra o si tiene dudas sobre si el electrodoméstico está correctamente conectado a tierra.

- **No conecte su electrodoméstico a cables de extensión o junto con otro electrodoméstico en el mismo tomacorriente de pared.**
- No empalme el cable de alimentación.
- Bajo ninguna circunstancia corte o retire la tercera clavija de conexión a tierra del cable de alimentación.
- No use adaptadores sin conexión a tierra (dos clavijas).

Si el cable de alimentación está dañado, debe ser reemplazado por el fabricante, su agente de servicio o una persona calificada similar para evitar riesgos.

¡GUARDA ESTAS INSTRUCCIONES!

INSTRUCCIONES DE INSTALACIÓN

UBICACIÓN

- Dos personas deben trabajar juntas para mover el congelador. ¡Tenga cuidado y levante con las rodillas, no con la espalda!
- Retire todo el embalaje antes de la instalación. Limpie el exterior con un paño suave y seco y el interior con un paño húmedo y tibio.
- No coloque el congelador bajo la luz solar directa o cerca de fuentes de calor, como una estufa o calentador, ya que esto puede aumentar el consumo eléctrico. Las temperaturas ambientales extremadamente frías pueden hacer que el congelador funcione incorrectamente.
- No utilice el congelador cerca del agua, como en un sótano húmedo o cerca de un fregadero.
- Espere aproximadamente de 4 a 6 horas antes de conectar el congelador a una fuente de energía para reducir la posibilidad de un mal funcionamiento en el sistema de enfriamiento debido al manejo durante el transporte.
- Este congelador está diseñado para una instalación independiente únicamente y no para ser empotrado en un gabinete o mostrador. Construir este congelador puede causar que no funcione correctamente.

GARAJE LISTO

¡Este congelador está listo para garaje! Está diseñado para uso doméstico y de garaje en interiores. Los congeladores se prueban para funcionar en temperaturas que van desde -17 a 43 °C / 0 a 110 °F. No está diseñado para instalación en el exterior, incluso en cualquier lugar que no tenga control de temperatura.

INSTRUCCIONES DE OPERACIÓN

DIMENSIONES

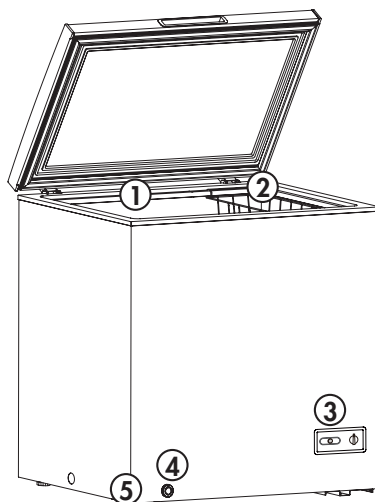
Consulte la tabla a continuación para encontrar las dimensiones para su modelo de congelador. Deje 12,7 cm (5 pulgadas) de espacio entre la parte trasera y los lados del congelador para una ventilación de aire adecuada.

Modelo	Dimensiones
DCF035A6WM	Ancho: 51,5 cm / 20,3 pulgadas Altura: 84,5 cm / 33,3 pulgadas Profundidad: 55,6 cm / 21,9 pulgadas
DCF050A6WM	Ancho: 63,7 cm / 25,1 pulgadas Altura: 84,7 / 33,3 pulgadas Profundidad: 55,6 cm / 21,9 pulgadas
DCF070A6WM	Ancho: 82,7 cm / 32,6 pulgadas Altura: 84,7 cm / 33,3 pulgadas Profundidad: 55,6 cm/21,9 pulgadas
DCF100A6WM	Ancho: 111,6 cm / 43,9 pulgadas Altura: 84,5 cm / 33,3 pulgadas Profundidad: 64,4 cm / 25,4 pulgadas

CARACTERÍSTICAS

1. Interior resistente al óxido.
2. Cesta de alambre
3. Esfera del termostato
4. Drenaje de descongelación
5. Patas niveladoras

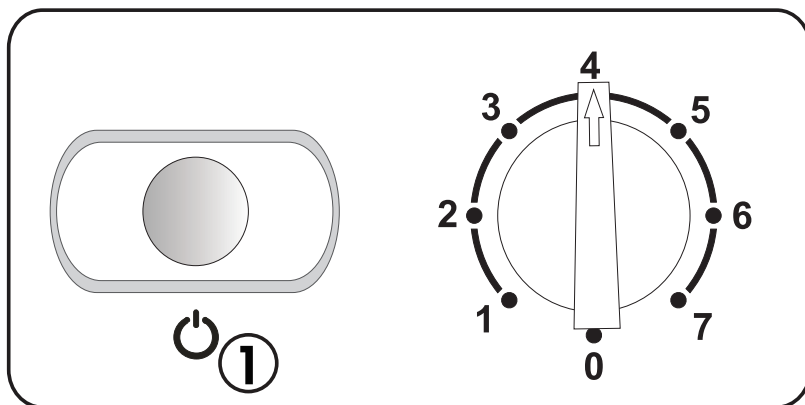
Nota: Las imágenes son solo para fines instructivos. Su congelador puede verse ligeramente diferente.



INSTRUCCIONES DE OPERACIÓN

CONTROL DE TEMPERATURA

1. Luz de encendido: se ilumina cuando el congelador está conectado a una fuente de alimentación en funcionamiento.



Gire el dial del termostato en la parte delantera del gabinete para ajustar la temperatura.

- 1 es el ajuste más cálido.
- 7 es el ajuste más frío.
- 4 se recomienda para uso doméstico regular.
- 0 apagará el congelador.
- Rango de temperatura: $-12 \sim -24 \text{ }^{\circ}\text{C}$ / $10,4 \sim -11,2 \text{ }^{\circ}\text{F}$

Importante:

- La temperatura dentro del congelador puede variar según la temperatura ambiente de la habitación, la cantidad de veces que se abre la tapa y la cantidad de alimentos frescos que se agregaron recientemente.
- No sobrecargue el congelador ya que esto puede afectar el rendimiento.
- No congele grandes cantidades de alimentos frescos al mismo tiempo.
- No agregue alimentos calientes al congelador ya que esto aumentará la formación de escarcha.

INSTRUCCIONES DE OPERACIÓN

ANTIHIELO

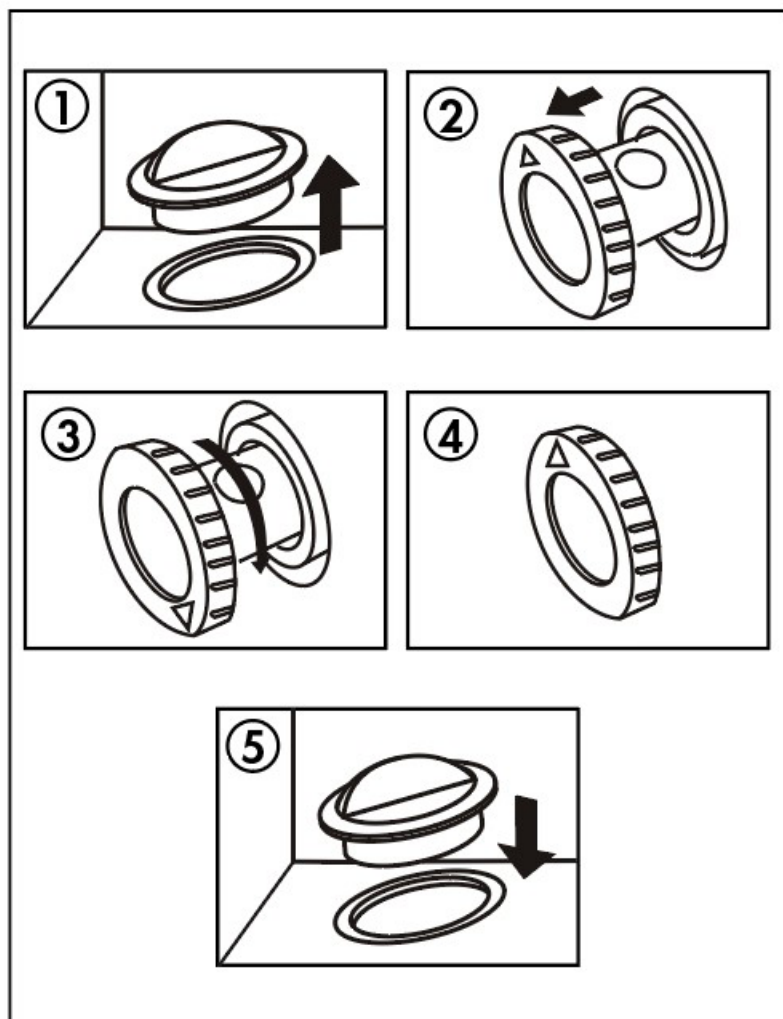
El congelador debe descongelarse dos veces al año o cuando se haya formado una capa de escarcha de aproximadamente 1/4 de pulgada en las paredes del gabinete. Gire el dial del termostato a "0" y desenchufe el cable de alimentación. Retire todo el contenido y deje la tapa abierta. Siga las instrucciones de abajo:

1. El desagüe de descongelación interior está ubicado en el piso interior del gabinete. Retire la tapa del drenaje de descongelación. El agua descongelada fluirá hacia el orificio y saldrá a través de la tapa de drenaje de descongelación exterior.
2. El tapón exterior de desagüe de descongelación está situado en la parte delantera del armario. Tire suavemente de la tapa de drenaje exterior aproximadamente 20 - 25 mm (0,8 a 1 pulgada) hasta que el orificio de agua sea visible.
3. Gire la tapa de drenaje exterior para que la flecha apunte hacia abajo. Coloque un balde o recipiente debajo de la tapa de drenaje para recoger el agua descongelada. Revise el congelador regularmente durante la descongelación para asegurarse de que el agua no se desborde.
4. Cuando se haya drenado toda el agua, gire la tapa de drenaje hasta que la flecha apunte hacia arriba y luego empújela hacia adentro hasta que quede al ras con el gabinete.
5. Vuelva a colocar la cubierta en el drenaje de descongelación interior. Asegúrese de que el interior esté seco antes de enchufar el congelador.

Una vez finalizada la descongelación, ajuste el control de temperatura al máximo durante 2 a 3 horas antes de volver al ajuste de temperatura deseado.

Consulte la página siguiente para ver imágenes del drenaje de descongelación para su modelo de congelador.

INSTRUCCIONES DE OPERACIÓN



CUIDADO Y MANTENIMIENTO

LIMPIEZA

- Desenchufe el congelador antes de limpiarlo.
- Limpie el congelador con un paño suave y húmedo y un poco de detergente suave. Permita que el interior del congelador se seque por completo antes de volver a enchufarlo y devolver los alimentos.
- Es importante limpiar el área donde la tapa se sella contra el gabinete para asegurar un cierre hermético. Limpia bien esta zona y asegúrate de que esté completamente seca.
- No utilice limpiadores que contengan amoníaco o alcohol, ya que dañarán la apariencia del congelador. Nunca use limpiadores comerciales o abrasivos.
- Nunca utilice objetos afilados en ninguna parte del congelador.

FALLO DE ALIMENTACIÓN

La mayoría de las fallas de energía se corrigen en unas pocas horas y no deberían afectar al congelador. Asegúrese de minimizar la cantidad de veces que se abre la tapa. Si va a estar sin energía durante un período de tiempo más largo, tome medidas para proteger su contenido, como agregar hielo al congelador o mover el contenido a un lugar de almacenamiento alternativo. Espere de 3 a 5 minutos antes de intentar reiniciar el congelador después de un corte de energía para permitir que la placa de circuito se reinicie.

CONSEJO PARA AHORRAR ENERGÍA

Coloque el congelador en el área más fresca de la habitación, lejos de fuentes de calor y fuera de la luz solar directa. No sobrecargue el congelador ni bloquee las aberturas de ventilación.

CUIDADO Y MANTENIMIENTO

VACACIONES

Puede dejar el congelador funcionando durante las vacaciones cortas. Si el congelador no se utilizará durante más de unas pocas semanas, desenchúfelo y retire todos los elementos. Descongele, limpie y seque bien el interior. Para evitar el crecimiento de olores y moho, deje la tapa ligeramente abierta, bloqueándola si es necesario.

MUDARSE

- Retire todos los elementos y asegúrese de que el interior esté limpio y seco.
- Cierra la tapa con cinta adhesiva.
- Asegúrese de que el congelador permanezca en posición vertical durante el transporte.
- Proteja el exterior del congelador con una manta o un elemento similar.
- Si el congelador se coloca sobre su parte trasera o lateral durante el transporte, espere de 4 a 6 horas antes de enchufarlo para reducir la posibilidad de un mal funcionamiento en el sistema de enfriamiento.

DESECHO

Este congelador no puede tratarse como un residuo doméstico normal, debe llevarse al punto de recogida de residuos adecuado para el reciclaje de los componentes eléctricos. Para obtener información sobre los puntos locales de recolección de desechos, comuníquese con su agencia local de recolección de desechos u oficina gubernamental. La eliminación de este congelador debe realizarse de acuerdo con las reglamentaciones federales y locales.

El congelador está haciendo un gorgoteo; ¿por qué?

Este ruido es completamente normal. El refrigerante dentro del congelador hará un gorgoteo a medida que cambia de líquido a gas y viceversa.

¿Cuál es la clasificación eléctrica?

Esta información se puede encontrar en una etiqueta adhesiva en la parte posterior o lateral del gabinete.

¿Cuánto cuesta hacer funcionar el congelador por año?

Consulte la guía de energía que se encuentra en www.Danby.com.

¿Puedo usar un cable de extensión?

No, no se puede usar un cable de extensión.

¿Puedo usar este congelador en un garaje?

¡Sí, este congelador está listo para garaje! Está diseñado para uso doméstico y de garaje en interiores. Los congeladores se prueban para funcionar en temperaturas que van desde -17 a 43 °C / 0 a 110 °F. No está diseñado para instalación en el exterior, incluso en cualquier lugar que no tenga control de temperatura.

Tengo problemas para abrir la tapa; ¿por qué?

La tapa del congelador puede ser difícil de abrir inmediatamente después de cerrarla. Esto es normal y se debe a la diferencia de presión entre el interior frío del congelador y el aire caliente que entró cuando se abrió. La presión se igualará en unos pocos minutos.

SOLUCIÓN DE PROBLEMAS

PROBLEMA	POSIBLE CAUSA Y SOLUCIONES
Ningún poder	<ul style="list-style-type: none">• Puede que se haya quemado un fusible o disparado el disyuntor; verifique la caja de fusibles o el disyuntor• El enchufe no está completamente insertado en el tomacorriente de la pared; asegúrese de que el cable de alimentación esté enchufado
La temperatura interna no es lo suficientemente fría	<ul style="list-style-type: none">• El ajuste de temperatura es demasiado cálido; baje el ajuste de temperatura• La tapa no está bien cerrada o demasiado abierta; asegúrese de que la tapa esté completamente cerrada• Recientemente se agregó una gran cantidad de comida caliente al gabinete; retire algunos de los artículos nuevos hasta que el congelador se enfríe• Proximidad a fuentes de calor o luz solar directa; mover el congelador a otra área• La temperatura ambiente o la humedad es muy alta; mover el congelador a otra área
El aparato funciona continuamente	<ul style="list-style-type: none">• El ajuste de temperatura es demasiado frío: suba el ajuste de temperatura• La tapa no cierra bien o se abre demasiado: asegúrese de que la tapa esté completamente cerrada• Recientemente se agregó una gran cantidad de alimentos calientes al gabinete: retire algunos de los artículos nuevos hasta que el congelador se enfríe• Proximidad a fuentes de calor o luz solar directa; mover el congelador a otra área• La temperatura ambiente o la humedad es muy alta; mover el congelador a otra área

GARANTÍA LIMITADA “ACARREADO SOLAMENTE”

Se garantiza que este producto de calidad está libre de defectos de fabricación en materiales y mano de obra, siempre que la unidad se utilice en las condiciones normales de funcionamiento previstas por el fabricante. Esta garantía está disponible solo para la persona a quien Danby Products Limited (Canadá) o Danby Products Inc. (EE. UU.) (en adelante, “Danby”) o un distribuidor autorizado de Danby vendieron originalmente la unidad, y no es transferible.

TÉRMINOS DE GARANTÍA

Las piezas de plástico tienen una garantía de treinta (30) días a partir de la fecha de compra, sin posibilidad de prórroga.

Primeros 12 meses: Durante los primeros doce (12) meses, cualquier pieza funcional de este producto que se encuentre defectuosa será reparada o reemplazada, a elección del garante, sin cargo para el comprador original.

Para obtener servicio: Comuníquese con el distribuidor donde compró la unidad, o comuníquese con el centro de servicio Danby autorizado más cercano, donde un técnico de servicio calificado debe realizar el servicio. Si el servicio de la unidad lo realiza alguien que no sea un centro de servicio autorizado, todas las obligaciones de Danby en virtud de esta garantía quedarán anuladas.

Es responsabilidad del comprador transportar el aparato al depósito de servicio autorizado más cercano. Los cargos de transporte hacia y desde el lugar de servicio no están protegidos por esta garantía y son responsabilidad del comprador.

Nada dentro de esta garantía implicará que Danby será responsable por cualquier deterioro o daño a los alimentos u otros contenidos de este electrodoméstico, ya sea debido a cualquier defecto del electrodoméstico o su uso, ya sea adecuado o inadecuado.

EXCLUSIONES

Salvo lo dispuesto en el presente, por parte de Danby, no existen otras garantías, condiciones, representaciones o garantías, expresas o implícitas, hechas o previstas por Danby o sus distribuidores autorizados y todas las demás garantías, condiciones, representaciones o garantías, incluidas las garantías, condiciones, representaciones o garantías bajo cualquier Ley de Venta de Bienes o legislación o estatuto similar queda expresamente excluida. **Salvo lo dispuesto en el presente, Danby no será responsable de ningún daño a las personas o a la propiedad, incluida la unidad misma, cualquiera que sea su causa ni de ningún daño consecuente que surja del mal funcionamiento de la unidad y por la compra de la unidad, el comprador acepta por este medio indemnizar y eximir de responsabilidad a Danby de cualquier reclamo por daños a personas o propiedad causados por la unidad.**

PROVISIONES GENERALES

Ninguna garantía o seguro aquí contenido o establecido se aplicará cuando el daño o la reparación sean causados por cualquiera de los siguientes:

- 1) Fallo de energía.
- 2) Daños durante el transporte o al mover el aparato.
- 3) Suministro de energía inadecuado, como bajo voltaje, cableado doméstico defectuoso o fusibles inadecuados.
- 4) Accidente, alteración, abuso o mal uso del aparato, como circulación de aire inadecuada en la habitación o condiciones de funcionamiento anormales (es decir, temperatura ambiente extremadamente alta o baja).
- 5) Uso con fines comerciales o industriales (es decir, si el aparato no está instalado en una residencia doméstica).
- 6) Incendio, daños por agua, robo, guerra, disturbios, hostilidad, actos de Dios como huracanes, inundaciones, etc.
- 7) Llamadas de servicio que resulten en educación del cliente.
- 8) Instalación incorrecta (es decir, la instalación de un electrodoméstico independiente o el uso de un electrodoméstico en el exterior que no está aprobado para aplicaciones en el exterior, incluidos, entre otros: garajes, patios, porches o cualquier lugar que no esté debidamente aislado o climatizado).

Se requerirá prueba de la fecha de compra para reclamos de garantía; conservar las facturas de venta. En caso de que se requiera servicio de garantía, presente el comprobante de compra en nuestro depósito de servicio autorizado.

