

# Danby<sup>®</sup>

## DIPLOMAT

OWNER'S MANUAL  
MANUEL DU PROPRIÉTAIRE  
MANUAL DEL PROPIETARIO

### CHEST FREEZER

Owner's Manual.....1 - 8

### CONGÉLATEUR HORIZONTAL

Manuel du propriétaire.....9 - 16

### CONGELADOR HORIZONTAL

Manual del propietario.....17 - 24

### MODEL • MODÈLE • MODELO

DCF035B1WM

DCF050B1WM

DCF070B1WM

DCF070B1BM

DCF035B1WM-6

DCF050B1WM-6

# Welcome

Welcome to the Danby family. We are proud of our quality products and we believe in dependable service. We suggest that you read this owner's manual before plugging in your new appliance as it contains important operation information, safety information, troubleshooting and maintenance tips to ensure the reliability and longevity of your appliance.

Visit [www.Danby.com](http://www.Danby.com) to access self service tools, FAQs and much more. For additional assistance call **1-800-263-2629**.

**Note the information below; you will need this information to obtain service under warranty.**

**You must provide the original purchase receipt to validate your warranty and receive service.**

**Model Number:** \_\_\_\_\_

**Serial Number:** \_\_\_\_\_

**Date of Purchase:** \_\_\_\_\_

## Need Help?

Before you call for service, here are a few things you can do to help us serve you better.

**Read this owner's manual:**

It contains instructions to help you use and maintain your appliance properly.

**If you receive a damaged appliance:**

Immediately contact the retailer or builder that sold you the appliance.

**Save time and money:**

Check the troubleshooting section at the end of this manual before calling. This section will help you solve common problems that may occur.



1-800-26- Danby  
(1-800-263-2629)



## Important Safety Information

### READ AND FOLLOW ALL SAFETY INSTRUCTIONS

#### SAFETY REQUIREMENTS

**DANGER:** Risk of fire or explosion. Flammable refrigerant used. Do not puncture refrigerant tubing.

- Do not use mechanical devices to defrost refrigerator.
- Ensure that servicing is done by factory authorized service personnel, to minimize product damage or safety issues.
- If the power supply cord is damaged, it must be replaced by the manufacturer, its service agent or similar qualified person in order to avoid hazard.
- Consult repair manual or owner's guide before attempting to service this product. All safety precautions must be followed.
- Dispose of properly in accordance with federal or local regulations.
- Follow handling instructions carefully.
- Do not store explosive substances such as aerosol cans with a flammable propellant in this appliance.

**WARNING:** Keep ventilation openings, in the appliance enclosure or in the built-in structure, clear of obstruction.

**WARNING:** Do not use mechanical devices or other means to accelerate the defrosting process, other than those recommended by the manufacturer.

**WARNING:** Do not damage the refrigerant circuit.

**WARNING:** Do not use electrical appliances inside the food storage compartments of the appliance, unless they are of the type recommended by the manufacturer.

**CAUTION:** Children should be supervised to ensure that they do not play with the appliance.

**DANGER:** Risk of child entrapment. Before throwing away an old appliance:

- Remove the door or lid.
- Leave shelves in place so that children may not easily climb inside.

**DANGER:** Do not add a lock to the door or lid. This can cause child entrapment and harm.

#### SAFETY REQUIREMENTS

This appliance is not intended for use by persons (including children) whose physical, sensory or mental capabilities may be different or reduced, or who lack experience or knowledge, unless such persons receive supervision or training to operate the appliance by a person responsible for their safety.

This appliance is intended to be used in household and similar applications such as:

- Staff kitchen areas in shops, offices and other working environments;
- Farm houses and by clients in hotels, motels and other residential type environments;
- Bed and breakfast type environments;
- Catering and similar non-retail applications.

#### GROUNDING INSTRUCTIONS

This appliance must be grounded. Grounding reduces the risk of electrical shock by providing an escape wire for the electrical current.

This appliance has a cord that has a grounding wire with a 3-prong plug. The power cord must be plugged into an outlet that is properly grounded. If the outlet is a 2-prong wall outlet, it must be replaced with a properly grounded 3-prong wall outlet. The serial rating plate indicates the voltage and frequency the appliance is designed for.

**WARNING** - Improper use of the grounding plug can result in a risk of electric shock. Consult a qualified electrician or service agent if the grounding instructions are not completely understood, or if doubt exists as to whether the appliance is properly grounded.

**Do not connect your appliance to extension cords or together with another appliance in the same wall outlet.** Do not splice the power cord. Do not under any circumstances cut or remove the third ground prong from the power cord. Do not use extension cords or ungrounded (two prongs) adapters.

**SAVE THESE INSTRUCTIONS!**

## INSTALLATION INSTRUCTIONS

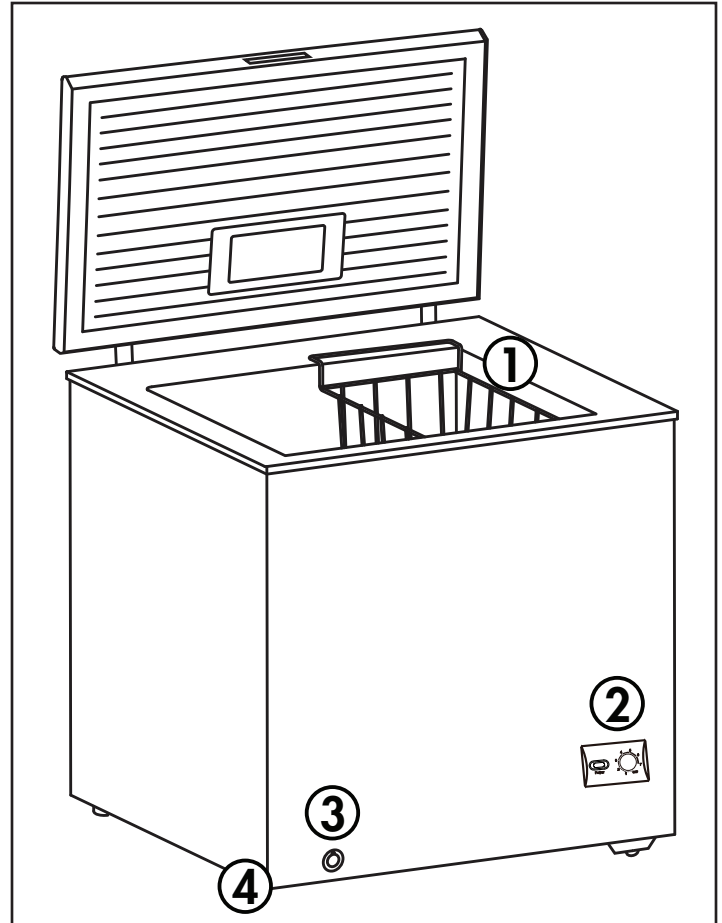
### LOCATION

- Two people should be used when moving the appliance.
- Remove interior and exterior packaging prior to installation. Wipe the outside of the appliance with a soft, dry cloth and the inside with a lukewarm wet cloth.
- Place the appliance on a floor that is strong enough to support it when it is fully loaded.
- Do not place the appliance in direct sunlight or near sources of heat, such as a stove or heater, as this can increase electrical consumption. Extreme cold ambient temperatures may also cause the appliance to perform improperly.
- Do not use the appliance near water, for example, in a wet basement or near a sink.
- This appliance is intended for indoor household use only. It is not designed for outside installation, including anywhere that is not temperature controlled (garages, porches, vehicles, etc.).
- Before connecting the appliance to a power source, let it stand upright for approximately 6 hours. This will reduce the possibility of a malfunction in the cooling system from handling during transportation.
- Allow 12.7 cm (5 inches) of space between the back, sides and top of the appliance and all adjacent walls.
- This appliance is intended for free-standing installation only and is not intended to be built into a cabinet or counter. Building in this appliance can cause it to malfunction.
- **IMPORTANT:** Before using the appliance, remove the rubber plug from the accessory bag and install it in the interior of the appliance. Do not run the appliance without the plug installed as this can cause water leakage and damage to flooring.

## OPERATING INSTRUCTIONS

### FEATURES

1. Wire Basket
2. Control Panel
3. Defrost Drain
4. Adjustable Foot



### IMPORTANT NOTE

The freezer lid may be difficult to open immediately after closing it. This is normal and is due to the pressure difference between the cold interior of the freezer and the warm air that has just entered the freezer when the lid was opened. The pressure will equalize within a few minutes.

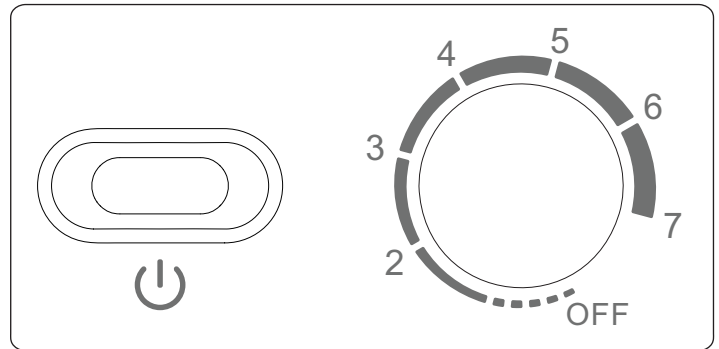
If the lid is especially difficult to open, wait 5 minutes to allow the pressure to equalize and then try again.

# OPERATING INSTRUCTIONS

## TEMPERATURE CONTROL

The temperature of the appliance is controlled by setting the thermostat dial on the front of the cabinet.

- The number 1 indicates the warmest setting. The number 7 indicates the coldest setting.
- The number 5 setting should be sufficient for regular home use.
- To stop the cooling function, turn the dial to the "OFF" position.



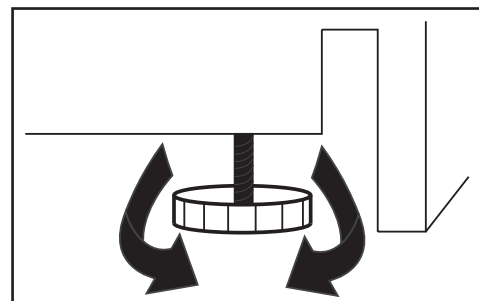
### Notes:

- The temperature inside the appliance can vary based on ambient room temperature, the frequency that the lid is opened and the amount of fresh food that has recently been added to the appliance.
- Do not overload the appliance as this can affect performance.
- Do not freeze large quantities of fresh food at the same time.

## LEVELING INSTRUCTIONS

There are two adjustable feet on the bottom of the cabinet that can be adjusted to ensure that the appliance is level. To level the appliance:

1. Turn the adjustable foot counter-clockwise until the top of the foot is touching the bottom of the cabinet.
2. Slowly turn the adjustable foot clockwise until the appliance is level.



# OPERATING INSTRUCTIONS

## DEFROSTING

This appliance should be defrosted approximately twice a year or when a 6 mm (1/4 inch) layer of frost has formed.

Unplug the appliance, remove all contents and leave the lid open. Follow the instructions below:

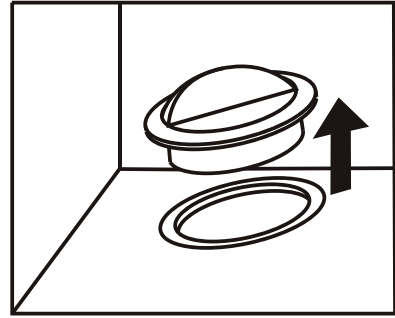
1. The interior defrost drain is located on the inside floor of the cabinet. Remove the rubber cover from the defrost drain. Defrosted water will flow into the hole and out through the exterior defrost drain cap. See Figure 1.
2. The exterior defrost drain cap is located on the front of the cabinet. Gently pull out the exterior drain cap approximately 20 - 25 mm until the water hole is visible. See Figure 2.
3. Twist the exterior drain cap so that the arrow points downward. See Figure 3.
4. Place a bucket or pan under the drain cap to catch defrosted water. Check the appliance regularly during defrosting to ensure that the water is not overflowing.
5. When all water has been drained, twist the drain cap until the arrow is pointing upwards and then push inward until it is flush with the cabinet. See Figure 4.
6. Replace the rubber cover in the interior defrost drain.

After defrosting is complete, set the temperature control to maximum for 2 to 3 hours before returning to the desired temperature setting and replacing the contents.

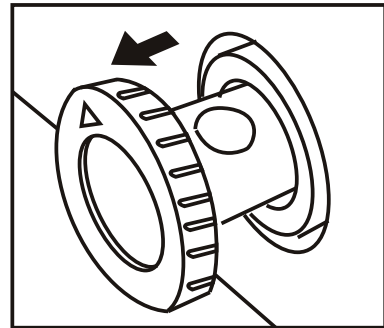
### IMPORTANT

Never use electrical appliances during defrosting. Do not use pointed or sharp objects to remove frost as this can damage the refrigerant lines. If these lines are accidentally pierced it will render the freezer inoperable and void the manufacturer's warranty.

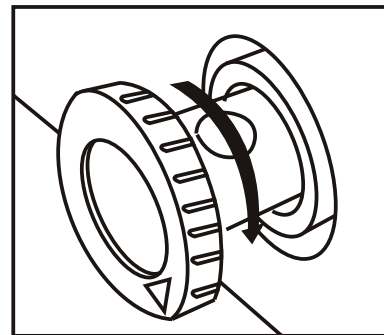
1



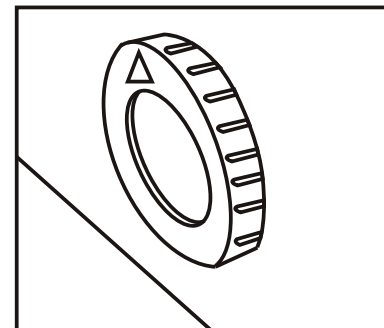
2



3



4



## CARE & MAINTENANCE

### CLEANING

Ensure the appliance is unplugged before cleaning.

- To clean the inside of the appliance, use a soft cloth and a solution of one tablespoon of baking soda to one quart of water or a mild soap solution or some mild detergent.
- Clean the outside with a soft, damp cloth and some mild detergent.
- It is important to keep the area where the lid seals against the cabinet clean to ensure a tight seal. Clean this area with a soapy cloth. Rinse with a damp cloth and let dry.

**Note:** Do not use cleaners containing ammonia or alcohol on the appliance. Ammonia or alcohol can damage the appearance of the appliance. Never use any commercial or abrasive cleaners or sharp objects on any part of the appliance.

### POWER FAILURE

Most power failures are corrected within a few hours and should not affect the temperature of your appliance if you minimize the number of times the lid is opened. If the power is going to be off for a longer period of time, take the proper steps to protect your contents.

**Note:** Wait 3 to 5 minutes before attempting to restart the refrigerator if operation has been interrupted.

### ENERGY SAVING TIP

The appliance should be located in the coolest area of the room, away from heat producing appliances, and out of direct sunlight. Do not overload the unit or block any ventilation openings.

### VACATION

- **Short vacations:** Leave the appliance operating during vacations of less than three weeks.
- **Long vacations:** If the appliance will not be used for several months, remove all items and turn off the appliance. Defrost, clean and dry the interior thoroughly. To prevent odor and mold growth, leave the lid open slightly, blocking it open if necessary.

### MOVING

- Remove all contents.
- Tape the lid shut.
- Be sure the appliance remains in the upright position during transportation. Protect the outside of the appliance with a blanket.
- If the appliance is placed on its back or side during transportation, upon reaching the destination, allow it to remain in its operating position for 6 hours to avoid damage to internal components.

### DISPOSAL

This appliance may not be treated as regular household waste, it should be taken to the appropriate waste collection point for recycling of electrical components. For information on local waste collection points, contact your local waste removal agency or government office.

Disposal of this appliance should be in accordance with federal and local regulations.

## TROUBLESHOOTING

**Danby Consumer Care: 1-800-263-2629**

**Hours of operation:**

Monday to Thursday 8:30 am - 6:00 pm Eastern Standard Time

Friday 8:30 am - 4:00 pm Eastern Standard Time

Information in this manual is subject to change without notice.

<b>PROBLEM</b>	<b>POSSIBLE CAUSE</b>
<b>No power</b>	<ul style="list-style-type: none"><li>• A fuse may be blown or the circuit breaker tripped</li><li>• Plug not fully inserted into the wall outlet</li></ul>
<b>Internal temperature not cold enough</b>	<ul style="list-style-type: none"><li>• Temperature setting is too warm</li><li>• The lid is not shut properly or opened excessively</li><li>• Recently added a large quantity of warm food to the cabinet</li><li>• Close proximity to heat source or direct sunlight</li><li>• Ambient temperature or humidity is very high</li></ul>
<b>Appliance runs continuously</b>	<ul style="list-style-type: none"><li>• Temperature setting is too cold</li><li>• The lid is not shut properly or opened excessively</li><li>• Recently added a large quantity of warm food to the cabinet</li><li>• Close proximity to heat source or direct sunlight</li><li>• Ambient temperature or humidity is very high</li></ul>
<b>The appliance makes a gurgling noise when operating</b>	<ul style="list-style-type: none"><li>• This noise is completely normal. The refrigerant inside the appliance will make a gurgling noise as it changes from a liquid to a gas and back again.</li></ul>



## LIMITED "CARRY IN" WARRANTY

This quality product is warranted to be free from manufacturer's defects in material and workmanship, provided that the unit is used under the normal operating conditions intended by the manufacturer.

This warranty is available only to the person to whom the unit was originally sold by Danby Products Limited (Canada) or Danby Products Inc. (U.S.A.) (hereafter "Danby") or by an authorized distributor of Danby, and is non-transferable.

### TERMS OF WARRANTY

Plastic parts are warranted for thirty (30) days from the date of purchase, with no extensions provided.

**First 12 months** During the first **twelve (12) months**, any functional parts of this product found to be defective, will be repaired or replaced, at warrantor's option, at no charge to the original purchaser.

**To obtain service** Contact the dealer where the unit was purchased, or contact the nearest authorized Danby service depot, where service must be performed by a qualified service technician. If service is performed on the unit by anyone other than an authorized service depot, all obligations of Danby under this warranty shall be void.

It is the responsibility of the purchaser to transport the appliance to the nearest authorized service depot.

Transportation charges to and from the service location are not protected by this warranty and are the responsibility of the purchaser.

Nothing within this warranty shall imply that Danby will be responsible or liable for any spoilage or damage to food or other contents of this appliance, whether due to any defect of the appliance, or its use, whether proper or improper.

### EXCLUSIONS

Save as herein provided, by Danby, there are no other warranties, conditions, representations or guarantees, express or implied, made or intended by Danby or its authorized distributors and all other warranties, conditions, representations or guarantees, including any warranties, conditions, representations or guarantees under any Sale of Goods Act or like legislation or statute is hereby expressly excluded. Save as herein provided, **Danby shall not be responsible for any damages to persons or property, including the unit itself, howsoever caused or any consequential damages arising from the malfunction of the unit and by the purchase of the unit, the purchaser does hereby agree to indemnify and hold harmless Danby from any claim for damages to persons or property caused by the unit.**

### GENERAL PROVISIONS

No warranty or insurance herein contained or set out shall apply when damage or repair is caused by any of the following:

- 1) Power failure.
- 2) Damage in transit or when moving the appliance.
- 3) Improper power supply such as low voltage, defective house wiring or inadequate fuses.
- 4) Accident, alteration, abuse or misuse of the appliance such as inadequate air circulation in the room or abnormal operating conditions (ie. extremely high or low room temperature).
- 5) Use for commercial or industrial purposes (ie. If the appliance is not installed in a domestic residence).
- 6) Fire, water damage, theft, war, riot, hostility, acts of God such as hurricanes, floods etc.
- 7) Service calls resulting in customer education.
- 8) Improper Installation (ie. Building-in of a free standing appliance or using an appliance outdoors that is not approved for outdoor application, including but not limited to: garages, patios, porches or anywhere that is not properly insulated or climate controlled).

Proof of purchase date will be required for warranty claims; retain bills of sale. In the event that warranty service is required, present the proof of purchase to our authorized service depot.

**Warranty Service**  
Carry In

Danby Products Limited  
PO Box 1778, Guelph, Ontario, Canada N1H 6Z9  
Telephone: (519) 837-0920 FAX: (519) 837-0449

**1-800-263-2629**  
04/17

Danby Products Inc.  
PO Box 669, Findlay, Ohio, U.S.A. 45840  
Telephone: (419) 425-8627 FAX: (419) 425-8629

# Bienvenue

Bienvenue à la famille Danby. Nous sommes fiers de la qualité de nos produits et nous croyons au service fiable. Nous vous suggérons de lire ce manuel d'utilisation avant de brancher votre nouvel appareil, car il contient des informations importantes sur l'utilisation, la sécurité, le dépannage et la maintenance, afin d'assurer la fiabilité et la longévité de votre appareil.

Visitez [www.Danby.com](http://www.Danby.com) pour accéder aux outils d'autoservice, aux FAQ et bien plus encore. Pour obtenir de l'aide supplémentaire, composez le **1-800-263-2629**.

**Notez les informations ci-dessous; Vous aurez besoin de cette information pour obtenir un service sous garantie.**

**Vous devez fournir le reçu d'achat original pour valider votre garantie et recevoir le service.**

**Numéro de modèle :** \_\_\_\_\_

**Numéro de série :** \_\_\_\_\_

**Date d'achat :** \_\_\_\_\_

## Besoin d'assistance?

Avant d'appeler pour le service, voici quelques choses que vous pouvez faire pour nous aider à mieux vous servir.

### **Lire ce manuel du propriétaire :**

Il contient des instructions pour vous aider à utiliser et à entretenir votre appareil correctement.

### **Si vous recevez un appareil endommagé :**

Contactez immédiatement le revendeur ou l'entrepreneur qui vous a vendu l'appareil.

### **Gagnez du temps et de l'argent :**

Avant d'appeler pour le service, consultez la section de dépannage à la fin de ce manuel. Cette section vous aidera à résoudre les problèmes courants pouvant survenir.



1-800-26- Danby  
(1-800-263-2629)



## Consignes de sécurité importantes

### LIRE ET SUIVRE TOUTES LES INSTRUCTIONS DE SÉCURITÉ

#### EXIGENCES DE SÉCURITÉ

**DANGER** : Risque d'incendie ou d'explosion.  
Liquide frigorigène inflammable utilisé. Ne pas percer les tubes de réfrigérant.

- N'utilisez pas de dispositifs mécaniques pour dégivrer le réfrigérateur.
- Assurez-vous que l'entretien est effectué par le personnel de service autorisé en usine, afin de minimiser les dommages sur les produits ou les questions de sécurité.
- Consultez le manuel de réparation ou le guide du propriétaire avant d'essayer de réparer ce produit. Toutes les précautions de sécurité doivent être respectées.
- Éliminer conformément aux règlements fédéraux ou locaux.
- Suivez attentivement les instructions de manutention.
- Ne pas stocker des substances explosives comme les bombes aérosol avec un propulseur inflammable dans cet appareil.

**AVERTISSEMENT** : Garder les ouvertures de ventilation, dans l'enceinte de l'appareil ou dans la structure intégrée, sans obstruction.

**AVERTISSEMENT** : N'utilisez pas de dispositifs mécaniques ou d'autres moyens pour accélérer le processus de dégivrage, autres que ceux recommandés par le fabricant.

**AVERTISSEMENT** : Ne pas endommager le circuit de réfrigérant.

**AVERTISSEMENT** : N'utilisez pas d'appareils électriques à l'intérieur des compartiments de stockage d'aliments de l'appareil, à moins qu'ils ne soient du type recommandé par le fabricant.

**ATTENTION** : Les enfants devraient être surveillés pour s'assurer qu'ils ne jouent pas avec l'appareil.

**DANGER** : Risque de piégeage des enfants. Avant de jeter un ancien appareil :

- Retirez la porte ou le couvercle.
- Laissez les étagères en place afin que les enfants ne puissent pas facilement monter à l'intérieur.

**DANGER**: N'ajoutez pas de verrou à la porte ou au couvercle. Cela peut entraîner le piégeage et le préjudice des enfants.

#### EXIGENCES DE SÉCURITÉ

Cet appareil n'est pas destiné à être utilisé par des personnes (y compris des enfants) dont les capacités physiques, sensorielles ou mentales peuvent être différentes ou réduites, ou qui n'ont pas d'expérience ou de connaissances, à moins que ces personnes ne reçoivent de supervision ou de formation pour faire fonctionner l'appareil par une personne responsable de leur sécurité.

Cet appareil est destiné à être utilisé dans des applications domestiques et similaires telles que:

- Cuisines du personnel dans les magasins, les bureaux et autres environnements de travail;
- Les maisons de ferme et par les clients dans les hôtels, motels et autres environnements de type résidentiel;
- Chambres d'hôtes;
- Restauration et applications similaires non commerciales.

#### INSTRUCTIONS DE MISE À LA TERRE

Cet appareil doit être mis à la terre. La mise à la terre réduit le risque de choc électrique en fournissant un fil d'échappement pour le courant électrique.

Cet appareil possède un cordon doté d'un fil de mise à la terre avec une fiche à 3 broches. Le cordon d'alimentation doit être branché sur une prise correctement mise à la terre. Si la sortie est une prise murale à 2 broches, elle doit être remplacée par une prise murale à 3 broches correctement mise à la terre. La plaque signalétique en série indique la tension et la fréquence auxquelles l'appareil est conçu.

**AVERTISSEMENT** - Une utilisation incorrecte de la fiche de mise à la terre peut entraîner un risque d'électrocution. Consultez un électricien qualifié ou un agent de service si les instructions de mise à la terre ne sont pas complètement comprises ou s'il existe un doute quant à savoir si l'appareil est correctement mis à la terre.

**Ne branchez pas votre appareil à des rallonges ou avec un autre appareil dans la même prise murale.** Ne pas épisser le cordon d'alimentation. Ne coupez ou retirez en aucun cas la troisième broche du cordon d'alimentation. N'utilisez pas de cordons de prolongement ou d'adaptateurs sans mise à la terre (deux broches).

Si le cordon d'alimentation est endommagé, il doit être remplacé par le fabricant, son agent de service ou une personne qualifiée similaire afin d'éviter tout risque.

**GARDEZ CES INSTRUCTIONS!**

## INSTRUCTIONS D'INSTALLATION

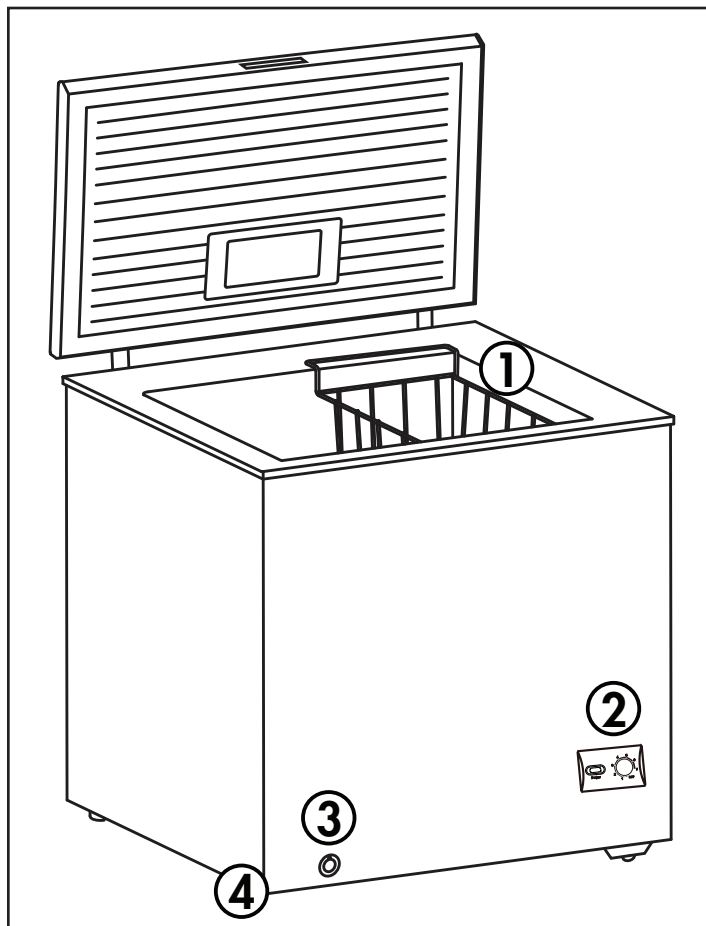
### EMPLACEMENT

- Deux personnes doivent être utilisées pour déplacer l'appareil.
- Retirer l'emballage intérieur et extérieur avant l'installation. Essuyez l'extérieur de l'appareil avec un chiffon doux et sec et à l'intérieur avec un chiffon humide tiède.
- Placez votre appareil sur un plancher qui est assez fort pour le soutenir quand il est complètement chargé.
- Ne placez pas l'appareil directement dans la lumière du soleil ou à proximité de sources de chaleur, comme un poêle ou un réchauffeur, car cela peut augmenter la consommation électrique. Des températures ambiantes extrêmes et froides peuvent également provoquer dysfonctionnement de l'appareil.
- Ne pas utiliser ce produit près de l'eau, par exemple, dans un sous-sol humide ou près d'un évier.
- Cet appareil est destiné à un usage domestique seulement. Cette unité n'est pas conçue pour une installation extérieure, y compris une installation où la température n'est pas contrôlée (garages, porches, carports, etc.).
- Avant de brancher l'appareil à une source d'alimentation, laissez-le debout pendant environ 6 heures; Ceci réduira la possibilité d'un dysfonctionnement dans le système de refroidissement de la manipulation pendant le transport.
- Laisser 12,7 cm (5 pouces) d'espace entre le dos, les côtés et le dessus de l'appareil et les parois adjacentes.
- Cet appareil est destiné uniquement à une installation autonome et ne doit pas être intégré dans une armoire ou un compteur. La construction de cet appareil peut provoquer un dysfonctionnement.
- **IMPORTANT:** Avant d'utiliser l'appareil, retirez le bouchon en caoutchouc du sac d'accessoires et installez-le à l'intérieur de l'appareil. Ne faites pas fonctionner l'appareil sans que la fiche ne soit installée car cela pourrait provoquer des fuites d'eau et endommager le revêtement de sol.

## CONSIGNES D'UTILISATION

### CARACTÉRISTIQUES

1. Panier de fil
2. Panneau de contrôle
3. Drainage pour dégivrage
4. Pied réglable



### REMARQUE IMPORTANTE

Le couvercle du congélateur peut être difficile à ouvrir immédiatement après la fermeture. Ceci est normal et est dû à la différence de pression entre l'intérieur froid du congélateur et l'air chaud qui vient d'entrer dans le congélateur lorsque le couvercle a été ouvert. La pression sera équilibrée en quelques minutes.

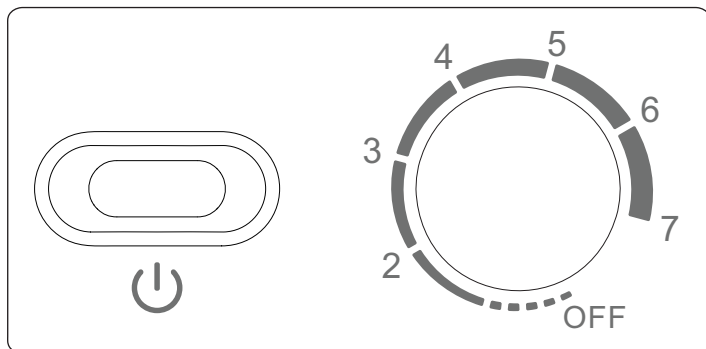
Si le couvercle est particulièrement difficile à ouvrir, attendez 5 minutes pour permettre à la pression d'égaliser puis réessayez.

## CONSIGNES D'UTILISATION

### CONTRÔLE DE LA TEMPÉRATURE

La température de l'appareil est contrôlée en réglant le cadran du thermostat à l'avant de l'armoire.

- Le chiffre 1 indique le réglage le plus chaud. Le chiffre 7 indique le réglage le plus froid.
- Le paramètre numéro 5 devrait être suffisant pour une utilisation normale à la maison.
- Pour arrêter la fonction de refroidissement, tournez le cadran sur la position «OFF».



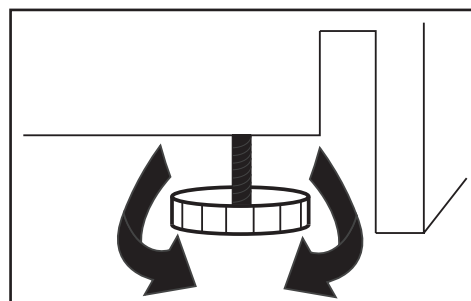
#### Remarques:

- La température à l'intérieur de l'appareil peut varier en fonction de la température ambiante, de la fréquence à laquelle la couvercle est ouvert et de la quantité d'aliments frais récemment ajoutée à l'appareil.
- Ne pas surcharger l'appareil car cela peut affecter les performances.
- Ne pas congeler de grandes quantités de nourriture fraîche en même temps.

### INSTRUCTIONS DE NIVEAU

Il y a deux pieds réglables au bas de l'armoire qui peuvent être ajustés pour s'assurer que l'appareil est au niveau. Pour niveler l'appareil:

1. Tournez le pied réglable dans le sens inverse des aiguilles d'une montre jusqu'à ce que le haut du pied touche le bas de l'armoire.
2. Tournez lentement le pied réglable dans le sens des aiguilles d'une montre jusqu'à ce que l'appareil soit à niveau.



# CONSIGNES D'UTILISATION

## DÉGIVRAGE

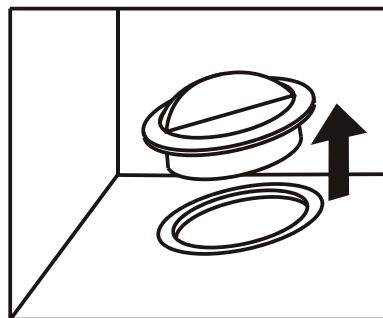
Cet appareil doit être dégivré environ deux fois par an ou lorsqu'une couche de givre de 6 mm (1/4 de pouce) est formé.

Débranchez l'appareil, retirez tout le contenu et laissez le couvercle ouvert. Suivez les instructions ci-dessous:

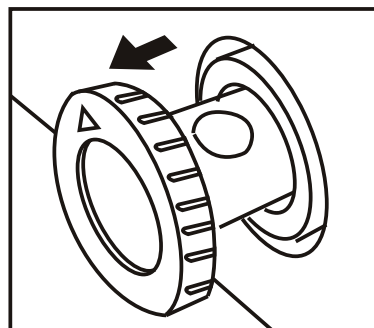
1. Le drain de dégivrage intérieur est situé sur le plancher intérieur de l'armoire. Retirez le couvercle en caoutchouc du drain de dégivrage. L'eau dégivrée coule dans le trou et sort à travers le bouchon de vidange de dégivrage extérieur. Voir la figure 1.
2. Le bouchon de vidange de dégivrage extérieur est situé à l'avant de l'armoire. Retirez délicatement le bouchon de vidange extérieur d'environ 20 à 25 mm jusqu'à ce que le trou d'eau soit visible. Voir la figure 2.
3. Faites tourner le bouchon de vidange extérieur de sorte que la flèche pointe vers le bas. Voir la figure 3.
4. Placez un seau ou une casserole sous le bouchon de vidange pour attraper l'eau dégivrée. Vérifiez régulièrement l'appareil pendant le dégivrage pour assurer que l'eau ne déborde pas.
5. Lorsque toute l'eau a été vidangée, tordez le bouchon de vidange jusqu'à ce que la flèche soit orientée vers le haut, puis enfoncez vers l'intérieur jusqu'à ce qu'elle soit au ras de l'armoire. Voir la figure 4.
6. Remplacez le couvercle en caoutchouc dans le drain de dégivrage intérieur.

Une fois le dégivrage terminé, réglez le contrôle de la température au maximum pendant 2 à 3 heures avant de revenir au réglage de température désiré.

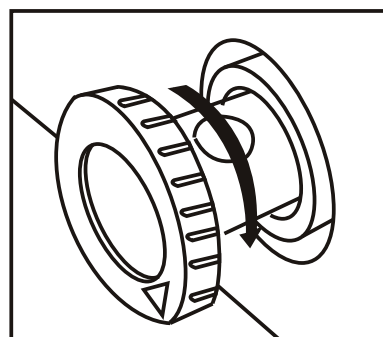
1



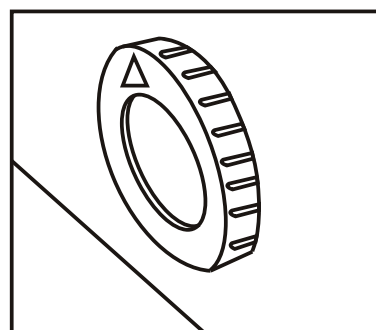
2



3



4



### IMPORTANT

**Ne jamais utiliser d'appareils électriques pendant le dégivrage. Ne pas utiliser d'objets pointus ou tranchants pour enlever le givre car cela peut endommager les conduites de fluide frigorigène. Si ces lignes sont accidentellement percées, cela rend le congélateur inopérant et annulera la garantie du fabricant.**

## SOINS ET ENTRETIEN

### NETTOYAGE

Assurez-vous que l'appareil est débranché avant de nettoyer une partie de l'appareil.

- Pour nettoyer l'intérieur de l'appareil, utilisez un chiffon doux et une solution d'une cuillère à soupe de bicarbonate de soude à un quart d'eau ou une solution de savon doux ou un détergent doux.
- Nettoyez l'extérieur avec un chiffon doux et humide et un peu de détergent doux.
- Il est important de garder la région de scellement de la couvercle sur l'armoire propre. Nettoyez avec un tissu savonneux, rincez le région et puis séchez.

**Remarque:** N'utilisez pas de produits nettoyants comprenant de l'ammoniaque ou de l'alcool sur l'appareil. L'ammoniaque ou l'alcool peuvent altérer le fini de l'appareil. N'utilisez jamais de nettoyant industriels sur aucune partie de votre appareil.

### PANNE DE COURANT

La plupart des pannes de courant ne durent que quelques heures et ne devraient pas modifier la température de votre l'appareil si vous réduisez au maximum le nombre de fois où la couvercle est ouverte. Si le courant reste coupé pendant une longue période, il faut prendre des mesures de protection du contenu de l'appareil.

**Remarque:** Attendez 3 à 5 minutes avant d'essayer de redémarrer le réfrigérateur si l'opération a été interrompue.

### CONSEIL RELATIF AUX ÉCONOMIES D'ÉNERGIE

L'appareil doit être situé dans la zone la plus fraîche de la pièce, loin des appareils de production de chaleur et hors de la lumière directe du soleil. Ne pas surcharger l'appareil ou bloquer les ouvertures de ventilation.

### VACANCES

- **Courtes vacances:** Laissez l'appareil fonctionner pendant les vacances durant moins de trois semaines.
- **Longues vacances:** Si l'appareil ne doit pas être utilisé pendant plusieurs mois, retirez tout ce qu'il contient et mettez-le hors tension. Nettoyez et asséchez à fond l'intérieur. Pour éviter les odeurs et le développement de moisissures, laissez la couvercle entrouverte, la coincer au besoin.

### DÉMÉNAGER

- Supprimez tous les éléments.
- Fermez la couvercle.
- Assurez-vous que l'appareil reste en position verticale pendant le transport. Protégez également l'extérieur de l'appareil avec une couverture.
- Si l'appareil est placé sur le dos ou le côté pendant le transport, en arrivant à la destination, lui permettre de rester en position de travail pendant 6 heures pour éviter d'endommager les composants internes.

### ÉLIMINATION DES DÉCHETS

Ce produit ne doit pas être traité comme un déchet domestique ordinaire, il doit être transporté au point de collecte approprié pour le recyclage des composants électriques. Pour obtenir des renseignements sur les points de collecte des déchets locaux, communiquez avec votre agence locale de traitement des déchets ou avec le bureau du gouvernement.

L'élimination de cet appareil devrait être conforme aux règlements fédéraux et locaux.

## DÉPANNAGE

**Danby soins du consommateur: 1-800-263-2629**

**Heures d'ouverture:**

Lundi à Jeudi 8 h 30 à 18 h, heure normale de l'Est  
Vendredi de 8 h 30 à 16 h, heure normale de l'Est

Les informations contenues dans ce manuel sont sujettes à modification sans préavis.

<b>PROBLÈME</b>	<b>CAUSE POSSIBLE</b>
<b>L'appareil n'est pas alimenté</b>	<ul style="list-style-type: none"><li>• Un fusible de votre panneau de distribution peut être grillé ou le disjoncteur déclenché</li><li>• La fiche n'est pas complètement insérée dans prise murale</li></ul>
<b>La température interne n'est pas assez froide</b>	<ul style="list-style-type: none"><li>• Le réglage de la température est trop chaud</li><li>• La couvercle n'est pas fermées correctement ou ouverte trop souvent</li><li>• Ajout récemment d'une grande quantité de nourriture chaude au cabinet</li><li>• Proximité de la source de chaleur ou de la lumière directe du soleil</li><li>• La température ambiante ou l'humidité est très élevée</li></ul>
<b>L'appareil fonctionne en continu</b>	<ul style="list-style-type: none"><li>• Le réglage de la température est trop froid</li><li>• La couvercle n'est pas fermées correctement ou ouverte trop souvent</li><li>• Ajout récemment d'une grande quantité de nourriture chaude au cabinet</li><li>• Proximité de la source de chaleur ou de la lumière directe du soleil</li><li>• La température ambiante ou l'humidité est très élevée</li></ul>
<b>L'appareil fait un gargouillement lors de l'utilisation</b>	<ul style="list-style-type: none"><li>• Ce bruit est complètement normal. Le fluide frigorigène à l'intérieur de l'appareil produira un bruit de gargouille à mesure qu'il change d'un liquide à un gaz et retourne.</li></ul>



## GARANTIE LIMITÉE « EN ATELIER »

Cet appareil de qualité est garanti exempt de tout vice de matière première et de fabrication, s'il est utilisé dans les conditions normales recommandées par le fabricant.

Cette garantie n'est offerte qu'à l'acheteur initial de l'appareil vendu par Danby Products Limited (Canada) ou Danby Products Inc. (É.-U.) (ci-après « Danby ») ou par l'un des ses distributeurs agréés et elle ne peut être transférée.

### CONDITIONS

Les pièces en plastique sont garanties pendant trente (30) jours seulement à partir de la date de l'achat, sans aucune prolongation prévue.

**Premiers 12 mois** Pendant les premiers **douze (12) mois**, toutes les pièces fonctionnelles de ce produit qui s'avèrent défectueuses seront réparées ou remplacées, selon le choix du garant, sans frais à l'acheteur initial.

**Pour obtenir un service** Contactez le revendeur où l'appareil a été acheté ou contactez le dépôt de service Danby autorisé le plus proche, où le service doit être effectué par un technicien de service qualifié. Si le service est effectué sur l'appareil par une personne autre qu'un dépôt de service autorisé, toutes les obligations de Danby en vertu de cette garantie seront annulées.

Il est de la responsabilité de l'acheteur de transporter l'appareil vers le dépôt de service agréé le plus proche.

Les frais de transport entre votre domicile et le lieu de l'entretien ne sont pas couverts par la présente garantie et doivent être acquittés par l'acheteur.

Aucune partie de la garantie ne prévoit implicitement que le fabricant sera tenu responsable des dommages subis par les aliments ou d'autres types de contenu, qu'ils soient causés par la défectuosité de l'appareil ou par son usage adéquat ou inadéquat.

### EXCLUSIONS

En vertu de la présente, il n'existe aucune autre garantie, condition ou représentation, qu'elle soit exprimée ou tacite, de façon manifeste ou intentionnelle, par Danby ou ses distributeurs agréés. De même, sont exclues toutes les autres garanties, conditions ou représentations, y compris les garanties, conditions ou représentations en vertu de toute loi régissant la vente de produits ou de toute autre législation ou règlement semblable. **En vertu de la présente, Danby ne peut être tenue responsable en cas de blessures corporelles ou de dégâts matériels, y compris à l'appareil, quelle qu'en soit les causes. Danby ne peut pas être tenue responsable des dommages indirects dus au fonctionnement défectueux de l'appareil. En achetant l'appareil, l'acheteur accepte de tenir sans reproche et de dégager Danby de toute responsabilité en cas de réclamation pour toute blessure corporelle ou tout dégât matériel causé par cet appareil.**

### CONDITIONS GÉNÉRALES

La garantie ou assurance ci-dessus ne s'applique pas si les dégâts ou réparations sont dus aux cas suivants :

- 1) Panne de courant.
- 2) Dommages subis pendant le transport ou le déplacement de l'appareil.
- 3) Alimentation électrique incorrecte (tension faible, câblage défectueux, fusibles incorrects).
- 4) Accident, modification, emploi abusif ou incorrect de l'appareil tel qu'une circulation d'air inadéquate dans la pièce ou des conditions de fonctionnement anormales (température extrêmement élevée ou basse).
- 5) Utilisation dans un but commercial ou industriel (à savoir, si l'appareil n'est pas installé dans un domicile résidentiel).
- 6) Incendie, dommages causés par l'eau, le vol, la guerre, une émeute, des hostilités, ou en cas de force majeure (ouragan, inondation, etc.).
- 7) Visites d'un technicien pour expliquer le fonctionnement de l'appareil au propriétaire.
- 8) Installation inappropriée (par exemple, encastrement d'un appareil autoportant, ou utilisation extérieure d'un appareil non conçu à cet effet, y compris, mais sans s'y limiter : les garages, les patios, les porches ou ailleurs, qui ne sont pas correctement isolés ou climatisés).

La preuve de la date d'achat sera requise pour les réclamations de garantie; conserver la facture de vente. Dans le cas où un service de garantie est requis, présentez la preuve d'achat à notre dépôt de service agréé.

### Service sous garantie

En Atelier

Danby Products Limited  
PO Box 1778, Guelph, Ontario, Canada N1H 6Z9  
Téléphone : (519) 837-0920 Télécopieur : (519) 837-0449

**1-800-263-2629**  
02/18

Danby Products Inc.  
PO Box 669, Findlay, Ohio, U.S.A. 45840  
Téléphone : (419) 425-8627 Télécopieur : (419) 425-8629

# Bienvenido

Bienvenido a la familia Danby. Estamos orgullosos de nuestros productos de calidad y creemos en un servicio confiable. Sugerimos que lea este manual del propietario antes de conectar el nuevo aparato ya que contiene información importante sobre la operación, información de seguridad, solución de problemas y consejos de mantenimiento para garantizar la fiabilidad y longevidad de su electrodoméstico.

Visite **www.Danby.com** para acceder a herramientas de autoservicio, preguntas frecuentes y mucho más. Para asistencia adicional, llame al **1-800-263-2629**.

**Tenga en cuenta la información siguiente; Necesitará esta información para obtener un servicio bajo garantía.**

**Debe proporcionar el recibo de compra original para validar su garantía y recibir servicio.**

**Número de modelo:** \_\_\_\_\_

**Número de serie:** \_\_\_\_\_

**Fecha de compra:** \_\_\_\_\_

## Necesitas ayuda?

Antes de llamar al servicio, aquí hay algunas cosas que puede hacer para ayudarnos a servirle mejor.

### **Lea este manual del propietario:**

Contiene instrucciones para ayudarlo a usar y mantener su aparato correctamente.

### **Si recibe un aparato dañado:**

Inmediatamente póngase en contacto con el minorista o el constructor que le vendió el aparato.

### **Ahorre tiempo y dinero:**

Consulte la sección de solución de problemas al final de este manual antes de llamar. Esta sección le ayudará a resolver problemas comunes que pueden ocurrir.



1-800-26- Danby  
(1-800-263-2629)



## Importantes Instrucciones de Seguridad

### LEA Y SIGA TODAS LAS INSTRUCCIONES DE SEGURIDAD

#### REQUERIMIENTOS DE SEGURIDAD

**PELIGRO:** Riesgo de incendio o explosión. Refrigerante inflamable usado. No perforar la tubería del refrigerante.

- No utilice dispositivos mecánicos para descongelar el refrigerador.
- Asegúrese de que el personal de mantenimiento autorizado por la fábrica haga el mantenimiento para minimizar los daños o problemas de seguridad del producto.
- Consulte el manual de reparación o la guía del propietario antes de intentar reparar este producto. Todas las precauciones de seguridad deben ser seguidas.
- Deseche adecuadamente de acuerdo con las regulaciones federales o locales.
- Siga cuidadosamente las instrucciones de manipulación.
- No almacene sustancias explosivas como aerosoles con propelente inflamable en este electrodoméstico.

**ADVERTENCIA:** Mantenga las aberturas de ventilación, en la caja del aparato o en la estructura incorporada, sin obstrucción.

**ADVERTENCIA:** No utilice dispositivos mecánicos u otros medios para acelerar el proceso de descongelación, distintos de los recomendados por el fabricante.

**ADVERTENCIA:** No dañar el circuito refrigerante.

**ADVERTENCIA:** No utilice electrodomésticos dentro de los compartimentos de almacenamiento de alimentos del aparato, a menos que sean del tipo recomendado por el fabricante.

**PRECAUCIÓN:** Los niños deben ser supervisados para asegurarse de que no juegan con el aparato.

**PELIGRO:** Riesgo de atrapamiento de niños. Antes de tirar un electrodoméstico viejo:

- Retire la puerta o la tapa.
- Deje los estantes en su lugar para que los niños no puedan subir fácilmente dentro.

**PELIGRO:** No agregue un candado a la puerta o tapa. Esto puede causar atrapamiento y daño al niño.

#### REQUERIMIENTOS DE SEGURIDAD

Este aparato no está diseñado para ser usado por personas (incluyendo niños) cuyas capacidades físicas, sensoriales o mentales pueden ser diferentes o reducir, o que carecen de experiencia o conocimiento, a menos que dichas personas reciban supervisión o entrenamiento para operar el aparato por una persona responsable de su la seguridad.

Este dispositivo está destinado a ser utilizado en aplicaciones domésticas y similares, tales como:

- Cocinas de personal en tiendas, oficinas y otros entornos de trabajo;
- Casas rurales y clientes en hoteles, moteles y otros entornos de tipo residencial;
- Cama y desayuno;
- Catering y aplicaciones similares no minoristas.

#### INSTRUCCIONES DE CONEXION A TIERRA

Este aparato debe estar conectado a tierra. La puesta a tierra reduce el riesgo de descarga eléctrica proporcionando un cable de escape para la corriente eléctrica.

Este aparato tiene un cable que tiene un cable de conexión a tierra con un enchufe de 3 clavijas. El cable de alimentación debe estar enchufado en un tomacorriente que esté debidamente conectado a tierra. Si el tomacorriente es un enchufe de pared de 2 terminales, debe ser reemplazado por un tomacorriente de pared de 3 clavijas debidamente conectado a tierra. La placa de características en serie indica el voltaje y la frecuencia que el aparato está diseñado para.

**ADVERTENCIA** - El uso incorrecto del enchufe de conexión a tierra puede resultar en un riesgo de descarga eléctrica. Consulte a un electricista calificado o agente de servicio si las instrucciones de conexión a tierra no se entienden completamente o si existe duda sobre si el aparato está debidamente conectado a tierra.

**No conecte el aparato a los cables de extensión ni con otro aparato en la misma toma de corriente.**

No empalme el cable de alimentación. No corte ni extraiga en ningún caso la tercera clavija de tierra del cable de alimentación. No utilice cables de extensión ni adaptadores sin conexión a tierra (dos clavijas).

Si el cable de alimentación está dañado, debe ser reemplazado por el fabricante, su agente de servicio o persona calificada similar para evitar riesgos.

**¡GUARDE ESTAS INSTRUCCIONES!**

## INSTRUCCIONES DE INSTALACIÓN

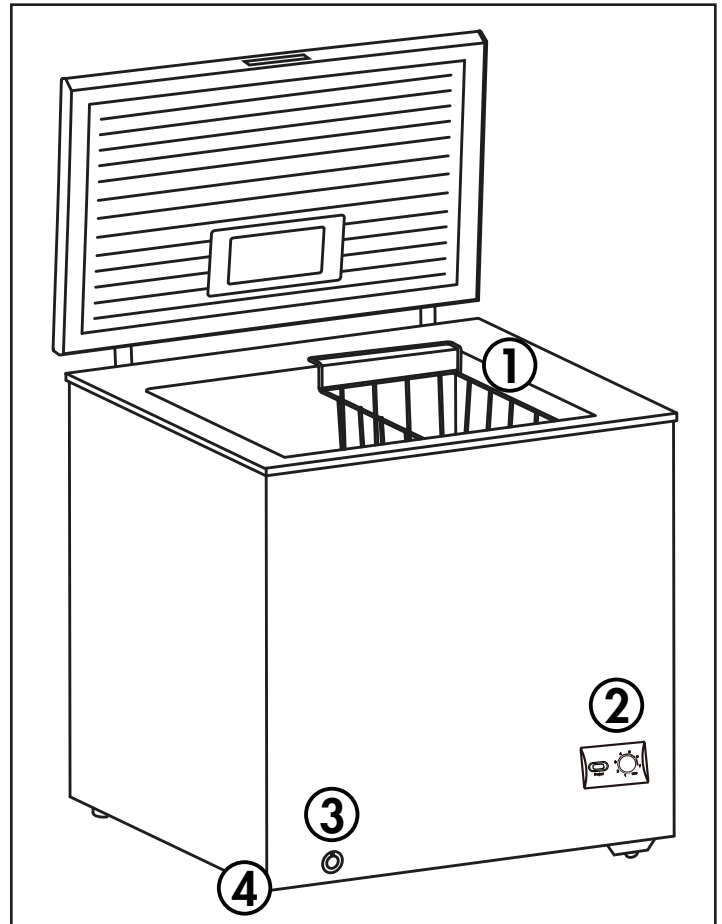
### UBICACIÓN

- Se deben utilizar dos personas al mover el aparato.
- Retire el embalaje interior y exterior antes de la instalación. Limpie el exterior del aparato con un paño suave y seco y el interior con un paño húmedo tibio.
- Coloque el aparato en un piso que sea lo suficientemente fuerte como para soportarlo cuando esté completamente cargado.
- Ubique el aparato lejos de la luz directa del sol y fuentes de calor (estufa, calentador, radiador, etc.). La luz solar directa y las fuentes de calor pueden aumentar el consumo eléctrico. Las temperaturas ambientales extremadamente frías también pueden causar que la unidad funcione incorrectamente.
- No utilice este producto cerca del agua, por ejemplo, en un sótano húmedo o cerca de un fregadero.
- Este aparato está diseñado para uso doméstico solamente. Esta unidad no está diseñada para instalación exterior, incluida la instalación en cualquier lugar que no sea de temperatura controlada (garajes, porches, cocheras, etc.).
- Antes de conectar el aparato a una fuente de alimentación, deje que se mantenga erguido durante aproximadamente 6 horas; Esto reducirá la posibilidad de un mal funcionamiento en el sistema de enfriamiento debido a la manipulación durante el transporte.
- Espere 12.7 cm (5 pulgadas) de espacio entre la parte posterior, los lados y la parte superior del aparato y todas las paredes adyacentes.
- Este aparato está diseñado para instalación independiente y no está diseñado para ser instalado en un gabinete o mostrador. La construcción en este aparato puede causar un mal funcionamiento.
- **IMPORTANTE:** Antes de usar el aparato, quite el tapón de goma de la bolsa de accesorios e instálelo en el interior del aparato. No haga funcionar el aparato sin el enchufe instalado ya que esto puede causar fugas de agua y daños en el piso.

## INSTRUCCIONES DE OPERACIÓN

### CARACTERÍSTICAS

1. Cesta de alambre
2. Panel de control
3. Drenaje de descongelación
4. Pie ajustable



### NOTA IMPORTANTE

La tapa del congelador puede ser difícil de abrir inmediatamente después de cerrarla. Esto es normal y se debe a la diferencia de presión entre el interior frío del congelador y el aire caliente que acaba de entrar en el congelador cuando se abrió la tapa. La presión se igualará en pocos minutos.

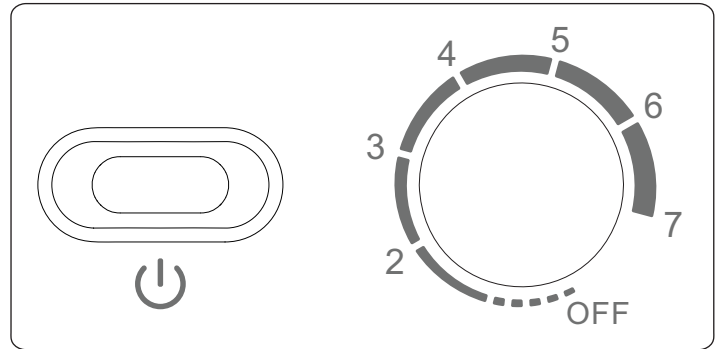
Si la tapa es especialmente difícil de abrir, espere 5 minutos para que la presión se iguale y vuelva a intentarlo.

# INSTRUCCIONES DE OPERACIÓN

## CONTROL DE TEMPERATURA

La temperatura del aparato se controla ajustando el dial del termostato en la parte frontal del armario.

- El número 1 indica el ajuste más cálido. El número 7 indica el ajuste más frío.
- El ajuste número 5 debe ser suficiente para el uso doméstico regular.
- Para detener la función de enfriamiento, gire el dial a la posición "OFF".



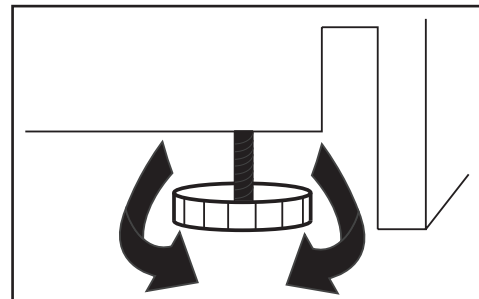
### Notas:

- La temperatura en el interior del aparato puede variar en función de la temperatura ambiente, la frecuencia con que se abre la tapa y la cantidad de alimentos frescos que se han añadido recientemente al aparato.
- No sobrecargue el aparato ya que esto puede afectar el rendimiento.
- No congele grandes cantidades de alimentos frescos al mismo tiempo.

## INSTRUCCIONES DE NIVELACIÓN

Hay dos pies ajustables en la parte inferior del gabinete que se pueden ajustar para asegurar que el aparato esté nivelado. Para nivelar el aparato:

1. Gire el pie ajustable en sentido contrario a las agujas del reloj hasta que la parte superior del pie toque la parte inferior del armario.
2. Gire lentamente el pie ajustable en el sentido de las agujas del reloj hasta que el aparato esté nivelado.



# INSTRUCCIONES DE OPERACIÓN

## DESCONGELACIÓN

Este aparato se descongelará aproximadamente dos veces al año o cuando se haya formado una capa de hielo de 6 mm (1/4 de pulgada).

Desconecte el aparato, retire todo el contenido y deje la tapa abierta. Siga las instrucciones de abajo:

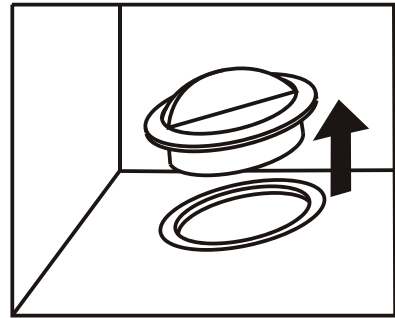
1. El desagüe de desescarche interior se encuentra en el piso interior del gabinete. Retire la cubierta de goma del desagüe de descongelación. El agua descongelada fluirá hacia el interior del orificio y saldrá a través del tapón de drenaje exterior del desescarche. Vea la Figura 1.
2. El tapón de desagüe exterior está situado en la parte frontal del armario. Saque suavemente el tapón de drenaje exterior aproximadamente 20 - 25 mm hasta que el agujero de agua sea visible. Vea la Figura 2.
3. Gire el tapón de drenaje exterior de modo que la flecha apunte hacia abajo. Vea la Figura 3.
4. Coloque un cubo o cacerola debajo del tapón de drenaje para coger el agua descongelada. Compruebe el aparato regularmente durante la descongelación para asegurarse de que el agua no se desborda.
5. Cuando se haya drenado todo el agua, gire la tapa de drenaje hasta que la flecha apunte hacia arriba y luego empuje hacia dentro hasta que esté a ras con el gabinete. Vea la Figura 4.
6. Vuelva a colocar la cubierta de goma en el desagüe de desescarche interior.

Una vez finalizada la descongelación, ajuste el control de temperatura al máximo durante 2 a 3 horas antes de volver a la temperatura deseada.

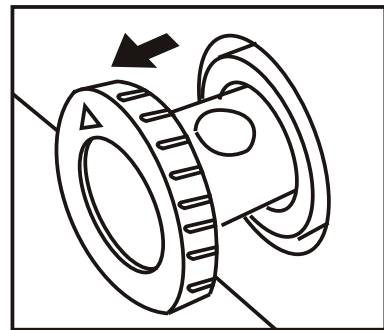
### IMPORTANTE

**Nunca utilice electrodomésticos durante la descongelación. No utilice objetos afilados o puntiagudos para quitar la escarcha ya que esto puede dañar las líneas de refrigerante. Si estas líneas se perforan accidentalmente hará que el congelador inoperable y anular la garantía del fabricante.**

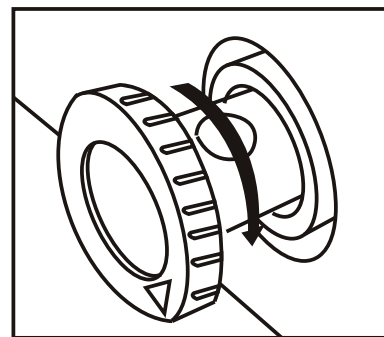
1



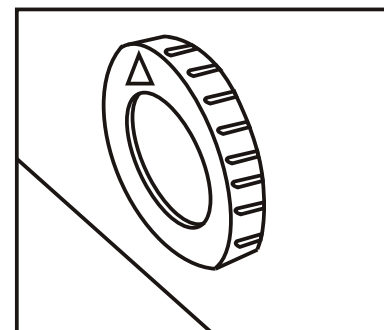
2



3



4



## CUIDADO Y MANTENIMIENTO

### LIMPIEZA

Asegúrese de que la unidad esté desenchufada antes de limpiar cualquier parte del aparato.

- Para limpiar el interior del aparato, utilice un paño suave y una solución de una cucharada de bicarbonato de sodio a un litro de agua o una solución de jabón suave o algún detergente suave.
- Limpie el exterior con un paño suave y húmedo y un poco de detergente suave.
- Es importante mantener el área limpia donde la tapa sella contra el gabinete. Limpie este área con un paño jabonoso. Enjuague con un paño húmedo y deje secar.

**Nota:** No utilice limpiadores que contengan amoníaco o alcohol en el aparato. El amoníaco o el alcohol pueden dañar el aspecto del aparato. Nunca utilice limpiadores comerciales o abrasivos ni objetos afilados en ninguna parte del aparato.

### FALLO DE ALIMENTACIÓN

La mayoría de las fallas de alimentación se corrigen en pocas horas y no deben afectar la temperatura de su aparato si minimiza el número de veces que se abre la tapa. Si la alimentación va a estar apagada por un período de tiempo más largo, tome las medidas apropiadas para proteger su contenido.

**Nota:** Espere de 3 a 5 minutos antes de intentar reiniciar el refrigerador si se ha interrumpido la operación.

### TIP DE AHORRO DE ENERGÍA

El aparato debe estar ubicado en la zona más fresca de la habitación, lejos de los aparatos que producen calor y fuera de la luz directa del sol. No sobrecargue la unidad ni bloquee las aberturas de ventilación.

### VACACIONES

- **Vacaciones cortas:** Deje el aparato en funcionamiento durante las vacaciones de menos de tres semanas.
- **Largas vacaciones:** Si el aparato no se va a utilizar durante varios meses, retire todos los artículos y apague el aparato. Limpie y seque el interior a fondo. Para evitar el olor y el moho, deje la tapa ligeramente abierta, bloqueándola si es necesario.

### MUDARSE

- Eliminar todos los elementos.
- Tape la tapa cerrada.
- Asegúrese de que el aparato permanezca seguro en posición vertical durante el transporte. Proteja también el exterior del aparato con una manta o un artículo similar.
- Si el aparato se coloca en su parte posterior o lateral durante el transporte, al llegar al destino, permita que permanezca en su posición de funcionamiento durante 6 horas para evitar daños a los componentes internos.

### DISPOSICIÓN

Este aparato no puede ser tratado como un residuo doméstico normal, sino que debe ser llevado al punto de recogida de residuos apropiado para el reciclaje de componentes eléctricos. Para obtener información sobre los puntos de recogida de residuos locales, póngase en contacto con la agencia local de eliminación de residuos o con la oficina gubernamental.

La eliminación de este aparato debe realizarse de acuerdo con las regulaciones federales y locales.

## SOLUCIÓN SUGERIDA

**Danby cuidado del consumidor: 1-800-263-2629**

**Horas de operación:**

Lunes a Jueves 8:30 am - 6:00 pm Hora estándar del este

Viernes 8:30 am - 4:00 pm Hora estándar del este

La información de este manual está sujeta a cambios sin previo aviso.

<b>PROBLEMA</b>	<b>POSSIBLE CAUSA</b>
<b>No funciona</b>	<ul style="list-style-type: none"><li>• Un fusible en su casa puede soplarse o el interruptor de circuito disparado</li><li>• El enchufe no está completamente insertado en la toma de corriente</li></ul>
<b>La temperatura interna no es lo suficientemente fría</b>	<ul style="list-style-type: none"><li>• La temperatura está demasiado alta</li><li>• La tapa no se cierra correctamente o se abre demasiado</li><li>• Recientemente se agregó una gran cantidad de alimentos calientes al armario</li><li>• Muy cerca de la fuente de calor o de la luz solar directa</li><li>• La temperatura ambiente o la humedad es muy alta</li></ul>
<b>El aparato funciona continuamente</b>	<ul style="list-style-type: none"><li>• La temperatura está demasiado fría</li><li>• La tapa no se cierra correctamente o se abre demasiado</li><li>• Recientemente se agregó una gran cantidad de alimentos calientes al armario</li><li>• Muy cerca de la fuente de calor o de la luz solar directa</li><li>• La temperatura ambiente o la humedad es muy alta</li></ul>
<b>El aparato hace un ruido de gorgoteo cuando se opera</b>	<ul style="list-style-type: none"><li>• Este ruido es completamente normal. El refrigerante dentro del aparato hará un ruido de gurgling mientras que cambia de un líquido a un gas ya la parte posterior otra vez.</li></ul>



## GARANTÍA LIMITADA "ACARREADO SOLAMENTE"

Este producto de calidad está garantizado contra defectos de fabricación, incluyendo partes y mano de obra, siempre y cuando la unidad se utilice bajo las condiciones normales de funcionamiento para las que fue diseñado.

Esta garantía está solamente disponible para la persona que haya comprado originalmente esta unidad directamente de Danby Products Limited (Canada) o Danby Products Inc. (U.S.A.) (en adelante "Danby") o uno de sus distribuidores autorizados, y no es transferible.

### CONDICIONES DE LA GARANTÍA

Las piezas plásticas, se autorizan por treinta (30) días solamente a partir de la fecha de la compra, sin las extensiones proporcionadas.

**Primeros 12 meses** Durante los primeros **doce (12) meses**, cualquier parte en buen estado de este producto que resulte defectuosa, incluyendo cualquier sistema sellado, será reparado o reemplazado, a opción del fabricante, sin cargo para el comprador original.

**Para obtener servicio** Póngase en contacto con el distribuidor donde adquirió el electrodoméstico o póngase en contacto con el centro de servicio autorizado más cercano de Danby, donde el servicio debe ser realizado por un técnico cualificado. Si el servicio es realizado por cualquier persona que no sea un depósito de servicio autorizado, todas las obligaciones de Danby bajo esta garantía serán nulas.

Es responsabilidad del comprador transportar el aparato al centro de servicio autorizado más cercano.

Los cargos de transporte desde y hacia el lugar de servicio no están protegidos por esta garantía y son responsabilidad del comprador.

Nada dentro de esta garantía implica que Danby será responsable por cualquier daño que hayan sufrido los alimentos u otros contenidos de este aparato, ya sea debido a un defecto del aparato, o su uso, adecuado o inadecuado.

### EXCLUSIONES

Salvo lo aquí indicado por Danby, no existen otras garantías, condiciones o representaciones, explícitas o implícitas, concretas o intencionales por parte de Danby o sus distribuidores autorizados y todas las demás garantías, condiciones o representaciones, incluyendo cualquier garantía, condiciones o representaciones bajo cualquier Acta de Venta de Productos o legislación o estatuto similar, quedan de esta forma expresamente excluidas. **Salvo lo aquí indicado, Danby no serán responsables por ningún daño a personas o bienes, incluyendo la propia unidad, sin importar su causa, o de ningún daño indirecto causado por el desperfecto de la unidad, y al comprar esta unidad, el comprador acepta por la presente, indemnizar y proteger a Danby contra cualquier reclamo por daños a personas o bienes causados por la unidad.**

### CONDICIONES GENERALES

No se considerará ninguna de estas garantías o seguros cuando el daño o la necesidad de reparación sea el producto de los siguientes casos:

- 1) Falla del suministro eléctrico.
- 2) Daños en tránsito o durante el transporte de la unidad.
- 3) Alimentación incorrecta, como bajo voltaje, instalación eléctrica defectuosa o fusibles inadecuados.
- 4) Accidente, modificación, abuso o uso incorrecto del artefacto, tal como insuficiente ventilación del ambiente o condiciones de operación anormales (temperatura ambiente extremadamente alta o baja).
- 5) Utilización comercial o industrial (v.g., si el electrodoméstico no está instalado en una vivienda particular).
- 6) Incendio, daños por agua, robo, guerra, disturbios, hostilidades, actos de fuerza mayor como huracanes, inundaciones, etc.
- 7) Pedidos de servicio debido a desinformación del usuario.
- 8) Instalación inadecuada (v.g., instalación de un electrodoméstico independiente o uso de un aparato al aire libre que no esté aprobado para aplicaciones en exteriores, incluyendo pero no limitado a: garajes, patios, porches o cualquier lugar que no esté bien aislado o controlado por el clima).

Se requerirá una prueba de la fecha de compra para reclamaciones de garantía; conservar las facturas de venta. En el caso de que se requiera servicio de garantía, presente el comprobante de compra a nuestro depósito de servicio autorizado.

**Servicio de Garantía**  
Acarreado Solamente

Danby Products Limited  
PO Box 1778, Guelph, Ontario, Canada N1H 6Z9  
Telephone: (519) 837-0920 FAX: (519) 837-0449

**1-800-263-2629**  
04/17

Danby Products Inc.  
PO Box 669, Findlay, Ohio, U.S.A. 45840  
Telephone: (419) 425-8627 FAX: (419) 425-8629





# Danby<sup>®</sup>

## DIPLOMAT

OWNER'S MANUAL  
MANUEL DU PROPRIÉTAIRE  
MANUAL DEL PROPIETARIO

**MODEL • MODÈLE • MODELO**

DCF035B1WM  
DCF050B1WM  
DCF070B1WM  
DCF070B1BM  
DCF035B1WM-6  
DCF050B1WM-6

[www.Danby.com](http://www.Danby.com)

Printed in China  
Imprimé en Chine  
Impreso en China

Danby Products Limited, Guelph, Ontario Canada N1H 6Z9  
Danby Products Inc., Findlay, Ohio USA 45840