



INTEGRATED VENTILATION SYSTEM

RNIVS/R1



AVAILABLE MODELS

- RNIVS1 20" Integrated Ventilation System (600 CFM Blower Included)
- RNIVSR1 20" Integrated Ventilation System (Blower Required)

FEATURES & BENEFITS

- Auto On - Automatically turns on when high temperature is sensed
- Versatile blower option from 600 CFM to 1,100 CFM
- LED lighting to light up the cooking area
- Integrate seamlessly into any kitchen design
- American Made

CONTROL FEATURES

FAN SPEEDS	STEPLESS
LOCATION	BOTTOM

BLOWER OPTIONS

REMP3	600 CFM REMOTE BLOWER
REMP16	1,000 CFM REMOTE BLOWER
ILHSF8	600 CFM INLINE BLOWER
ILHSF10	1,100 CFM INLINE BLOWER

TECHNICAL DETAILS

CIRCUIT BREAKER (A)	15
VOLTS (V)	120
FREQUENCY (HZ)	60
ENERGY SOURCE	ELECTRIC

DIMENSIONS

APPLIANCE DIMENSIONS (W X H X D) (IN.)	W 21 7/16" H 8 7/8" D 19 5/8"
--	-----------------------------------

WARRANTY

LIMITED, PARTS AND LABOR	1 YEAR
--------------------------	--------

ACCESSORIES

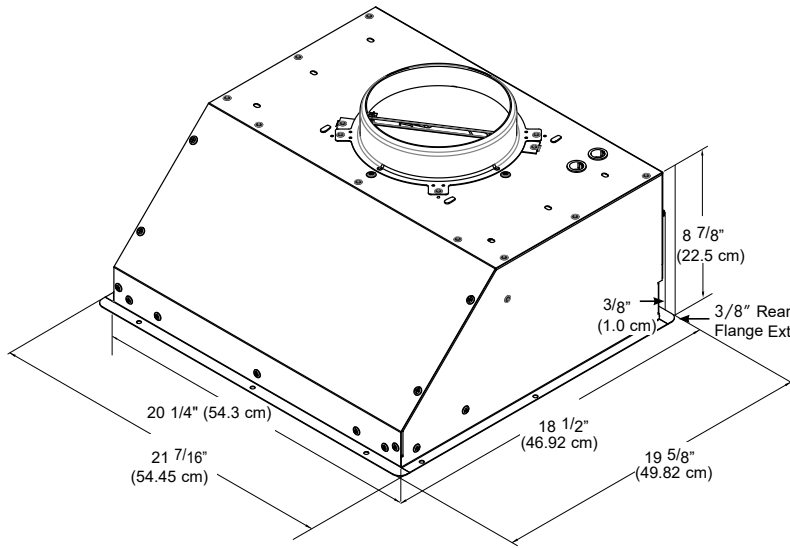
RNIHL30	30" Integrated Hood Liner
RNIHL36	36" Integrated Hood Liner

APPLIANCE DIMENSIONS

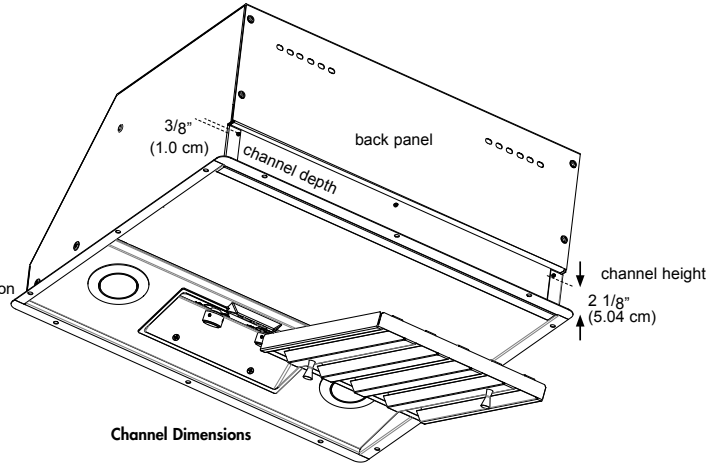
RNIVS/R1

WIDTH	21 1/16" (54.5 CM)
HEIGHT	8 7/8" (22.5 CM)
DEPTH	19 5/8" (49.8 CM)

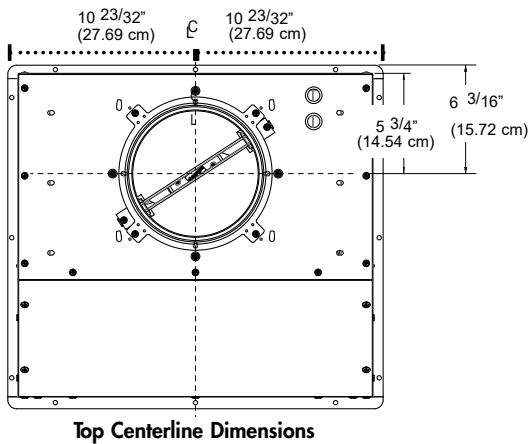
All tolerances are $\pm 1/16"$ (± 0.16 cm)



Rear View



Top View



Side View

