



LET THE SHOW BEGIN

Installation Instructions

Downdraft Vent

HRV46, MRV3015S*, MRV36-ERS, MRV3615S*, MRV48-ERS, MRV48S

Includes installation instructions for Dacor cabinet blower CABP3, which is an option for the indicated* models.

Use these downdraft vents only with approved Dacor® appliances. See the instructions in this manual to determine suitability with the companion appliance.

Table of Contents

Important Safety Instructions	1	Installation Specifications	6
Important Information About Safety Instructions	1	Planning the Installation	6
Safety Symbols and Labels	1	Planning the Duct Work	8
General Safety Precautions	2	Installation Instructions	12
Product Specifications	2	Installation Preparation	12
Electrical Specifications	2	Installing the Downdraft Vent in the Cutout	13
Product Dimensions: MRV3015S, MRV3615S.....	3	Verifying Proper Operation.....	16
Product Dimensions: HRV46, MRV48S.....	4	Installation Checklist	16
Product Dimensions: MRV36-ERS, MRV48-ERS	5	Wiring Diagram: All Models.....	17
		CABP3 Cabinet Blower Ratings.....	17

Before You Begin...

- **Installer:** In the interest of safety and to minimize problems, read these installation instructions completely and carefully before you begin the installation process. Leave these installation instructions with the customer.
- **Customer:** Keep these installation instructions for future reference and the local electrical inspector's use.

Customer Assurance Information

If You Need Help...

For installation or warranty questions/issues, contact Dacor Customer Assurance. Have available the vent's model and serial numbers, which are on the data label on the front of the unit. This label includes power-supply requirements.

Dacor Customer Assurance: Phone: 833-35-ELITE (833-353-5483) USA, Canada; Mon - Fri 5:00 A.M. to 5:00 P.M. Pacific Time; Website: www.dacor.com/customer-care/contact-us

Model Identification

Use HRV, and MRV downdraft vents with approved Dacor cooktops and ranges only.

Model Number	Description
HRV46	46" wide downdraft vent; HRV-style top cap
MRV3015S	30" wide downdraft vent; MRV-style top cap
MRV3615S	36" wide downdraft vent; MRV-style top cap
MRV36-ERS	36" wide downdraft vent; MRV-style top cap
MRV48S	48" wide downdraft vent; MRV-style top cap
MRV48-ERS	48" wide downdraft vent; MRV-style top cap

All specifications subject to change without notice. Dacor assumes no liability for such changes.

© 2018 Dacor, all rights reserved.

Important Safety Instructions

Important Information About Safety Instructions

- The **Important Safety Instructions** and warnings in this manual do not cover all possible issues. Use common sense and caution when installing, maintaining, or operating the appliance.
- Contact Dacor Customer Assurance about issues and conditions you cannot resolve. (See **Customer Assurance Information.**)

Safety Symbols and Labels

DANGER

Immediate hazards that **WILL** result in severe personal injury or death.

WARNING

Hazards or unsafe practices that **COULD** result in severe personal injury or death.

CAUTION

Hazards or unsafe practices that **COULD** result in minor personal injury or property damage.

DANGER

Do not store/use combustible, flammable substances (e.g., gasoline, alcohol, benzene) in/on/near the vent.

WARNING

TO REDUCE RISK OF PROPERTY DAMAGE AND PERSONAL INJURY, OBSERVE THE FOLLOWING:

- a) Installation work and electrical wiring must be done by qualified person(s) per applicable codes, including fire-rated construction.
- b) Sufficient air is needed for proper combustion and exhaust of gases via the flue of fuel-burning equipment to prevent backdraft. Follow manufacturer guidelines such as are published by the National Fire Protection Association (NFPA); the American Society for Heating, Refrigeration, and Air Conditioning Engineers (ASHRAE); and local code authorities.
- c) Know the location of wiring and piping before cutting or drilling into a wall or ceiling.
- d) Fans must always vent to the outdoors.

WARNING

The unit has a 3-prong grounding plug to protect against electric shock. It must plug into a dedicated, 3-prong, grounded outlet. The owner shall ensure that such an outlet is available for the appliance. **Do not:**

- remove the third (ground) prong from the power cord.
- use an adapter plug.
- use an extension cord.
- use a damaged power cord.
- Use a ground fault interrupter (GFI).

READ AND SAVE THESE INSTRUCTIONS

Important Safety Instructions

General Safety Precautions

To reduce risk of fire, electric shock, serious injury, or death when using the vent, follow basic safety precautions, including:

WARNING

- Do not install a damaged appliance. If you receive a damaged appliance, contact your dealer or builder.
- Observe all governing ordinances during planning and installation. Contact the local building department for details.
- The electrical outlet for the downdraft vent should be installed by a licensed electrician.
- Do not vent hazardous or explosive materials and vapors through the unit.
- Use this downdraft vent only as outlined in the User Manual. The vent is not designed for commercial use.
- The owner should install/repair/replace parts only as specified in the product literature. A qualified technician should perform all other service. Contact Dacor Customer Assurance for examination, repair, or adjustment.
- Keep all packaging away from children.
- For proper operation, install the unit with a cabinet, in-line, or remote blower. Use only a specified model.

WARNING

- Ensure the vent is unplugged for installation/service.
- The installer must show the customer the outlet so the owner can unplug the vent as needed.
- Install the vent as instructed in this manual, the Dacor range/cooktop installation instructions, and the blower installation instructions.
- Read the User Manual completely before operating the vent.
- Do not tamper with the vent controls.
- Do not let the filters or vent openings become blocked. Do not let foreign objects be sucked into vent holes.
- Clean the filters and all grease-laden surfaces often to prevent grease fires and maintain performance. Clean the appliance only as specified in the User Manual.
- Do not leave children/pets unattended near the operating range/cooktop.
- Do not let children play with the downdraft vent.

Product Specifications

Electrical Specifications

The downdraft vent comes with a 28" (71.1 cm) power cord with a 3-prong plug. Plug it directly into a 3-prong outlet meeting the requirements below.

The correct voltage, frequency and amperage must be supplied as specified below. The circuit must be protected by a properly sized circuit breaker or time-delay fuse.

Electrical-Supply Requirements

A 3-prong outlet connected to a 120 Vac, 60 Hz, 15 Amp. grounded, dedicated, single-phase circuit is required.

- The above specifications are for reference only. If they conflict with spec's on the product data label, use the spec's on the label.

- The customer must supply 3 conductor wiring/conduit with minimum 8-Amp current-carrying capacity to supply power to the blower from the downdraft vent. (See **Installation Specifications** for details.)
- The owner shall ensure the electrical outlet is installed by a licensed electrician. The electrical installation must comply with local ordinances and the latest revision of the National Electric Code ANSI/NFPA 70 (latest revision), a copy of which may be obtained from:

National Fire Protection Association
1 Batterymarch Park
Quincy, Massachusetts 02269-9101

- The electrical outlet situated so the vent can be unplugged for service without removing appliances from the cabinet.

Product Specifications

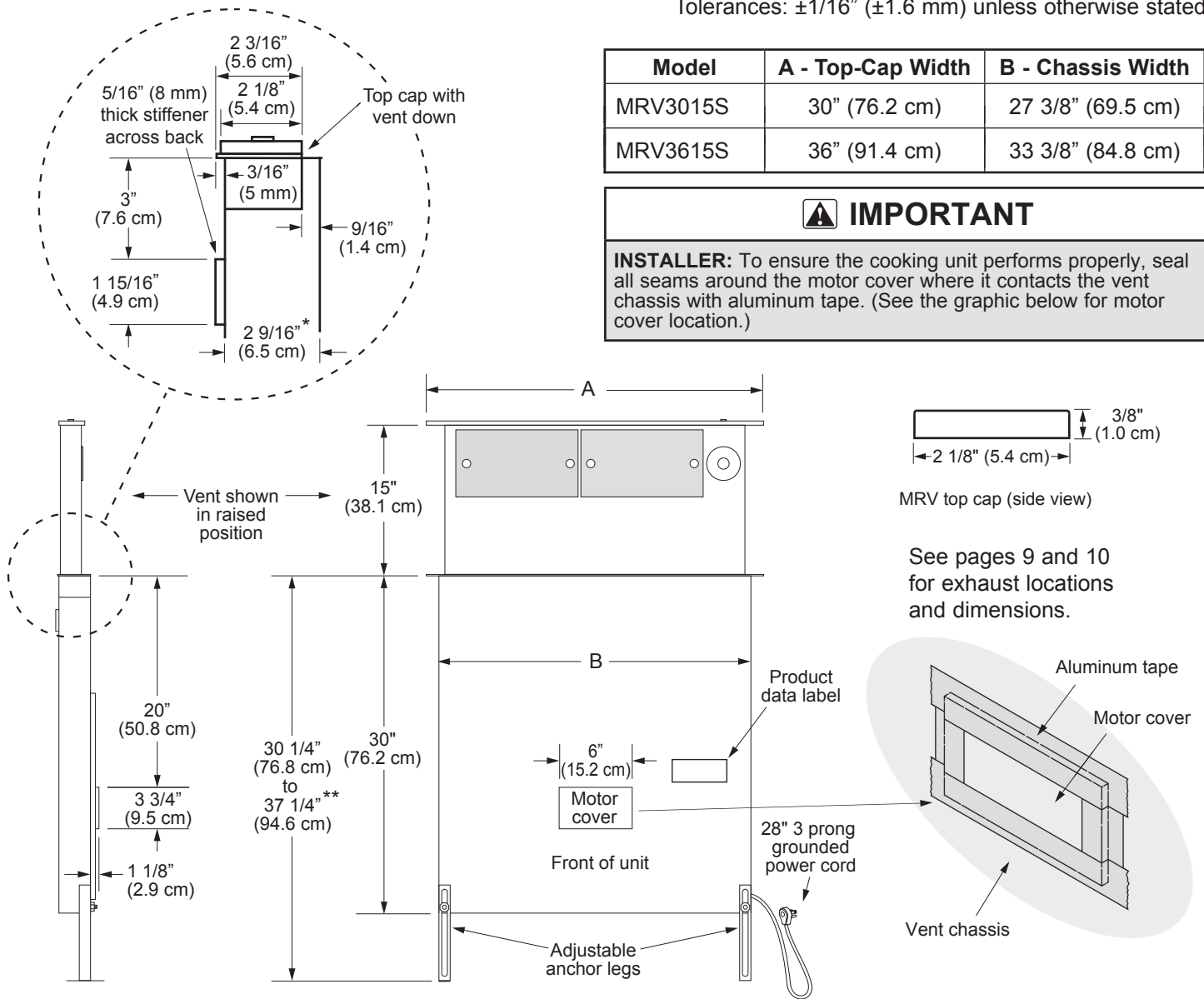
Product Dimensions: MRV3015S, MRV3615S

Tolerances: $\pm 1/16"$ (± 1.6 mm) unless otherwise stated

Model	A - Top-Cap Width	B - Chassis Width
MRV3015S	30" (76.2 cm)	27 3/8" (69.5 cm)
MRV3615S	36" (91.4 cm)	33 3/8" (84.8 cm)

IMPORTANT

INSTALLER: To ensure the cooking unit performs properly, seal all seams around the motor cover where it contacts the vent chassis with aluminum tape. (See the graphic below for motor cover location.)



See pages 9 and 10 for exhaust locations and dimensions.

Product Specifications

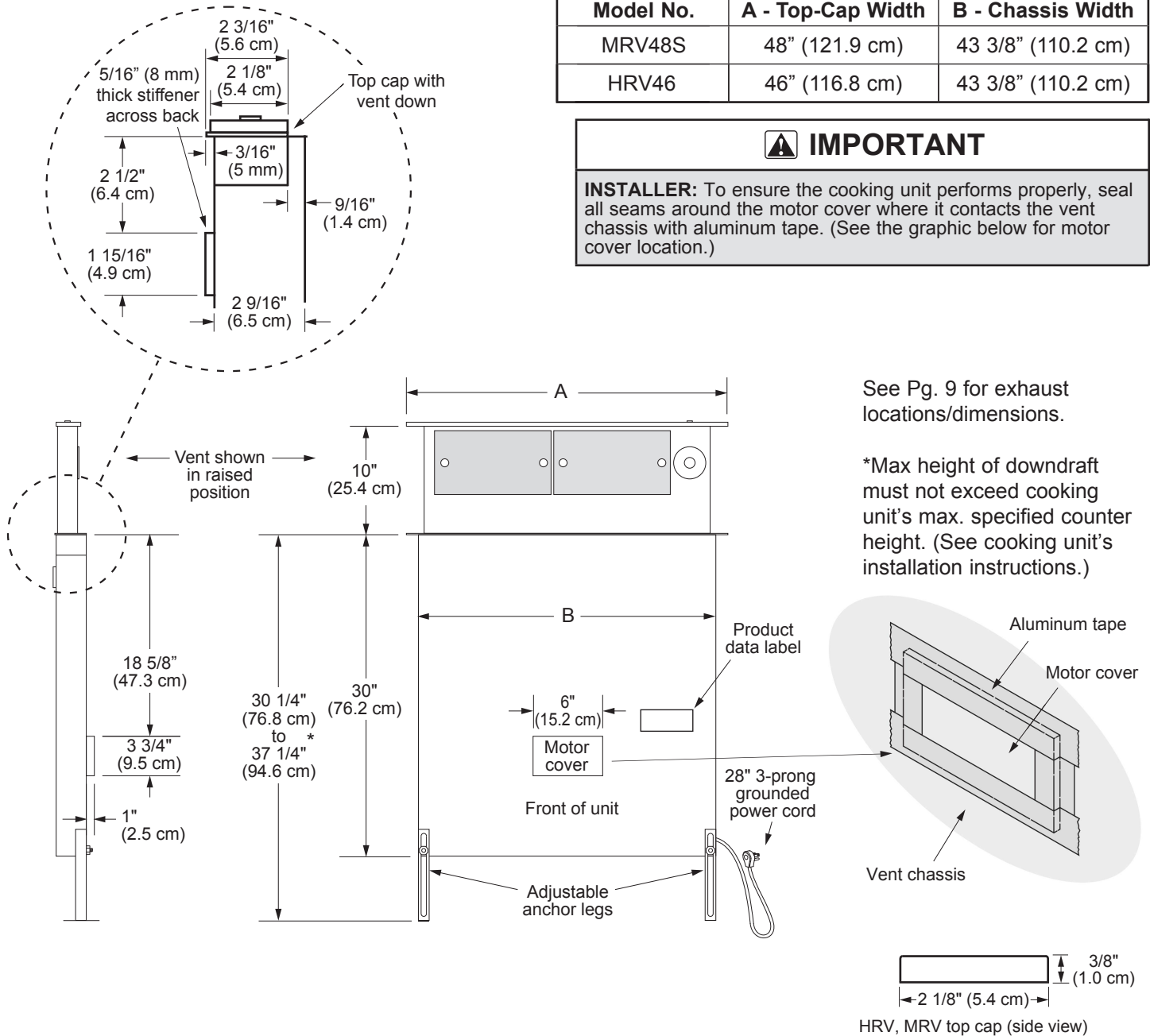
Product Dimensions: HRV46, MRV48S

Tolerances: $\pm 1/16"$ (± 1.6 mm) unless otherwise stated

Model No.	A - Top-Cap Width	B - Chassis Width
MRV48S	48" (121.9 cm)	43 3/8" (110.2 cm)
HRV46	46" (116.8 cm)	43 3/8" (110.2 cm)

IMPORTANT

INSTALLER: To ensure the cooking unit performs properly, seal all seams around the motor cover where it contacts the vent chassis with aluminum tape. (See the graphic below for motor cover location.)



Product Specifications

Product Dimensions: MRV36-ERS, MRV48-ERS

Tolerances: $\pm 1/16"$, (± 1.6 mm) unless otherwise stated

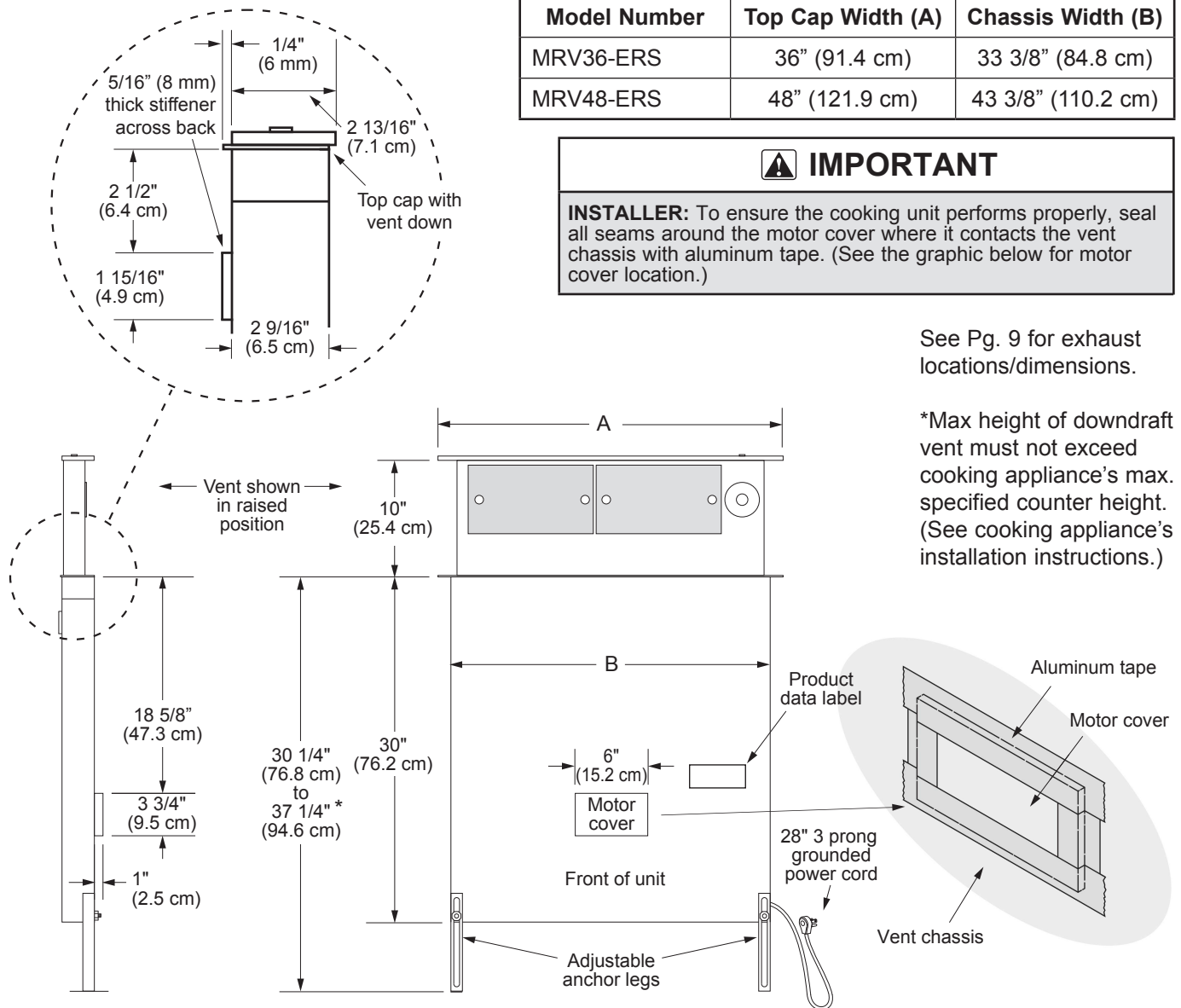
Model Number	Top Cap Width (A)	Chassis Width (B)
MRV36-ERS	36" (91.4 cm)	33 3/8" (84.8 cm)
MRV48-ERS	48" (121.9 cm)	43 3/8" (110.2 cm)

IMPORTANT

INSTALLER: To ensure the cooking unit performs properly, seal all seams around the motor cover where it contacts the vent chassis with aluminum tape. (See the graphic below for motor cover location.)

See Pg. 9 for exhaust locations/dimensions.

*Max height of downdraft vent must not exceed cooking appliance's max. specified counter height. (See cooking appliance's installation instructions.)



Installation Specifications

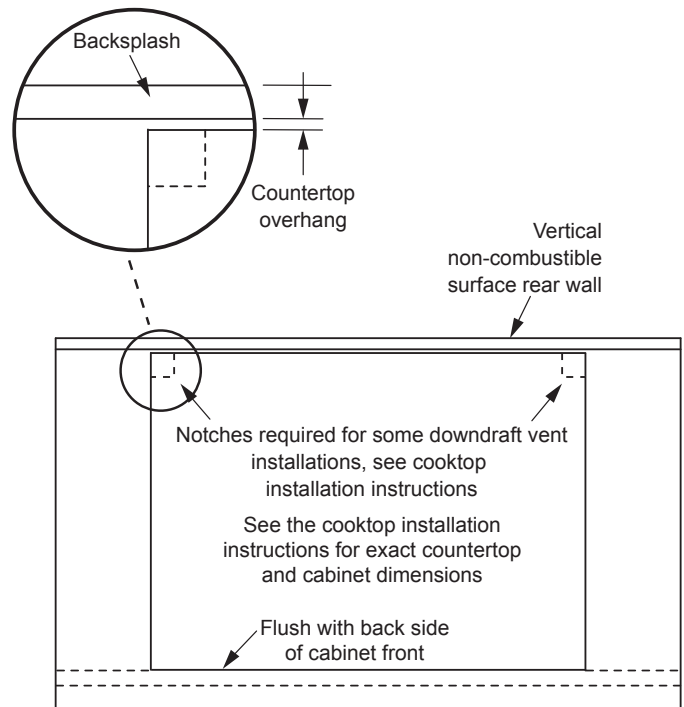
Planning the Installation

General System Layout

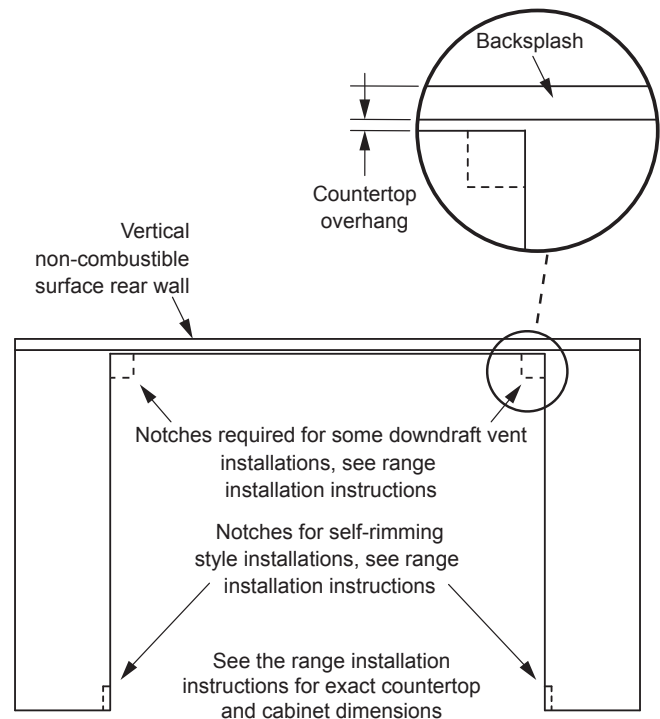
The vent system consists of the downdraft vent and a Dacor-approved cabinet blower (MRV3015 and MRV3615), remote blower, or in-line blower. (See Pg. 7).

WARNING

- Failure to install an approved blower and proper ducting will cause a backdraft and poor venting.
 - To reduce risk of personal injury from reaching over a hot appliance, avoid cabinet storage directly above the cooking surface.
 - Follow minimum clearances and installation location in the vent, appliance, and blower instructions. Failure to do so may cause a fire or safety hazard.
- Plan the installation so minimum dimensions are met or exceeded. All contact surfaces between the downdraft vent and cabinets/walls must be solid and at right angles.
 - The downdraft vent has adjustable anchor legs to accommodate various cabinet heights.
 - Install the downdraft vent and range/cooktop so they can be removed for service.
 - Allow access from the cabinet front to the chassis, and utilities of the downdraft vent and cooktop for inspection and service. (Drawers/shelves must be removable.)
 - There are 7/8" access holes in the bottom and side of the downdraft vent for connecting blower wiring and strain relief. Wire the blower to turn on when the downdraft vent is turned on. When installing a remote or in-line blower, run the blower wiring/conduit parallel to the duct work, connecting it to the downdraft vent on one end and the blower on the other.
 - Allow room for the exhaust duct coming out of the unit. (See **Planning the Duct Work**, Pg. 8, for details.)
 - Consider the maximum-allowable duct run when deciding the layout. (See **Planning the Duct Work**, Pg. 8, for details.)
 - See the range/cooktop installation instructions for minimum cutout dimensions specific to the downdraft vent being installed.

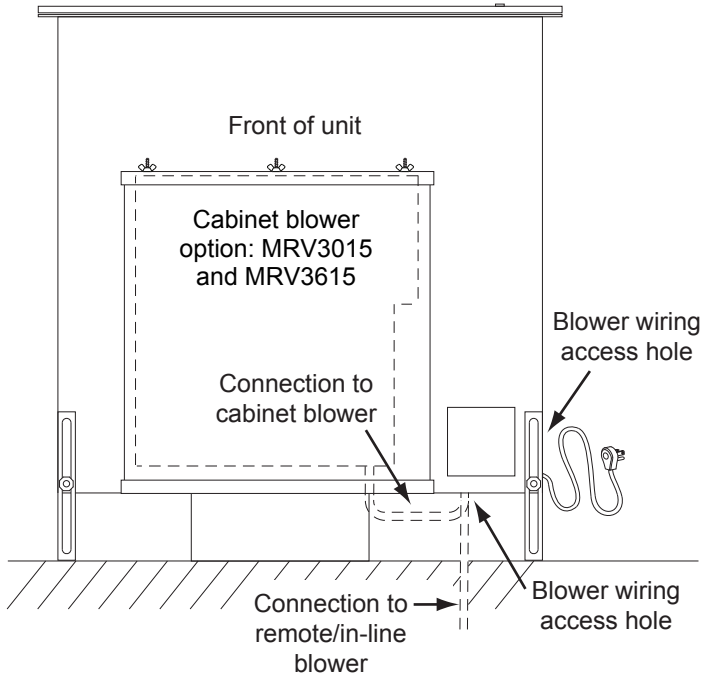


Cooktop Cabinet/Countertop Cutout - Top View

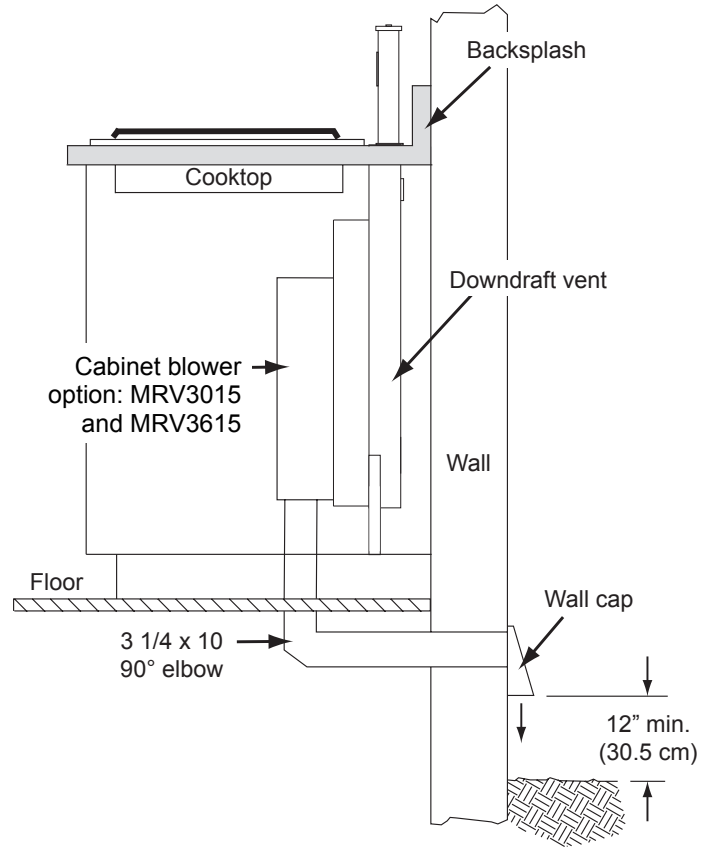


Range Cabinet/Countertop Cutout - Top View

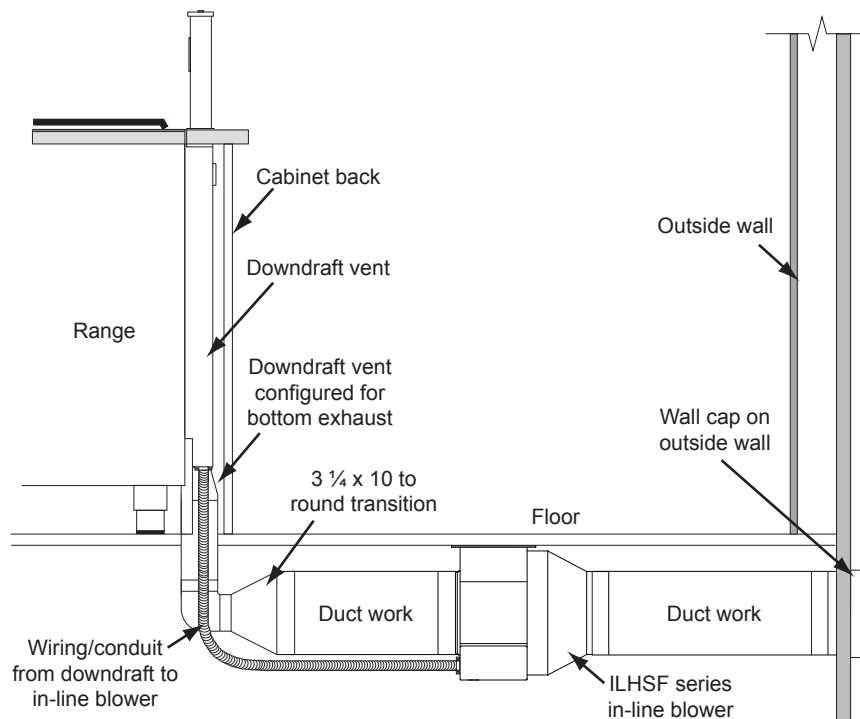
Installation Specifications



Electrical Layout



Example of Layout with Cabinet Blower Configuration, Exhaust Through Wall



Example of Layout with Range and Bottom Exhaust

Installation Specifications

Planning the Duct Work

WARNING

- To reduce risk of fire and to properly exhaust air, duct air outdoors, not into any interior spaces or garages.
- TO REDUCE FIRE RISK, USE ONLY METAL DUCTING.
- DO NOT install multiple blowers to lengthen the duct run. Even small differences between blower airflow rates can greatly reduce the downdraft vent's air draw.

Building codes may require makeup air systems with ventilation systems that move air greater than the specified movement rate (**CFM**). Consult a qualified **HVAC** specialist when designing the system for the requirements in your area and to assure optimal performance.

You **must** install a Dacor blower for the downdraft vent to operate properly. See the blower installation instructions for directions. For model CABP3, see the instructions later in this manual.

APPROVED DACOR BLOWERS FOR USE WITH MODEL MRV SERIES DOWNDRAFT VENTS

Dacor Blower	Rating	Compatible Vent
CABP3 ¹	600 CFM ²	MRV3015 ³ , MRV3615 ³
ILHSF8	600 CFM ⁴	All
ILHSF10	1100 CFM ⁴	All
REMP3	600 CFM ⁴	All
REMP16	1000 CFM ⁴	All

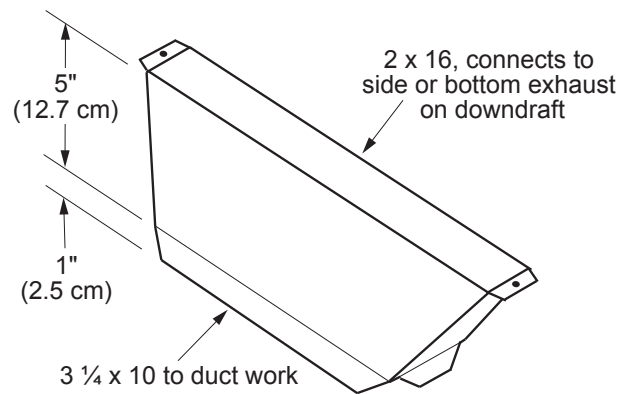
¹Due to a lack of clearance, do not use this blower if installing a range or wall oven in front of the downdraft vent; ²Nominal rating at zero inches static pressure, see the CABP3 blower ratings on page 17 for actual rating; ³Revision B and later units only; ⁴Nominal rating at zero inches static pressure. See blower installation instructions for actual ratings.

For installations with CABP3 blowers:

- Installation requires Dacor adapter kit # AERVCAB.
- The blower assembly is mounted to the front of the downdraft vent with the exhaust pointing in the desired direction. (See Pg. 10.)
- The CABP3 blower output connects directly to 3 1/4 x 10 rectangular ducting.

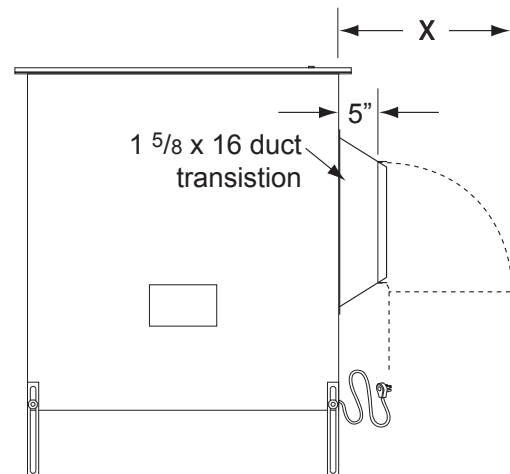
Installations with ILHSF-/REMP-series blowers:

- The downdraft vent can be configured to exhaust through the back/bottom/sides by removing the proper exhaust knock-out. (See Pg. 9.)
- When installing an ILHSF blower, minimize noise by installing it as close as possible to the duct-system exhaust. (Minimum recommended distance from the downdraft vent is 5 feet.)
- When connecting the duct work to the back of the unit, the customer must supply a 3 1/4 x 10 rectangular transition to make the connection.
- For side/bottom exhaust connections, use the supplied transition to connect the duct work to the unit. It transitions between the unit's 1 5/8 x 16 exhaust outlet and a 3 1/4 x 10 rectangular duct connection. On bottom exhaust installations, cut a hole in the floor so the transition and/or duct work can pass through the floor. (See Pg. 13).

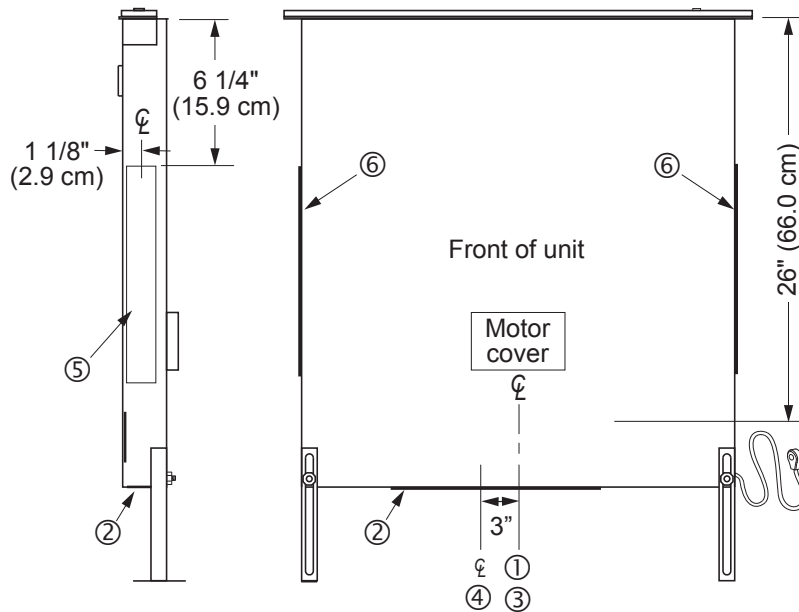


1 5/8 x 16 Duct Transition

- On side exhaust installations, allow 5 in. on the side for the 2 x 16 to 3 1/4 x 10 transition, plus space for the duct attached to it (X).



Installation Specifications



- ① Vertical center line of rear exhaust knock out lines up with vertical center line of chassis
- ② Bottom Exhaust Knock Out (1 5/8 x 16)
- ③ On 46" and 48" wide models, the vertical center line of bottom knock-out lines up with vertical center line of chassis
- ④ On 30" and 36" wide models, the vertical center line of bottom knock-out is offset 3"
- ⑤ Side Exhaust Knock Outs (1 5/8 x 16)

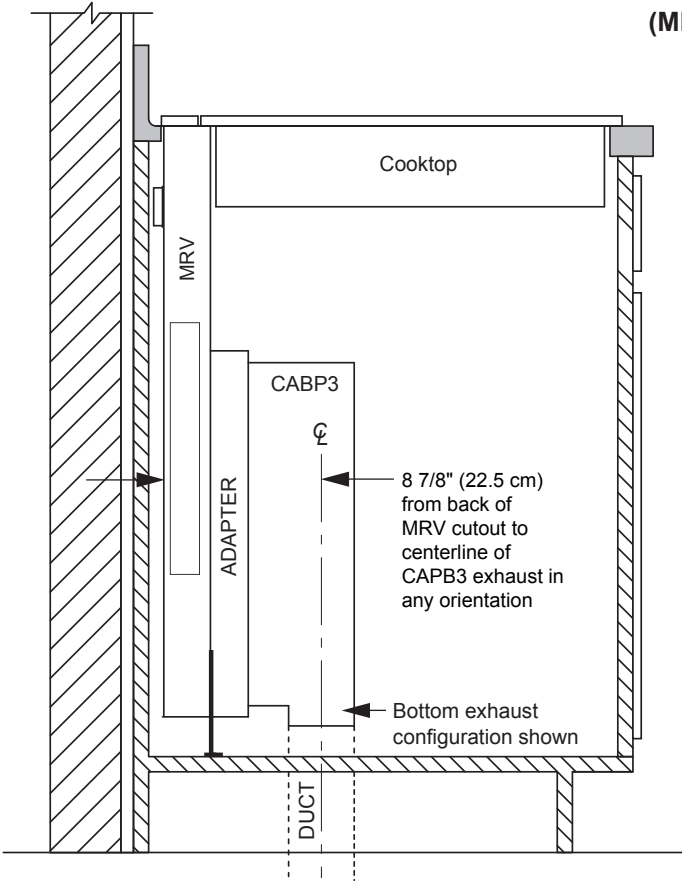
Exhaust Knock-out Locations for Use with REMP- and ILHSF-Series Blowers

Duct installation requirements for all blowers:

- All duct work (including screws and duct tape) shall be purchased by the customer.
- In planning new duct work, always look for the shortest, most direct route to the outside. (See Pg. 7.)
- You can increase duct size over the duct run if desired. To prevent backdraft, never decrease duct size.
- Do not rely on duct tape alone to seal joints. Fasten all connections with sheet-metal screws, then tape all joints with certified silver tape or duct tape.
- Use sheet-metal screws as needed to support the ducting.
- To avoid backdraft, the duct outlet may require a damper.
- Ensure duct work does not interfere with joists or studs.
- With concrete slab construction, "box in" the duct work and blower wiring to prevent crushing or other damage when concrete is poured.
- Cross-drafts or air currents from adjacent open windows or doors, heating-/air-conditioning outlets, ceiling fans, and recessed ceiling lights reduce vent efficiency.
- System exhaust location (Pg. 8) must account for snow buildup where applicable.

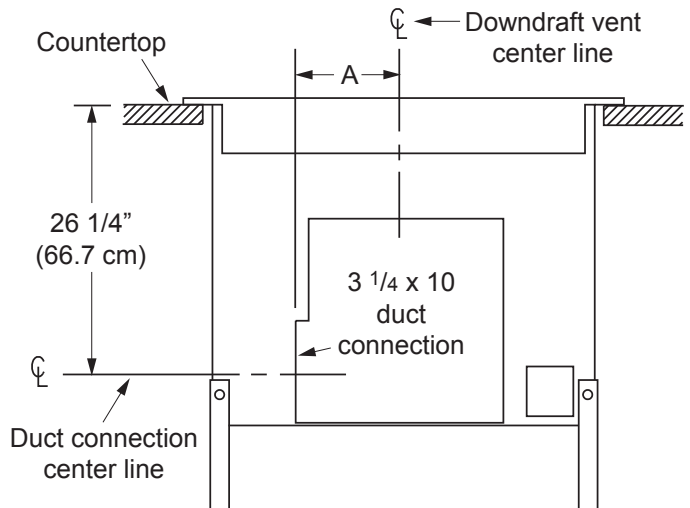
Installation Specifications

Exhaust Locations/Dimensions for CABP3 Cabinet Blower Installations (MRV3015S, MRV3615S)

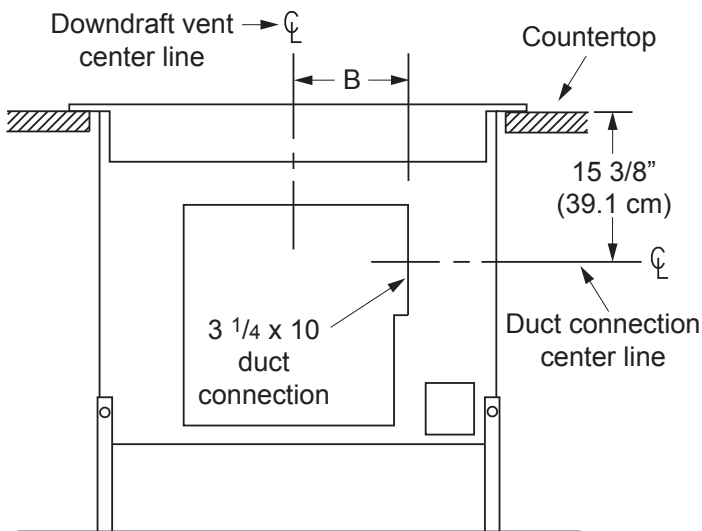


**Exhaust Locations and Side Dimensions
for CABP3 Cabinet blower**

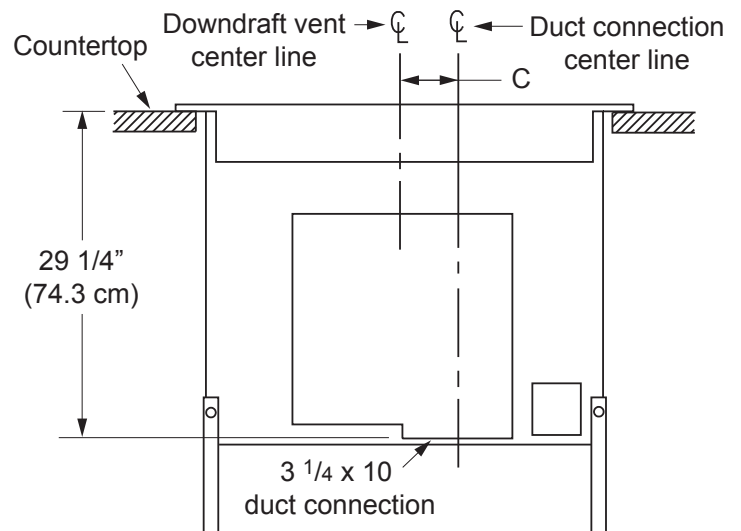
Model	A	B	C
MRV3015S	12 1/8" (30.7 cm)	5 5/8" (14.4 cm)	1 3/4" (4.4 cm)
MRV3615S	9 3/4" (24.8 cm)	8" (20.3 cm)	4 1/4" (10.8 cm)



**Front Exhaust Dimensions
CABP3 Blower - Left Exhaust**



**Front Exhaust Dimensions
CABP3 Blower - Right Exhaust**



**Front Exhaust Dimensions
CABP3 Blower - Bottom Exhaust**

Installation Specifications

Calculating Maximum Duct Run Length

- For best performance, consult a qualified HVAC specialist when designing the duct system.
- Do not use duct work that is smaller than the required sizes in the tables below.
- For best performance, keep the duct run as short as possible, and **never** exceed the maximums in the table in the **Duct Work Design Tips** section.
- The max. duct length for the downdraft vent depends on the blower used, and number of elbows and transitions. The **Equivalent Number of Feet** for each elbow and transition must be subtracted from the maximum straight length to compensate for wind resistance. To decide the maximum allowable length of the ducting, subtract all equivalent lengths of the elbows and transitions listed below from the **Blower Maximum Duct Straight Length**.
Example: For a downdraft vent system using a 3¼ x 10 rectangular duct, two (2) 3¼ x 10 90° elbows, a 3¼ x 10" rectangular to 10" round transition, and a REMP16 remote blower:
- From the **Blower Maximum Duct Straight Length** table, the max length without transitions and elbows is 60 ft.
- The equivalent length of each 90° elbow is 15 ft.
- The equivalent length of 45° elbow is 2 ft.
- The equivalent length of the transition is 4 ft.
- The total equivalent length of the above parts is: 15 ft + 15 ft + 4 ft + 2 ft = 36 ft.
- The max amount of straight duct that can be used with a REMP16 and the above parts is: 60 ft – 34 ft = 24 ft.

Equivalent Number of Feet (Nominal) - Duct Elbows and Transitions			
45° elbow/8"	3 ft	3¼ x 10/45° elbow	7 ft
45° elbow/10"	2 ft	3¼ x 10/90° elbow	15 ft
90° elbow/8"	7 ft	3¼ x 10/90° flat elbow	20 ft
90° elbow/10"	5 ft	3¼ x 10 to 8" round transition	4 ft
90° 3¼ x 10 to 8" round transition	25 ft	3¼ x 10 to 10" round transition	4 ft
Roof cap	*	Wall cap**	*

*Equivalent lengths of roof and wall caps vary with model and configuration. For equivalent length, contact the manufacturer or a qualified HVAC specialist; **Not applicable to REMP blowers.

Duct Work Design Tips

- Reduce transitions and turns to the fewest sharp angles. Two staggered 45° angles are better than one 90°. Keep turns as far from the hood exhaust as possible, with the most possible space between each bend.
- For best performance, use round ducting when possible, especially when elbows are required.
- If multiple elbows are used, try to keep a minimum of 24" of straight duct between them. Avoid "S" or "back to back" configurations of adjacent elbows.
- Do not use flexible metal ducting.

Blower	Blower Maximum Duct Straight Length		
	8" Duct	10" Duct	3¼ x 10 Duct
CABP3	40 ft (12.2 m)	30 ft (9.2 m)	30 ft (9.2 m)
ILHSF8	50 ft (15.2 m)	40 ft (12.2 m)	40 ft (12.2 m)
ILHSF10	60 ft (18.3 m)	70 ft (21.3 m)	60 ft (18.3 m)
REMP3	50 ft (15.2 m)	40 ft (12.2 m)	40 ft (12.2 m)
REMP16	60 ft (18.3 m)	70 ft (21.3 m)	60 ft (18.3 m)

Installation Instructions

Installation Preparation

Verifying Package Contents

1. Unpack the unit, and verify that all items on the parts list are present. Notify your dealer immediately if anything is missing. Do not install a damaged or incomplete appliance. The customer must report cosmetic issues within 30 days of installation.

Parts List

- Product literature
- Anchoring legs (left - PN 36861, right - PN 36862)
- 2 wood screws, #14 x 2 1/2 (PN 83047)
- 3 wire nuts
- 1 5/8 x 16 to 3 1/4 x 10 duct transition (PN 13768)
- 2 sheet metal screws, #10 x 1/2 (PN 83022)
- 2 keps nuts, 1/4-20 (PN 83049)
- 2 flat washers, 1/4-20 (PN 83203)
- Insulation foam (tape)

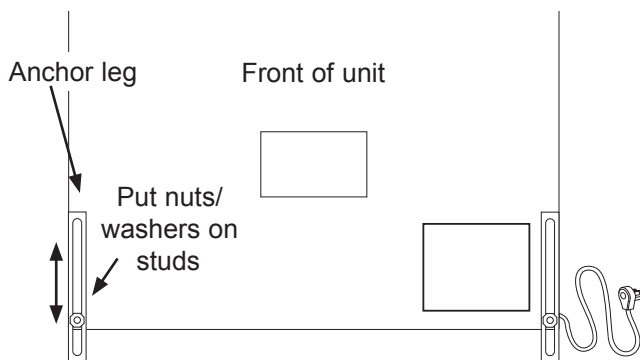
Installation with CABP3 blower requires Dacor adapter kit # AERVCAB. Kit includes adapter, wiring diagram label (PN 106770), 3 wing nuts (PN 83035), 3 flat washers (PN 83008) and 6 lock washers (PN83340).

WARNING

- If the electrical outlet does not meet the **Electrical Specifications** on Pg. 2, postpone the installation until a licensed electrician install the proper outlet.
- Install the vent vertically only.
- Do not enlarge or modify the exhaust knock-outs. Cut an exhaust hole on the chassis only as shown to prevent an increase in noise and compromised function.

NOTE: The downdraft vent installs in the back of the cut-out, separate from the range or cooktop. Install the downdraft vent before installing the range or cooktop.

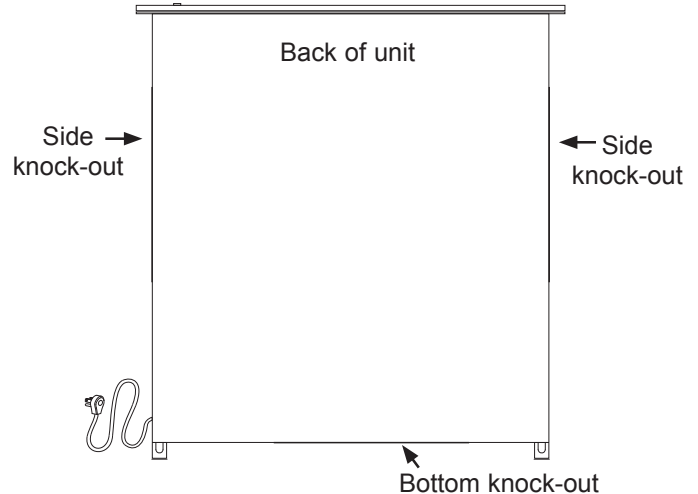
2. Start by loosely attaching the anchoring legs to the studs on the left and right sides of the downdraft vent using the provided Keps nuts and washers.



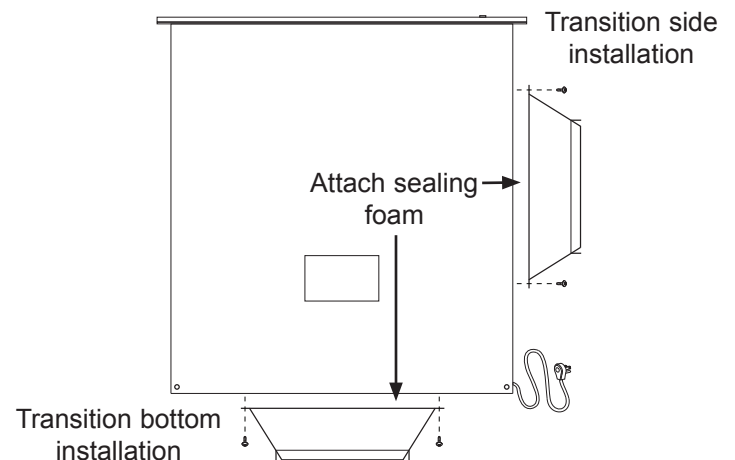
Installation Preparation: Downdraft Vent With ILHSF-/REMP-Series Blower

NOTE: For units using the CABP3 cabinet blower, skip to **Installation Preparation for Downdraft Vent with CABP3 Cabinet Blower**, on facing page.

1. Remove the appropriate side or bottom exhaust knockout (depending on the desired exhaust configuration) from the downdraft vent chassis by cutting the metal cross overs and removing the insert.



2. Cut and remove the foil material inside the knock-out hole or the vent will not work.
 - If the unit will vent through the bottom or side, install the supplied 1 5/8 x 16 to 3 1/4 x 10 transition to the exhaust location. Before installing, peel the protective backing off the foam tape, and apply it to the transition flanges. Attach the transition with the provided sheet metal screws (see below).

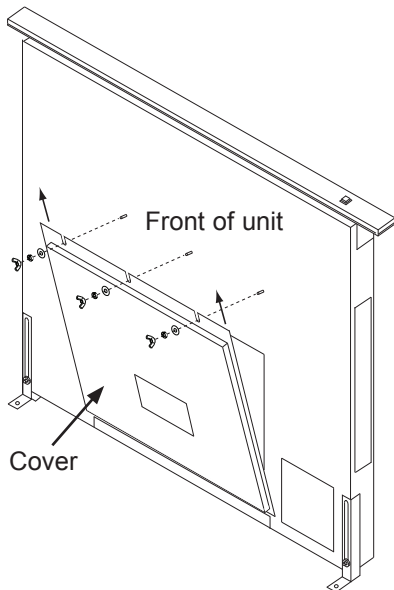


- If the unit will vent through the back, attach a 3 1/4 x 10 duct to the vent hole created by removing the knock-out on the back of the unit.
3. See **Installing the Downdraft Vent in the Cutout**, Pg. 13.

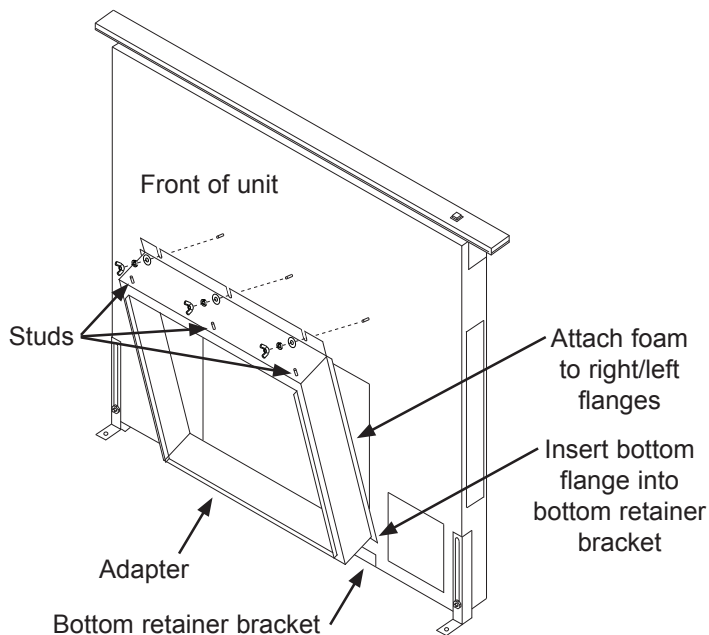
Installation Instructions

Adapter Installation: CABP3 Blower (Optional: MRV3015S, MRV3615S)

1. Remove the front cover so the AERV/CAB cabinet blower adapter can be installed. Remove and retain the 3 wing nuts and 3 flat washers on the front of the unit. Discard the 3 lock washers (which will be replaced). Tilt the cover out and pull up to remove it.



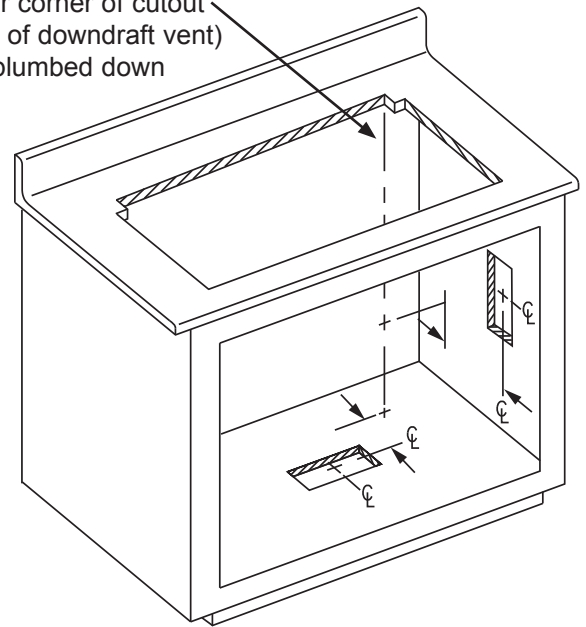
2. Peel the backing off of some of the foam tape included with the adapter. Attach it to the right and left flanges.
3. Hold the adapter in front of the opening on the front of the unit with the adapter's studs on top and all flanges closest to the downdraft vent chassis.
4. Slide the adapter's bottom into the bottom retainer bracket on the downdraft vent at an angle. Attach the adapter using the 3 wing nuts and flat washers removed in Step 1 and 3 of the lock washers from the adapter kit.



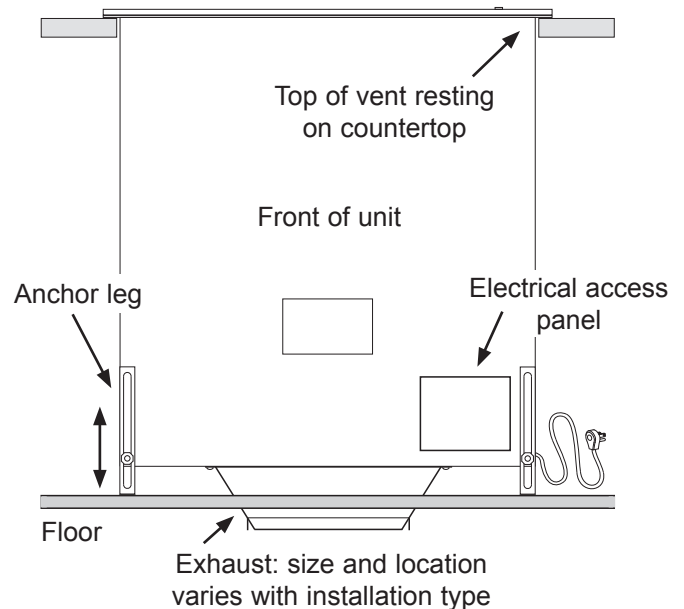
Installing the Downdraft Vent in the Cutout

1. Cut a hole in the cabinet so the ducting can pass to the floor/wall for the planned ducting layout. Use the dimensions on Pgs. 9, 10 to decide the hole center line locations. If using the 2" x 16" to 3 1/4" x 10" transition (REMP and ILHSF blower installations), the hole may need to be enlarged slightly.

Rear corner of cutout
(back of downdraft vent)
plumbed down



2. Gently slide the vent into the rear of the countertop cut-out with the electrical access panel toward the front.
3. Adjust the anchoring leg height so that the top of the downdraft vent rests on the counter, then tighten the hex nuts. Secure the anchoring legs to the cabinet floor with the provided wood screws.

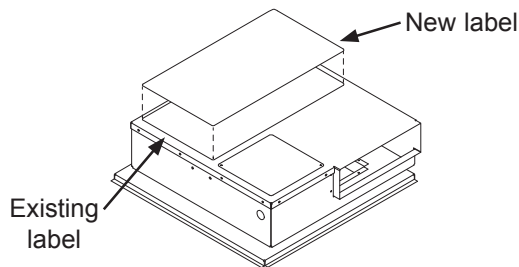


Installation Instructions

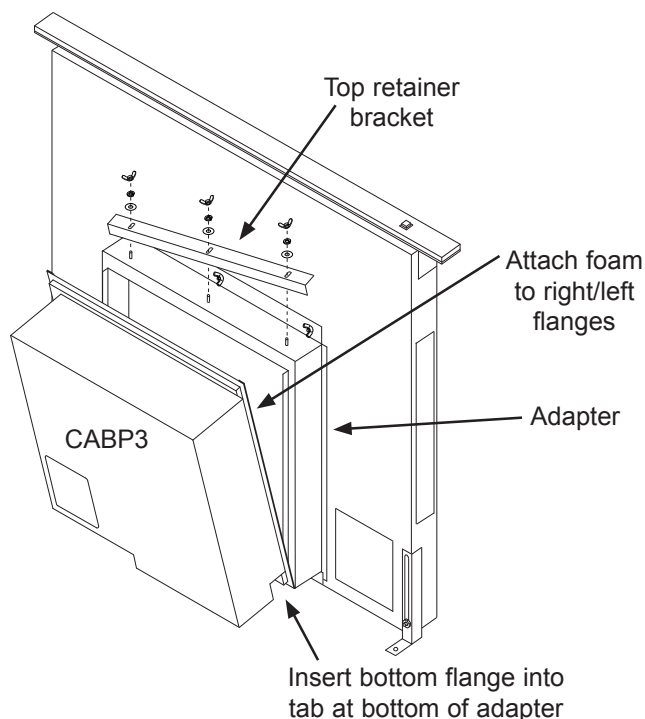
Cabinet Blower Installation

(Optional: MRV3015M/S, MRV3615M/S)

1. Find the wiring diagram label included with the adapter kit. Remove the protective backing, and place it over the existing label on the CABP3 blower as shown.



2. Find the foam tape supplied with the downdraft vent. Place the blower on the floor as it will be mounted on the front of the downdraft vent. Remove the backing from the foam tape, and attach it to the right and left flanges of the blower base plate.
3. With the exhaust oriented as desired, slide the bottom flange of the CABP3 blower base plate behind the tab on the bottom of the adapter mounted to the front of the downdraft vent.
4. Cover the adapter opening by pushing the blower against it. Ensure the foam tape creates a good seal on the right and left side of the opening. Center the blower base plate horizontally over the adapter's front opening.
5. Install the adapter top retainer bracket over the blower base plate flange. Secure it with the 3 wing nuts, lock washers, and flat washers included with the adapter.



ILHSF or REMP Series Blower Installation

If using a ILHSF or REMP series blower, install it according to the blower installation instructions.

Duct Work Installation

WARNING

For best performance and to keep smoke, odors, and combustion byproducts from entering the home, tape all duct joints securely.

Install the duct work per the **Installation Specifications** section. Use sheet-metal screws and duct tape to connect and seal all pieces. Support the duct weight as needed to ensure sealed joints.

Electrical Installation

WARNING: ELECTRIC SHOCK HAZARD

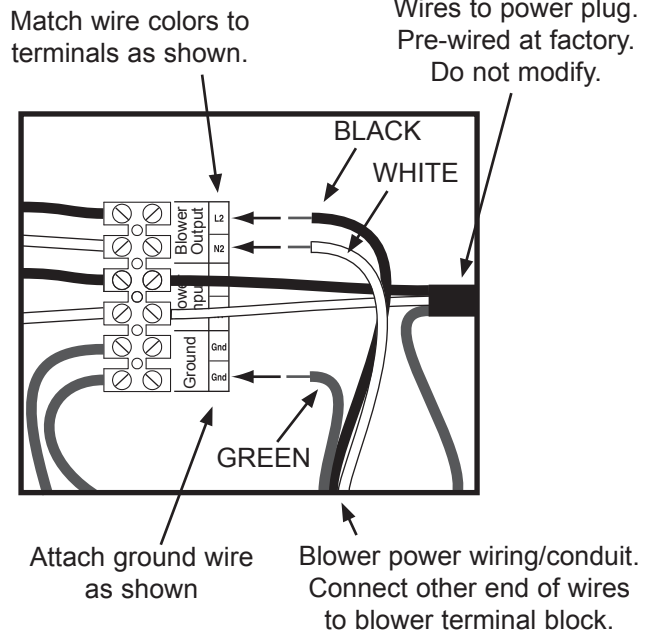
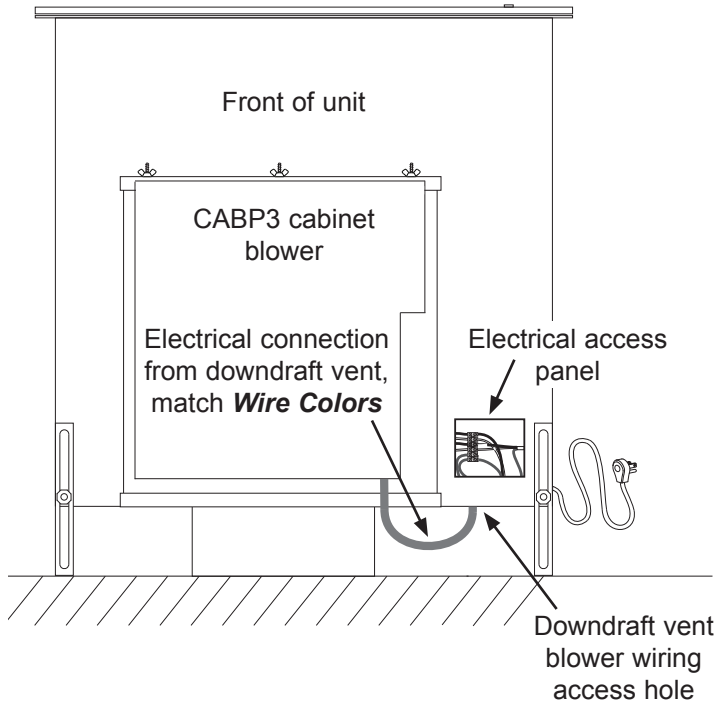
- Plug in the downdraft vent **after** installation is complete.
- Follow the wiring diagram carefully. Do not change the factory-wired terminal connections inside the electrical-access panel for the downdraft vent or blower.
- Route wiring away from hot surfaces.

1. For ILHSF and REMP blower installations, run the wiring/conduit line used to supply power from the downdraft vent to the blower parallel to the duct work.
2. Remove the cover from the downdraft vent electrical-access panel.
3. Connect the wiring/conduit to the blower as shown on pgs. 15 and 17 per local ordinances. Ensure all terminal connections (including factory-wired connections) are tight. Replace the electrical-access panel.

Range/Cooktop Installation

Install the range or cooktop as instructed.

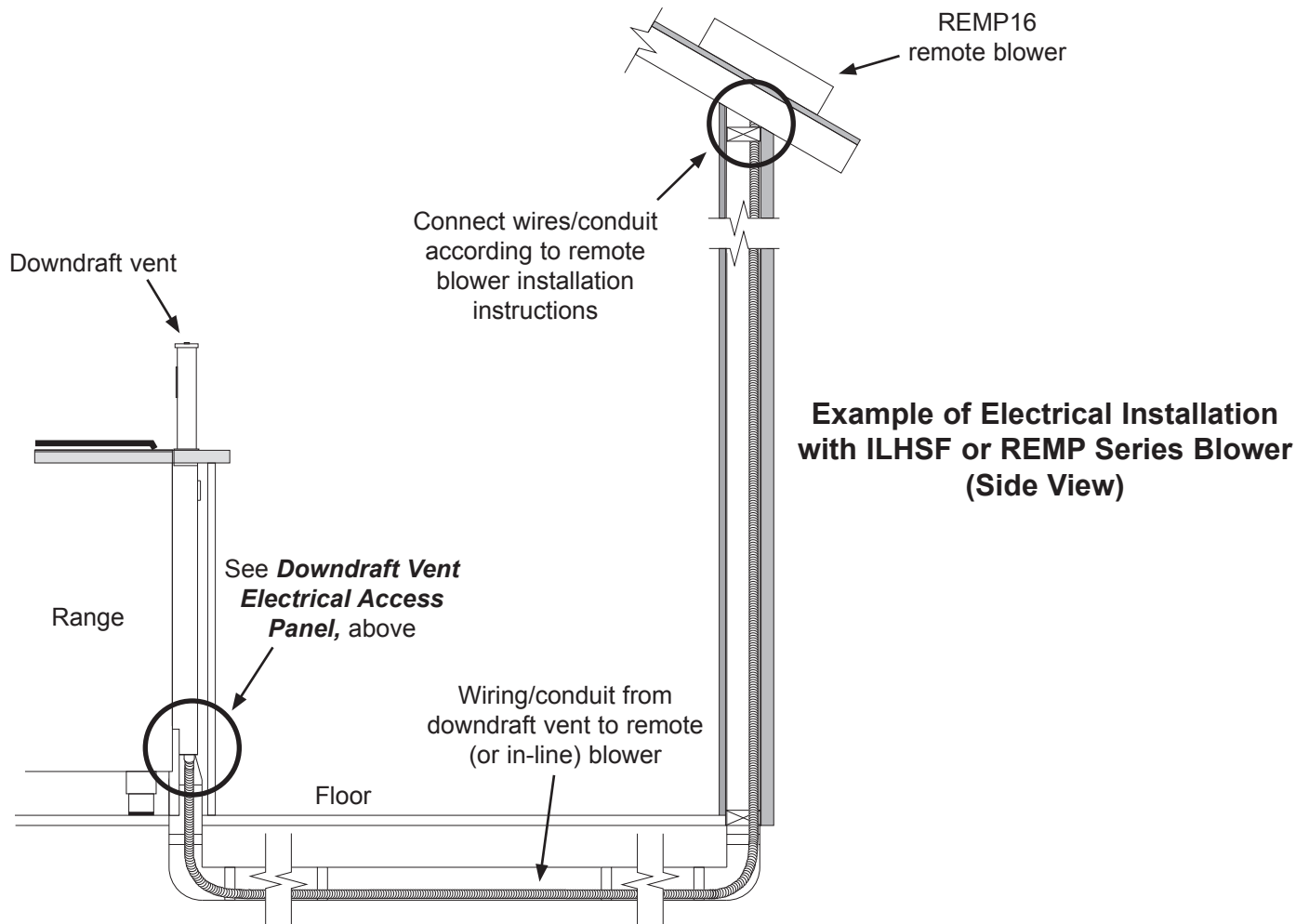
Installation Instructions



Wire Colors : Black = Line (L), White = Neutral (N), Green = Ground (Gnd)

Electrical Installation - CABP3 Cabinet Blower

Downdraft Vent Electrical Access Panel



Installation Instructions

Verifying Proper Operation

WARNING

- Read the downdraft vent user manual completely before operation.
- Install all front filters before operating the downdraft vent. (See the user manual about filter installation.)

CAUTION

Before plug-in, route the downdraft-vent power cord away from range or cooktop surfaces.

1. Ensure the power switch atop the downdraft vent is in the up position.
2. Plug in the downdraft vent.
3. Press the power switch to raise the vent.
4. Once raised, the vent should begin to draw air. Turn the variable-speed control switch in both directions to verify that the system operates correctly.
5. Press the top cap up/down switch to lower the vent.
6. Ensure the vent top cap does not catch on the back edge of the cooktop/range. If it does catch, reposition the cooktop/range to avoid permanent vent damage.

If the downdraft vent is not functional after installation:

- Ensure power is supplied to the downdraft vent.
- Ensure the downdraft vent supplies power to the blower.
- If the vent will not raise properly or makes a scraping sound, check for under-counter obstructions.

If the downdraft vent fails to function after performing the above checks, do not try to repair it yourself. Contact Dacor Customer Assurance: 833-353-5483. Have available all vent and blower model/serial numbers from the product data labels when you call.

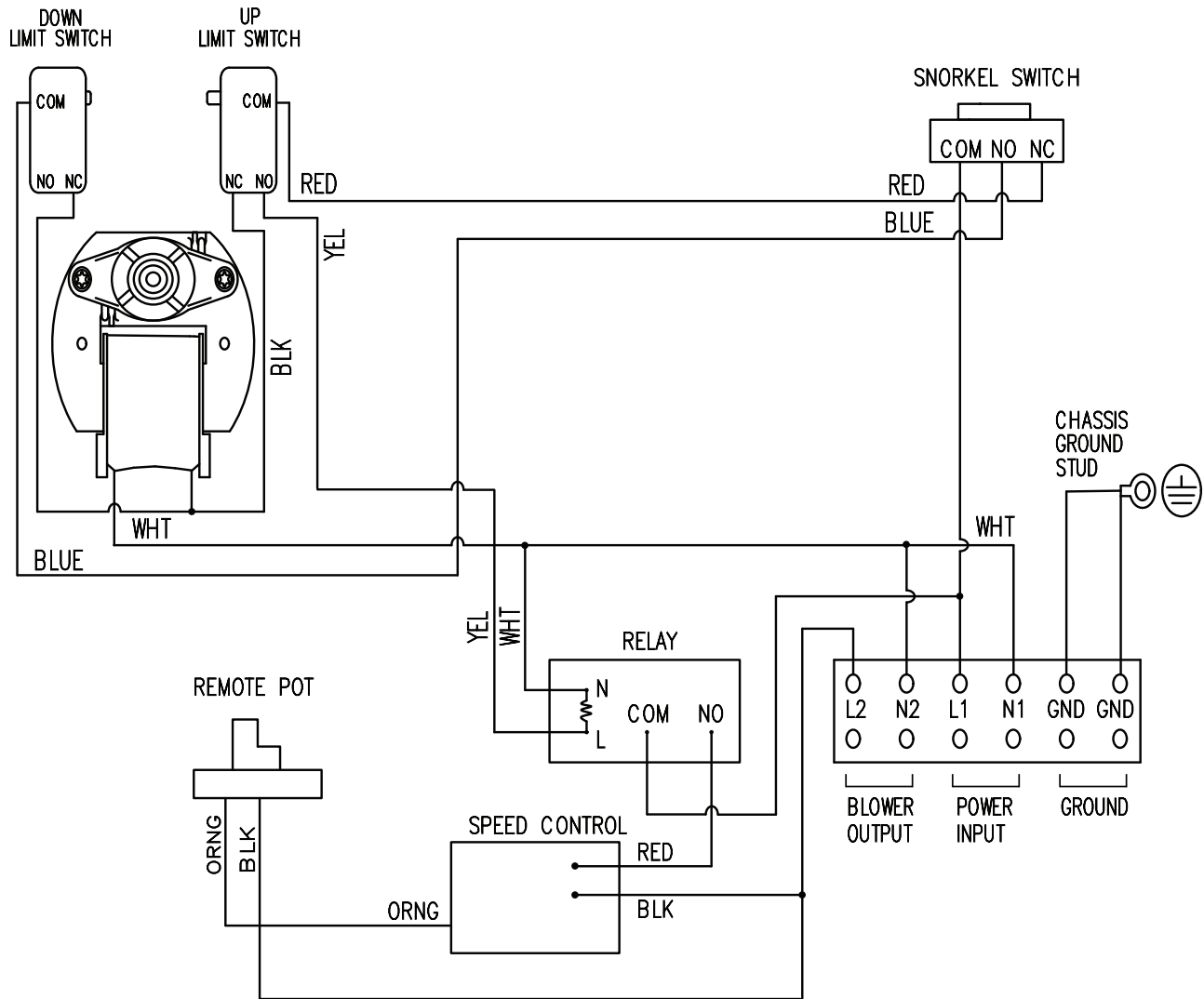
Dacor is not financially responsible for correcting problems due to faulty installation.

Installation Checklist

- Are the anchor legs tightened in place? Is the unit level?
- Is the duct work completely installed and all joints attached with sheet-metal screws and wrapped with duct tape?
- Are both ends of the blower power cable connected (to the downdraft vent and the blower itself)?
- Are the vent filters installed per user manual instructions?
- Is the power cord routed away from the hot range/ cooktop surfaces.
- Is the unit connected to an electrical outlet that meets the electrical specifications in these instructions?
- Was proper operation verified?
- Was the warranty activated online or the warranty card filled out and mailed?

Technical Data

Wiring Diagram: All Models



CABP3 Cabinet Blower Ratings

CABP3 Cabinet blower Airflow*	
Nominal	600 CFM
Actual	585.6 CFM

* At zero inches static pressure. Performance varies based on duct system configuration.

Electrical Rating: 4 Amps. @ 120 Vac, 60 Hz.

For ILHSF or REMP series blower ratings, see the blower installation instructions.

CABP3 Blower Performance

