
Heritage Island/Wall Hoods

DHI361, DHI421, DHI482, DHI542,
DHW301, DHW361, DHW421, DHW482

Table of Contents

Important Safety Instructions	1
Part of the Range Hood	3
Operating Instructions.....	4
Care and Cleaning	5
Troubleshooting.....	7
Warranty.....	8
Warranty Card	Back Cover



To Our Valued Customer:

Congratulations on your purchase of the very latest in Dacor® products! Our unique combination of features, style, and performance make us a great addition to your home.

To familiarize yourself with the controls, functions, and full potential of your new Dacor hood, read this manual thoroughly, starting at the **Important Safety Instructions** section (Pg. 1).

Dacor appliances are designed and manufactured with quality and pride, while working within the framework of our company values. Should you ever have an issue with your hood, first consult the **Troubleshooting** section (Pg. 7), which gives suggestions and remedies that may pre-empt a call for service.

Valuable customer input helps us continually improve our products and services, so feel free to contact our Customer Assurance Team for assistance with all your product-support needs.

Dacor Customer Assurance

14425 Clark Avenue
City of Industry, CA 91745

Telephone: 833-35-ELITE (833-353-5483) USA, Canada
Fax: (626) 403-3130
Hours of Operation: Mon – Fri, 5:00 a.m. to 5:00 p.m. Pacific Time
Website: www.dacor.com/customer-care/contact-us

Thanks for choosing Dacor for your home. We are a company built by families for families, and we are dedicated to serving yours. We are confident that your new Dacor hood will deliver a top-level performance and enjoyment for decades to come.

Sincerely,

The Dacor Customer Assurance Team

Important Safety Instructions

Installer: Leave these instructions with the appliance.

Consumer: Before using the hood, read this manual completely, and save it for reference.

For warranty information, see page 7.

If you have any questions, contact Dacor Customer Assurance (see previous page).

Have the model and serial number for your hood available. Remove the filters to access the model and serial number labels. Record these numbers below for easy access.

Model number _____

Serial number _____

Date of purchase _____

At Dacor, we continuously improve the quality and performance of our products. We may need to make changes to this appliance without updating these instructions. Visit www.dacor.com to download the latest version of this manual.

Important Information About Safety Instructions

The **Important Safety Instructions** and warnings in this manual cannot cover all possible issues. Use common sense and caution when maintaining/operating the hood.

Safety Symbols and Labels

DANGER

Immediate hazards that **WILL** result in severe personal injury or death.

WARNING

Hazards or unsafe practices that **COULD** result in severe personal injury or death.

CAUTION

Hazards or unsafe practices that **COULD** result in minor personal injury or property damage.

DANGER

To avoid the possibility of explosion or fire, do not store or use combustible, flammable or explosive vapors and liquids (such as gasoline) inside or in the vicinity of this or any other appliance. Also keep items that could explode, such as aerosol cans away from cooktop burners, ovens and range hoods. Do not store flammable or explosive materials in adjacent cabinets or areas.

WARNING

WARNING - TO REDUCE THE RISK OF FIRE, ELECTRIC SHOCK, OR INJURY TO PERSONS, OBSERVE THE FOLLOWING:

- a. Use this unit only in the manner intended by the manufacturer. If you have questions, contact the manufacturer.
- b. Before servicing or cleaning unit, switch power off at service panel and lock the service disconnecting means to prevent power from being switched on accidentally. When the service disconnecting means cannot be locked, securely fasten a prominent warning device, such as a tag, to the service panel.

State of California Proposition 65 Warning:

This product contains one or more chemicals known to the State of California to cause cancer and birth defects or other reproductive harm.

READ AND SAVE THESE INSTRUCTIONS

Important Safety Instructions

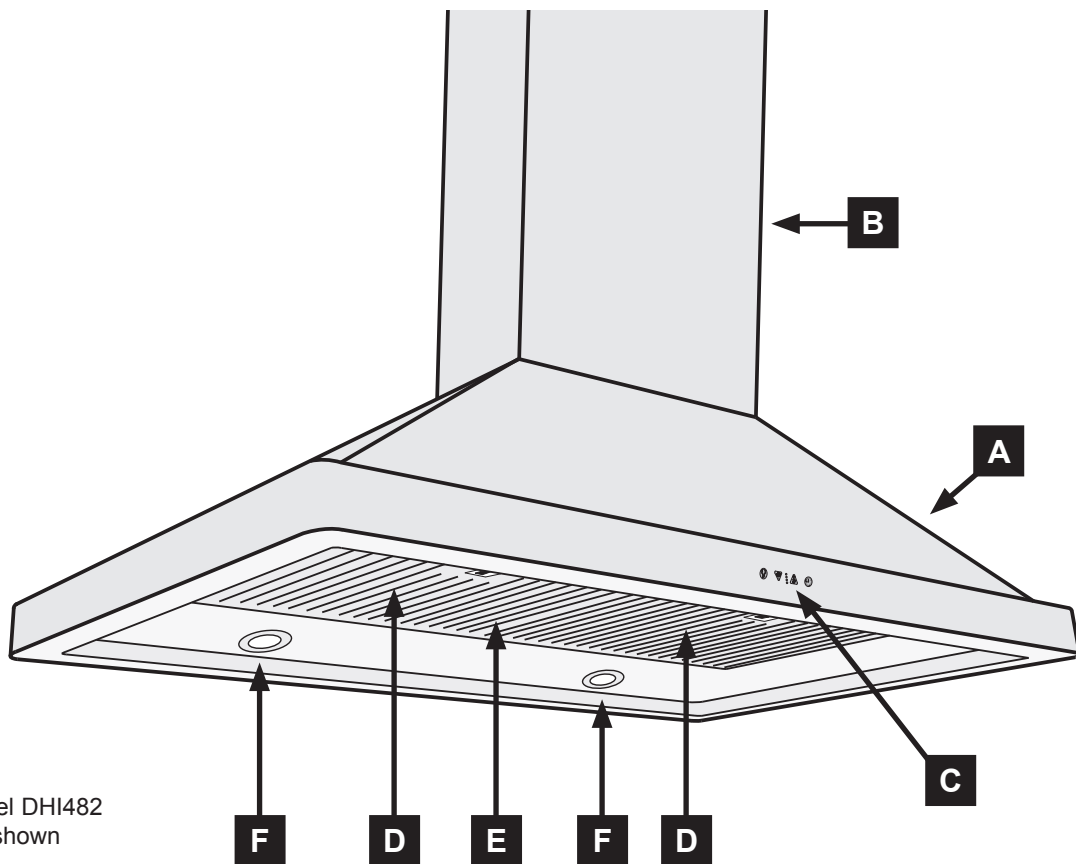
General Safety Precautions

To reduce the risk of fire, electric shock, serious injury or death when using your range hood, follow basic safety precautions, including the following:

WARNING

- If you receive a damaged product, immediately contact your dealer or builder. Do not install or use a damaged hood.
- Make sure that the range hood has been properly installed and grounded by a qualified installer according to the accompanying installation instructions. Have the installer show you the location of the circuit breaker panel or fuse box so that you know where and how to turn the power off.
- Do not install, repair or replace any part of the range hood unless specifically recommended in the literature accompanying it. A qualified service technician should perform all other service.
- Use the range hood only for its intended purpose as outlined in this manual. **DO NOT** use this range hood to vent hazardous or explosive materials or vapors. If you have questions, contact the manufacturer.
- Do not tamper with the controls.
- Never allow the filters to become blocked or clogged. Do not allow foreign objects, such as cigarettes or napkins, to be sucked into the hood.
- If the cooktop and range hood are near a window, use an appropriate window treatment. Avoid long drapes or other window coverings that could blow over the cooktop and hood, resulting in a fire hazard.
- Always run the blower(s) whenever the cooktop is operating.
- Do not leave children or pets alone or unattended in the area where the cooktop and range hood are in use. Never allow children to sit or stand on an appliance. Do not let children play with a range, cooktop or range hood. Do not store items of interest to children above or around the cooktop, range or range hood.
- The minimum vertical distance between the cooking surface and the exterior part of the hood must be no less than 30" (76.2 cm). The vertical distance may be longer for the range or cooktop being used. Consult the range or cooktop installation instructions for the minimum vertical distance from the appliance being used.
- Clean the range hood only in the manner specified in this manual.
- To reduce the risk of a range top grease fire:
 - a. Never leave surface units unattended at high settings. Boil-overs cause smoking and greasy spill-overs that may ignite. Heat oils slowly on low or medium settings.
 - b. Always turn hood ON when cooking at high heat or when flambéing food (i.e. Crepes Suzette, Cherries Jubilee, Peppercorn Beef Flambe’).
 - c. Clean ventilating fans frequently. Grease should not be allowed to accumulate on fan or filter.
 - d. Use proper pan size. Always use cookware appropriate for the size of the surface element.
- **TO REDUCE THE RISK OF INJURY TO PERSONS IN THE EVENT OF A RANGE TOP GREASE FIRE:**
 - a. **SMOTHER FLAMES** with a close-fitting lid, cookie sheet or metal tray, then turn off the burner. **BE CAREFUL TO PREVENT BURNS.** If the flames do not go out immediately, **EVACUATE AND CALL THE FIRE DEPARTMENT.**
 - b. **NEVER PICK UP A FLAMING PAN** - you may be burned.
 - c. **DO NOT USE WATER**, including wet dish clothes or towels - a violent steam explosion may result.
 - d. Use a fire extinguisher **ONLY** if:
 - ◇ You have a Class ABC extinguisher, and you already know how to operate it.
 - ◇ The fire is small and contained in the area where it started.
 - ◇ The fire department is being called.
 - ◇ You can fight the fire with your back to an exit.

Parts of the Range Hood



A HOOD - The hood directs heat and smoke into the blower system located inside the unit. The blower system forces heat and smoke into the duct inside the chimney **B** which vents to the outside. The filter(s), the lights and main power switch are located on the under side of the hood. The blower system on some hoods consists of two blowers. See the table below.

C CONTROL PANEL - Use the keys on the control panel to control the hood's various features.

D FILTER(S) - Prevent grease and grime from getting into the blower(s). The number of filters depends on the model. See the table below.

E MAIN POWER SWITCH - Located behind the filter, on the bottom of the hood, on the opposite side of the control panel. Controls power to the control panel, lights and blower(s).

F LIGHTS - 20 Watt halogen lights. The number of lights and location depends on the model. See the table below.

Hood Features

Model	Hood Type	Hood Width	Blowers	Filters	Lights
DHW301	Wall mount	30 Inches	1	1	2
DHW361	Wall mount	36 Inches	1	1	2
DHW421	Wall mount	42 Inches	1	1	3
DHW482	Wall mount	48 Inches	2	2	4
DHI361	Ceiling mount	36 Inches	1	1	4
DHI421	Ceiling mount	42 Inches	1	1	4
DHI482	Ceiling mount	48 Inches	2	2	4
DHI542	Ceiling mount	54 Inches	2	2	6

Operating Instructions

WARNING

Never operate the range hood without the filter(s) in place. Also, do not operate the hood with grimy or grease-laden filters. Personal injury, fire or damage to the range hood could result.

Important Operating Tips

- Always use the blower when using the cooktop or range.
- Turn the blower on a few minutes before starting to cook to establish an airflow pattern in the room.
- Adjust the fan speed according to the volume and weight of the food you are cooking.
- Shut nearby windows and doors, turn off ceiling fans and close nearby heating and air conditioning outlets to reduce air currents around the hood.
- Place your largest pots and pans on the back burners when possible.
- In the interest of safety, heat oils and fats slowly.

Operation

NOTE: After 30 hours of blower operation, the control panel will flash. This signal means it is time to clean the filter system (see page 5). Press the timer reset key **E** to reset the timer. The lights will stop flashing.

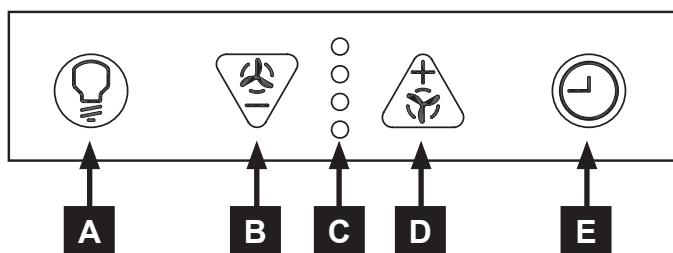
Main Power Switch

The main power switch is located behind the filter, on the bottom of the hood, on the opposite side of the control panel. See page 3 for the location.

Remove the filters and push in on the switch to turn power on or off. The control panel is lit when the main power switch is on.

Turning on the Lights

- Touch the light key **A** to turn on the lights.
- Touch the light key again to turn them off.

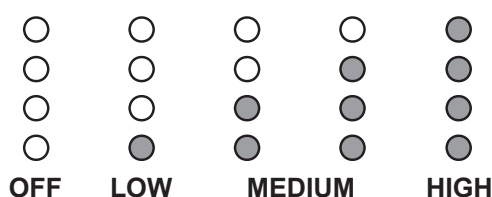


Control Panel

Turning on the Blower System

The blower system has four speed settings. The speed is indicated by the number of lights that glow on the blower speed indicator **C**.

- Touch the "+" key **D** to turn on the blower system.
- To increase the speed, touch and release the "+" key until the blower system is at the desired setting.
- Touch and release the "-" key **B** on the control panel to decrease the speed.
- Touch and hold the "-" key to turn the blower completely off.



Blower Speed Indicator

NOTE: To conserve energy, the blower system automatically turns itself off after four hours of continuous operation.

Energy Saving Tips

- Do not operate the fan at a speed higher than necessary to remove heat and smoke. Running at too high a speed will draw in air from outside the house, increasing heating and cooling costs.
- Keep the filter system and hood surfaces free of grease and grime to improve efficiency.
- Turn the fan off as soon as all smoke and odors have been cleared.
- Select cookware of the proper size, material and construction for the cooking task. Always use lids on cookware to retain heat and moisture.
- Minimize the amount of liquid used to cook food.

Care and Cleaning

Cleaning

WARNING

To avoid the risk of fire, electric shock or personal injury:

- Turn off power to the hood at the circuit breaker panel or fuse box before cleaning.
- Clean the hood only in the manner specified.
- Use only the types of cleaning solutions specified in this manual.
- Thoroughly dry the filter(s) immediately after cleaning.
- Turn off the cooktop or range and make sure that the appliance and range hood are cool before cleaning.

CAUTION

- Always wipe stainless steel (silver colored) surfaces with the grain. To prevent scratching, do not use abrasive cleaners or scrubbers on stainless steel or glass surfaces.
- To avoid damage to the blower system, do not reinstall damaged filters (see page 6 for replacement part numbers).

Proper cleaning is necessary to ensure safe operation and maintain hood performance and appearance. The frequency of cleaning should be adjusted according to the type and amount of cooking. Best results will be achieved by cleaning soiled components as soon as possible.

Cleaning Stainless Steel Surfaces

Clean stainless steel surfaces with a mild solution of detergent or dishwashing soap and warm water. Rinse and dry with a soft, lint-free cloth.

You may also use Dacor Stainless Steel Cleaner. Use it according to the directions on the package.

Cleaning the Light Lens

Use a mild glass cleaner to remove smudges on the light fixture lens. You can also clean it with Dacor Cook Top Cleaning Creme. Use it according to the directions on the package.

Cleaning the Filter(s)

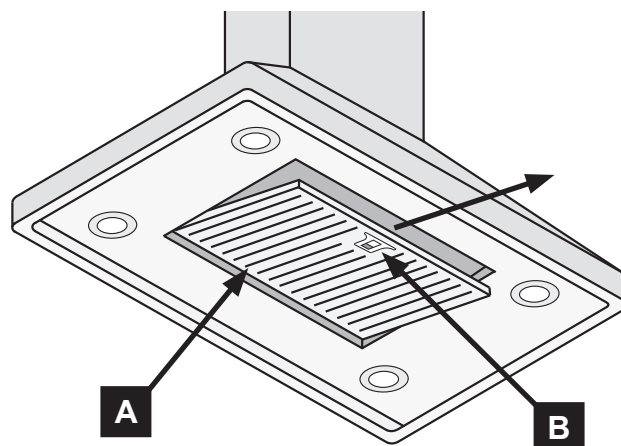
Clean the filter a minimum of every two months. To help remind you to clean the filter(s), the control panel will flash after 30 hours of blower operation. Touch the timer reset key to reset.



Removing the Filter

The filter **A** is located on the bottom of the hood, directly above the cooking surface.

1. Hold the filter in place with one hand and pull back on the release lever **B** with the other.
2. While pulling back on the release lever, lower the filter out of the hood. On hoods with more than one filter, remove, clean and replace all of the filters.



Cleaning the Filter

Hand wash the filter in hot water with a mild detergent solution or dishwashing soap. You can also place it in an automatic dishwasher. Dry the filter completely before reinstalling.

Reinstalling the Filter:

1. Insert tabs on the end of the filter opposite the release lever into the slots toward the back of the hood (above the hood rim). The release lever must be facing down.
2. Pull back on the release lever while sliding the free end of the filter into the filter opening.
3. Release the lever.

Care and Cleaning

Maintenance

Light Bulb Replacement

WARNING

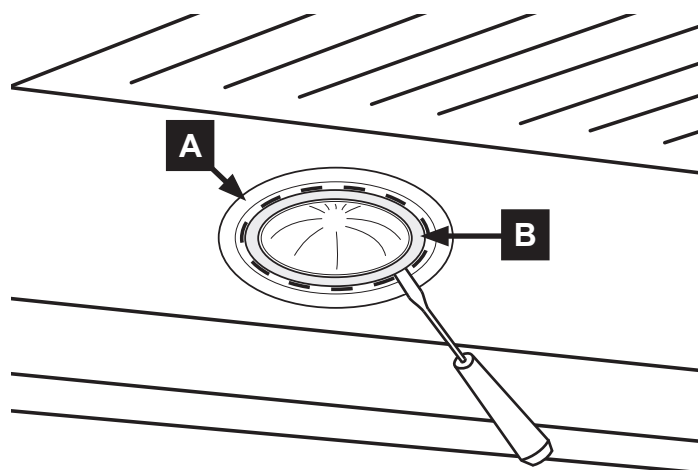
- To prevent electric shock turn off power at the fuse or junction box before replacing a light bulb.
- To avoid personal injury, make sure the cooktop or range, the hood and the light are cool before changing a light bulb.

Light bulb replacement is considered to be a homeowner maintenance operation. If all of the lights do not work, before replacing any bulbs, check to make sure power is on at the circuit breaker panel or fuse box.

Replace the light bulb only with Dacor Part No. 106660. See **Replacement Parts** for ordering information.

IMPORTANT:

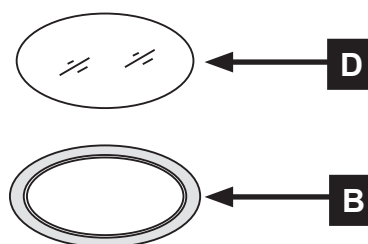
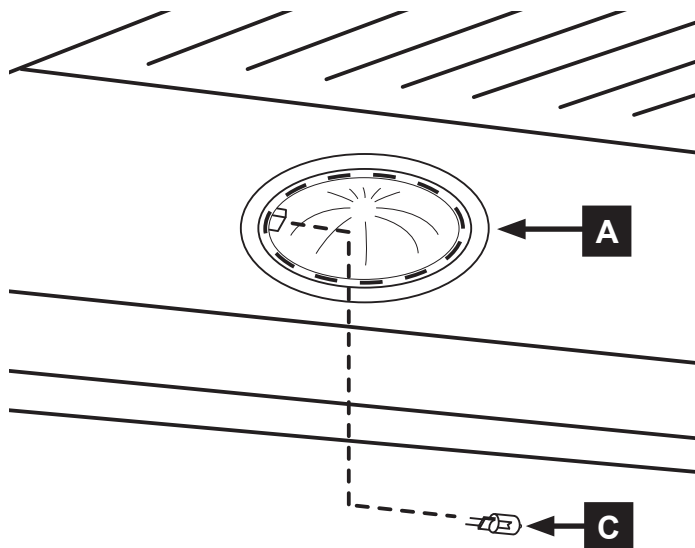
- Do not touch the replacement halogen light bulb with your fingers. Halogen bulbs are sensitive to the oils from your hand. The oils from your hand will stick to the bulb and cause it to burn out faster than normal.
- Do not pry out the entire light fixture **A**, when replacing the light bulb. It is difficult to reinstall. Pry out only the lens retaining ring **B**, which is the inner metal ring attached to the light fixture.



Light Bulb Replacement Instructions

1. Turn off the main power switch. See page 3 for the location.
2. Hold the lens retaining ring **B** and lens in place with one hand while prying the edge of the ring loose with a small screwdriver or plastic knife. If you use a screwdriver, cover the end with tape to prevent scratching.

3. Once the lens retaining ring and lens are removed, pull the old bulb **C** sideways, out of the socket.



4. Using a glove, insert the new bulb into the socket. Line up the prongs on the new light bulb with the holes in the light socket. Gently push in on the new bulb until it stops.
5. Center the lens **D** on the lens retaining ring **B** and snap it back into place on the light fixture **A**.
6. Turn on the main power switch. Touch the light key to make sure it is working.

Replacement Parts

Dacor Part Number	Description
106660	Halogen light bulb
101952	Filter
A302	Stainless steel cleaner
A300	Cooktop cleaning creme

For replacement parts, contact your Dacor dealer or visit www.everythingdacor.com.

Troubleshooting

Problem	May Be Caused By	What to Do
Nothing Works. Control panel is not lit. Blower system does not work.	Power to hood is off.	Turn on power at circuit breaker panel or fuse box. Check for tripped breaker or blown fuse.
	Hood main power switch is off.	Make sure hood main power switch is on (see page 3 for location).
	Power outage.	Call electric company.
	Hood not connected to electric power.	Have qualified electrician connect hood to electric power.
Lights do not work. Control panel is not lit.	See Nothing Works above.	
Light does not work. Control panel is lit.	Loose light bulb.	Check to make sure that both prongs on the light bulb are inserted into the holes on the light socket (see page 6).
	Light bulb burned out.	Replace light bulb (see page 6).
Blower system does not draw heat and smoke properly.	Fan set to low setting.	See Operating Instructions section.
	Filter(s) clogged or dirty.	Check filters. Make sure they are completely clean and not blocked by foreign objects.
	Damper jammed shut or duct work clogged.	Consult with a qualified installation professional.*
Blower system shuts off by itself.	Normal operation.	To conserve energy, the blower automatically turns itself off if it is left on for four hours continuously.
Blower system does not work. Control panel not lit.	See Nothing Works above.	
Blower system does not work. Control panel lit.	Blower system malfunction.	Call for service.

* The duct work connected from the range hood to outside the house or building required to vent heat and smoke is not manufactured, warranted or serviced by Dacor. The customer is responsible for having a qualified installer install and maintain the duct work.

Warranty

Warranty

What Is Covered

CERTIFICATE OF WARRANTIES: DACOR RANGE HOODS

WITHIN THE FIFTY STATES OF THE U.S.A., THE DISTRICT OF COLUMBIA AND CANADA*:

FULL ONE-YEAR WARRANTY

The warranty applies only to the Dacor appliance sold to the first use purchaser, starting from the date of original retail purchase or closing date for new construction, whichever period is longer. Warranty is valid on products purchased brand new from a Dacor Authorized Dealer or other seller authorized by Dacor.

If your Dacor product fails to function within one year of the original date of purchase, due to a defect in material or workmanship, Dacor will remedy it without charge to you.

All cosmetic damage (such as scratches on stainless steel, paint/porcelain blemishes, etc.) to the product or included accessories must be reported to Dacor within 60 days of the original purchase date to qualify for warranty coverage.

Consumable parts such as filters and light bulbs are not covered and are the responsibility of the purchaser.

LIMITATIONS OF COVERAGE

Service will be provided by a Dacor designated service company during regular business hours. Please note service providers are independent entities and are not agents of Dacor.

Dealer display and model home display products with a production date greater than 5 years, products sold "As Is," and products installed for non-residential use, which include but are not limited to religious organizations, fire stations, bed and breakfast and spas carry a one year parts warranty only. All delivery, installation, labor costs and other service fees are the responsibility of the purchaser.

Warranty will be null and void on product that has altered, defaced or missing serial numbers and tags. The owner must provide proof of purchase or closing statement for new construction upon request. All Dacor products must be accessible for service.

*Warranty is null and void if non-UL/CSA approved product is transported from the U.S.

OUTSIDE THE FIFTY STATES OF THE U.S.A., THE DISTRICT OF COLUMBIA AND CANADA:

LIMITED FIRST YEAR WARRANTY

If your Dacor product fails to function within one year of the original date of purchase due to a defect in material or workmanship, Dacor will furnish a new part, F.O.B. factory to replace the defective part.

All delivery, installation, labor costs and other service fees are the responsibility of the purchaser.

What Is Not Covered

- Slight color variations may be noticed because of differences in painted parts, kitchen lighting, product placement and other factors; this warranty does not apply to color variation.
- Service calls to educate the customer on proper use and care of the product.
- Service fees for travel to islands and remote areas, which include but are not limited to, ferries, toll roads or other travel expenses.
- Consequential or incidental damage, including but not limited to food or medicine loss, time away from work or restaurant meals.
- Failure of the product when used for commercial, business, rental or any application other than for residential consumer use.
- Failure of the product caused by improper product installation.
- Replacement of house fuses, fuse boxes or resetting of circuit breakers.
- Damage to the product caused by accident, fire, flood, power interruption, power surges or other acts of God.
- Liability or responsibility for damage to surrounding property including cabinetry, floors, ceilings and other structures or objects around the product.
- Breakage, discoloration or damage to glass, metal surfaces, plastic components, trim, paint or other cosmetic finish caused by improper usage, care, abuse or neglect.

Out of Warranty

Should you experience a service issue beyond the standard warranty period, please contact us. Dacor reviews each issue and customer concern to provide the best possible solution based on the circumstances.

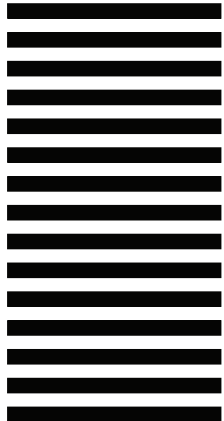
THE REMEDIES PROVIDED IN THE ABOVE EXPRESS WARRANTIES ARE THE SOLE AND EXCLUSIVE REMEDIES. THEREFORE, NO OTHER EXPRESS WARRANTIES ARE MADE, AND OUTSIDE THE FIFTY STATES OF THE UNITED STATES, THE DISTRICT OF COLUMBIA AND CANADA, ALL IMPLIED WARRANTIES, INCLUDING BUT NOT LIMITED TO, ANY IMPLIED WARRANTY OF MERCHANTABILITY OR FITNESS FOR A PARTICULAR USE OR PURPOSE, ARE LIMITED IN DURATION TO ONE YEAR FROM THE DATE OF ORIGINAL PURCHASE. IN NO EVENT SHALL DACOR BE LIABLE FOR INCIDENTAL EXPENSE OR CONSEQUENTIAL DAMAGES. IN THE EVENT DACOR PREVAILS IN ANY LAWSUIT, DACOR SHALL BE ENTITLED TO REIMBURSEMENT OF ALL COSTS AND EXPENSES, INCLUDING ATTORNEY'S FEES, FROM THE DACOR CUSTOMER. NO WARRANTIES, EXPRESS OR IMPLIED, ARE MADE TO ANY BUYER FOR RESALE.

Some states do not allow limitations on how long an implied warranty lasts, or do not allow the exclusion or limitation of inconsequential damages, therefore the above limitations or exclusions may not apply to you. This warranty gives you specific legal rights, and you may also have other rights that vary from state to state.

fold here



NO POSTAGE
NECESSARY
IF MAILED
IN THE
UNITED STATES



BUSINESS REPLY MAIL
FIRST-CLASS MAIL PERMIT NO 1600 CITY OF INDUSTRY CA

POSTAGE WILL BE PAID BY ADDRESSEE

**DACOR
ATTN WARRANTY PROCESSING DEPT
PO BOX 90070
CITY OF INDUSTRY CA 91715-9907**





Please visit www.dacor.com to activate your warranty online.

WARRANTY INFORMATION

**IMPORTANT:**

Your warranty will not be activated until you activate it online or return this form to Dacor. If you have purchased more than one Dacor product, please return all forms in one envelope, or activate the warranty online for each product.

Please be assured that Dacor will never sell your name or any information on this form for mailing-list purposes, as we do not consider it a proper way of expressing our gratitude for your having chosen Dacor products for your kitchen!

Owner Last Name (please print) _____ First _____ Middle Init. _____

Street _____

City _____ State _____ Zip _____

Purchase Date _____ Email _____ Phone _____

Dealer _____

City _____ State _____ Zip _____

Your willingness to take a few seconds to complete the section below will be sincerely appreciated. Thank you.

1. How were you first exposed to Dacor products? (Please check one.)

- A. T.V. Cooking Show
- B. Magazine
- C. Appliance Dealer Showroom
- D. Kitchen Dealer Showroom
- E. Home Show
- F. Builder
- G. Architect/Designer
- H. Another Dacor Owner
- I. Model Home
- J. Other _____

2. Where did you buy your Dacor appliances?

- A. Appliance Dealer
- B. Kitchen Dealer
- C. Builder Supplier
- D. Builder
- E. Other _____

3. For what purpose was the product purchased?

- A. Replacement only
- B. Part of a Remodel
- C. New Home
- D. Other _____

4. What is your household income?

- A. Under \$75,000
- B. \$75,000 – \$100,000
- C. \$100,000 – \$150,000
- D. \$150,000 – \$200,000
- E. \$200,000 – \$250,000
- F. Over \$250,000

5. What other brands of appliances do you have in your kitchen?

- A. Cooktop _____ C. Dishwasher _____
- B. Oven _____ D. Refrigerator _____

6. Would you buy or recommend another Dacor product?

- Yes
- No

Comments _____

Thank you very much for your assistance. The information you have provided will be extremely valuable in helping us plan for the future and in giving you the support you deserve.



cut here

cut here