



54" ISLAND CHIMNEY HOOD

DHI542



GENERAL PROPERTIES

FINISH: STAINLESS STEEL

OPTIONAL ACCESSORIES

RECIRCULATION KIT FOR DHI542: AVDI2

NUMBER OF MOTORS

(2) DOUBLE BLOWER: 1200 CFM

TECHNICAL INFORMATION

CIRCUIT REQUIREMENTS: 120VAC, 15AMP, GROUNDED DEDICATED, 3-WIRE CIRCUIT

TOTAL CONNECTED LOAD: 120VAC/60HZ

MAX CURRENT DRAW: 7.1 AMPS

SHIPPING WEIGHT: 172 LBS

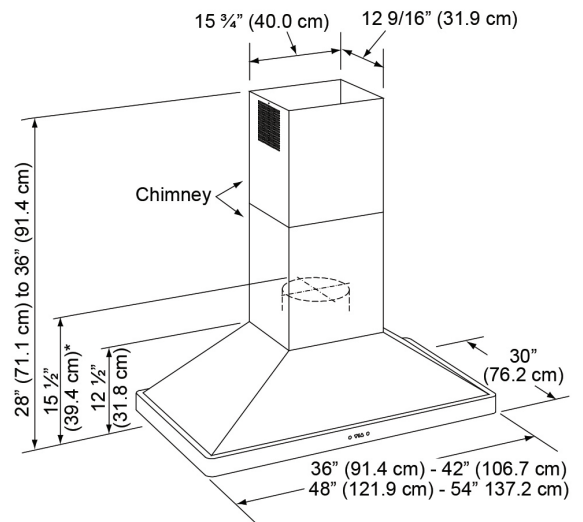
PRODUCT DIMENSIONS

ISLAND DIMENSIONS (H X W X D) (IN.): 28"-36" X 54" X 30"

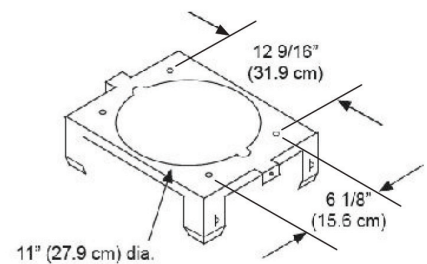
DHICH / DHI MODEL

FEATURES & BENEFITS

- 8" diameter exhaust. Can accommodate up to a 10" duct.
- Squirrel cage style blower. 4 blower speeds.
- Auto off setting after 4 hours.
- Blue illuminated electronic control panel.
- 10 minute Timer (motor runs for 10 minutes and then automatically shuts off).
- 20 watt halogen lights (can be used w/ 10, 20, or 30w bulbs)
- Easy-to-clean Baffle Filter System, dishwasher safe.
- Must order both DHICH and DHI model numbers



DHICH CEILING MOUNTING BRACKET



**Warranty: Limited, parts and labor for one year