



Installation Instructions

Modernist Range Hood

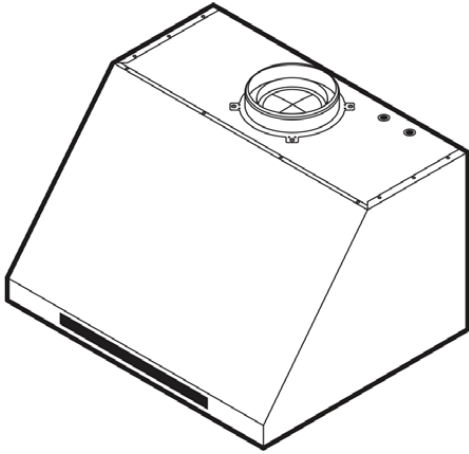
DHD30M967/DHD36M987/DHD48M987

Contents

Before You Begin	3
Important Notes	3
Customer-Assurance Information	3
Important Safety Instructions	4
Related Equipment Safety	4
Installation Safety	4
Installation Requirements	6
Checklist	6
Preparing to Install the Hood	6
Installation Planning	7
Hood Specifications	8
Electrical/Ductwork Connections	9
Overall Hood Dimensions	10
Cabinet Layout Dimensions	11
Installation Instructions	12
Meeting Electrical Codes	12
Preparation and Setup	12
Installing the Electrical Source	13
Meeting Installation Requirements	13
Planning the Ductwork	14
Planning the Mounting Location	16
Marking the Exhaust-Duct Centerlines	17
Installing the Support Brackets	18
Rotating the Blowers for Rear Exhaust	19
Assembling the Filters	22
Using the Optional Dual-to-Single Transition Kit #AHT10	22
Hanging the Hood	23
Hardwiring the Hood	24
Inserting Light Bulbs	26
Verifying Proper Function	26
Wiring Diagram	27

Before You Begin

Important Notes



Installer

- In the interest of safety and to minimize problems, read this manual thoroughly before starting the installation.
- Leave this manual with the customer.
- Show the owner how to shut off power to the hood.

Customer

Keep this manual for personal and professional reference.

Customer-Assurance Information

To resolve questions and installation issues, contact your Dacor® dealer or Dacor Customer Assurance. Before calling, have the hood's model and serial numbers available. (See the data label inside the hood above the filters on the chassis' rear wall).

Phone: (800) 793-0093 x2813 (US, Canada)
Hours of Operation: Mon – Fri 5:00 a.m. to 5:00 p.m. Pacific Time
Website: www.dacor.com/customer-care/contact-us

All specifications are subject to change without notice. Dacor assumes no liability for such changes.

© 2017 Dacor, all rights reserved.

Important Safety Instructions

Related Equipment Safety

Remove and dispose of all packaging before using the hood. Do not let children play with the packaging.

Never modify the construction of the hood (e.g., do not remove panels, wire covers, or screws).

⚠ DANGER

ELECTRICAL SHOCK HAZARD

To avoid risk of electrical shock, personal injury, or death; ensure the hood is properly grounded according to local codes or in their absence, with the National Electrical Code (NEC). ANSI/NFPA 70-latest edition.

⚠ WARNING

MOVING HAZARD

To avoid personal injury, use at least two people to handle the hood. Use an appliance dolly if possible.

Installation Safety

The Important Safety Instructions and warnings in this manual cannot cover all possible issues. Use common sense and caution when installing, maintaining, and operating the hood.

Contact Dacor Customer Assurance (Pg. 3) about issues and conditions you do not understand.

⚠ WARNING

To reduce risk of property damage, fire, personal injury, and death:

- Do not store or use combustible material (e.g., gas, alcohol, paint thinner, aerosol cans) on nearby countertops or in adjacent cabinetry.
- Follow the directions in this manual exactly
- Use the hood only as intended by the manufacturer. If you have questions, contact Dacor (Pg. 3).
- Installation and wiring must be done by qualified person(s) according to applicable codes and standards, including fire-rated construction.
- Sufficient air is needed for proper expulsion of cooktop gases to prevent backdraft; follow the cooktop manufacturer's guidelines and safety standards such as those published by the National Fire Protection Assn (NFPA), and the American Society for Heating, Refrigeration and Air Conditioning Engineers (ASHRAE), and the local code authorities.
- When cutting or drilling into a wall or ceiling, take care not to damage wiring and other utilities.
- Ducted fans must always be vented to the outdoors.
- Do not use the hood to vent hazardous/explosive materials or vapors. If you have questions, contact Dacor (Pg. 3).

Important Safety Instructions

Installation Safety, cont.

⚠ WARNING

To reduce risk of property damage, fire, personal injury, and death:

- If you receive a damaged product, immediately contact the dealer/builder. Do not install/use a damaged hood.
- Install the hood as instructed in this manual and as specified by the cooktop/range manufacturer. Improper installation, adjustment, alteration can cause serious personal injury or property damage.
- Do not install/repair/replace any part of the range hood unless specifically instructed in this manual. A qualified service technician should perform all other service.
- Do not use an extension cord or adapter plug with the hood.
- Do not tamper with the controls.
- Never let the filters become blocked/clogged, or foreign objects (e.g., cigarettes, napkins) be sucked into the hood.
- Do not use window coverings that could blow over the cooking surface and hood.
- Use only metal ducting.
- The minimum vertical distance between the cooking surface and the lowest part of the hood must be 30" (76.2 cm). See the instructions in this manual for this distance in your specific case.
- Do not try to operate the hood during a power outage.
- Always turn the hood ON if cooking at high heat or when flaming food.
- Clean ventilating fans frequently so grease does not collect on the filter or other hood parts.

Installation Requirements

Installation Checklist

The installer should review this checklist to verify the thoroughness/accuracy of the installation. The owner is ultimately responsible for the unit's proper installation.

WARNING

- The hood is properly attached to the wall as instructed (Pg. XX).
- Ducting is fully installed; joints are secured with sheet-metal screws and wrapped with foil tape (Pg. 21-23).
- The hood is wired/grounded as instructed and per all applicable electric codes (Pgs. 18-19).
- Filters are assembled as instructed (Pg. 30).
- The setup was verified.
- Any problems were noted on the warranty card or during the online warranty activation.
- The warranty card was completed and mailed, or the warranty was activated online.

Preparing to Install the Hood

Have these tools and hardware available before starting the installation.

Hood Installation

- Phillips screwdriver
- Flat-head screwdriver
- Pencil/marketing tool
- Wire connector caps
- Wire stripper
- Drill, bits
- Level
- Junction box
- Jigsaw
- 8" ducting
- Foil tape
- Sheet-metal screws

Dual-to-Single Vent Transition Kit (option)

- Dacor Kit #AHT10 (DHD48 only)
- 10" ducts, ducting material
- Drill, bits
- Sheet-metal screws
- Foil tape

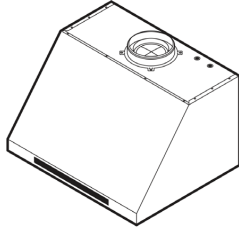
Blower Rotation (option)

- Phillips screwdriver
- 5/16" nutdriver

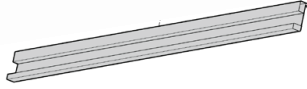
Installation Requirements

Preparing to Install the Hood, cont.

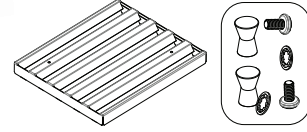
Parts List



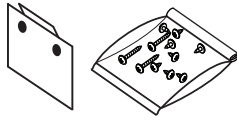
Hood (1)
(models vary in size)



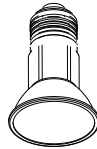
Grease channel (1)



Baffle-style filter* 48" (4),
36" (3), 30" (2)



Holding brackets, Hardware (2)



Dimmable LED light bulbs
48" (4), 36" (3), 30" (2)



Light-replacement tool (1)



Product literature** (2)



Dacor cleaning cream (1)
Stainless-steel units only

* Ready-to-assemble kit
** Installation Instructions, User Manual

Installation Planning

- The owner shall ensure that the hood is installed by qualified personnel.
- The hood should be placed for convenient access. Ensure that electrical power can be provided to the selected location and that the outlet is easily accessible for service/emergency shutoff.
- All minimum clearances must be met. Dimensions shown provide minimum clearances unless otherwise noted.
- The specified minimum cabinet depth and width must be provided.
- Ensure that you have all tools/materials needed for proper installation before starting.

Installation Requirements

Hood Specifications

General: All Models (DHD30/36/48)

Features	Description
Blower Speeds	Four (4)
Filters	Baffle style, dishwasher safe
Exhaust(s)	8" duct diameter
Total Connect Load	30", 36": 120V, 60 Hz, 15 Amp (actual load 3.3 Amp, 6 Amp initial surge)
	48": 120V, 60 Hz, 15 Amp (actual load 6.1 Amp, 12 Amp initial surge)
Lights	Dimmable LED: PAR16 E26/27; 120V, 7.5W (75W Max. other bulbs)

General: Individual Models (DHD30/36/48)

Components	48"	36"	30"
Lights	4	3	2
Filters			
Blowers	2	1	1
Exhaust Vents			
Blower Rating	1200 CFM	600 CFM	600 CFM

Weight: Individual Models (DHD30/36/48)

Model	Weight
30	53 lbs (24 kg)
36	57 lbs (26 kg)
48	77 lbs (35 kg)

External Features: Individual Models (DHD30/36/48)

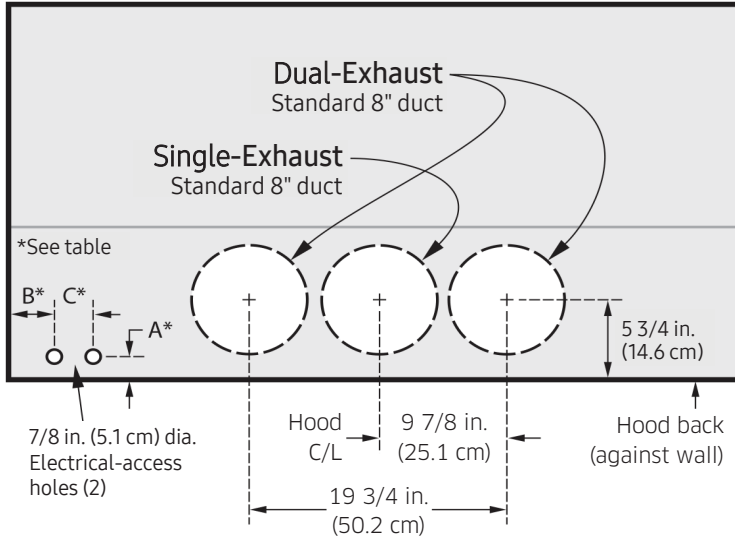
Model	Top Vent	Rear Vent	Rotatable Fan
30	x	x	x
36	x	x	x
48	x	x	x

Installation Requirements

Electrical/Ductwork Connections

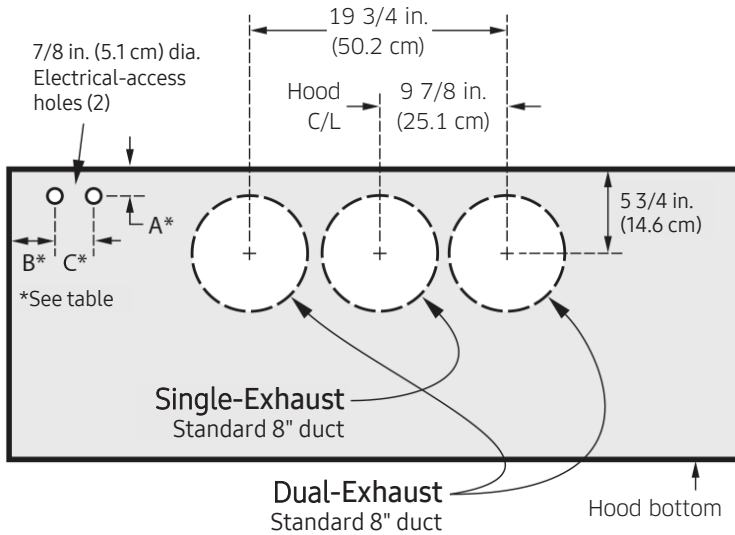
Connect wires and ductwork through the top or rear of the hood. Before installing the hood, mark the access holes according to the diagrams below. (Tolerances: +1/16" -0", unless otherwise stated.)

Top Connections: All models



Model	A	B	C
48	1 1/2" (3.81 cm)	5" (12.7 cm)	3" (7.62 cm)
36	1 1/2" (3.81 cm)	4 1/2" (11.43 cm)	
30	1 1/2" (3.81 cm)	5 1/2" (14. cm)	

Rear Connections: All models



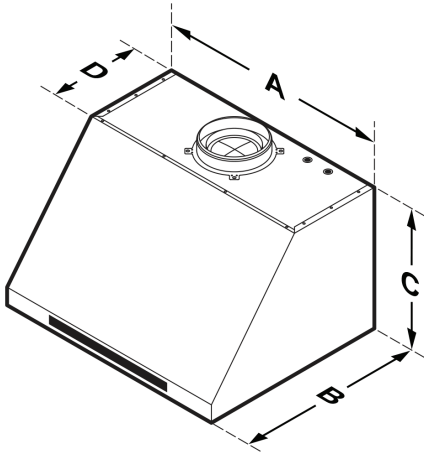
Model	A	B	C
48	1" (2.54 cm)	5" (12.7 cm)	3" (7.62 cm)
36	1" (2.54 cm)	4 1/2" (11.43 cm)	
30	1" (2.54 cm)	5 1/2" (14. cm)	

Installation Requirements

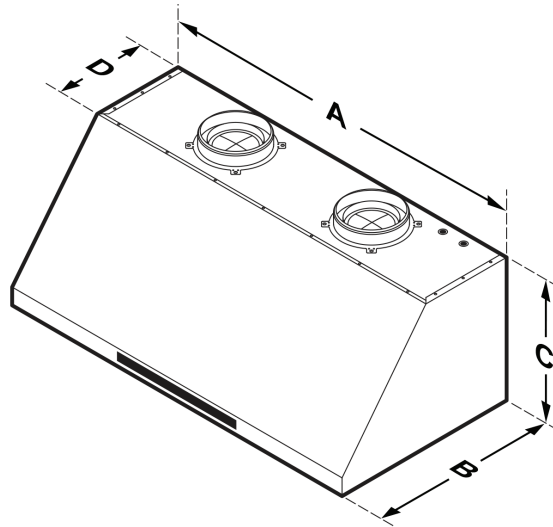
Overall Hood Dimensions

Tolerances: +1/16" -0" unless otherwise stated.

Single Blower DHD30/36 Series



Dual Blower DHD48 Series

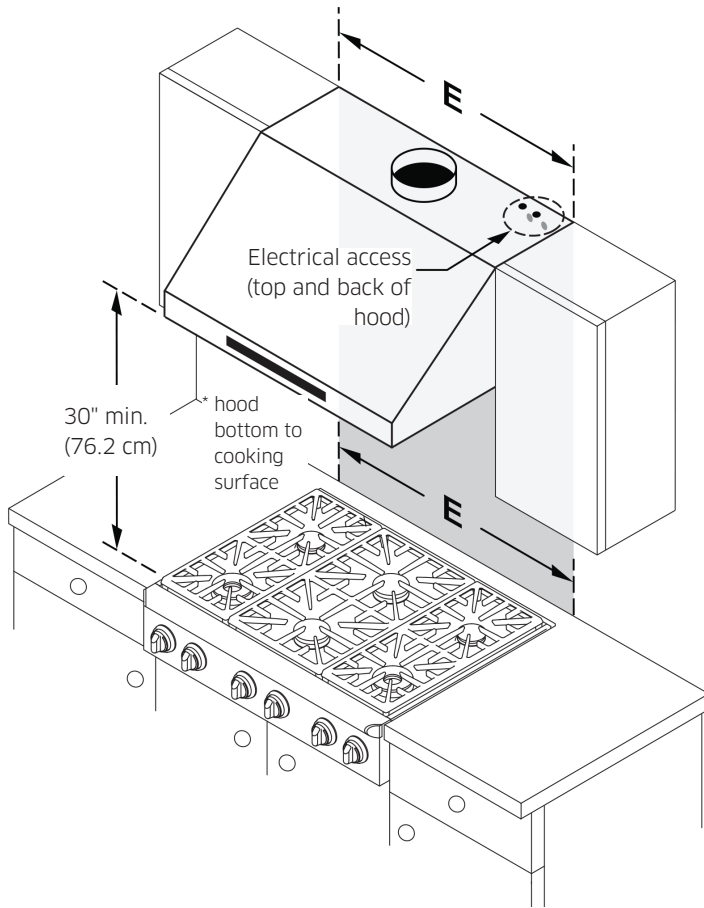


Model	A	B	C	D
30	29 7/8" (75.9 cm)	24" (61 cm)	18" (45.7 cm)	12" (30.5 cm)
36	35 7/8" (91.1 cm)			
48	47 7/8" (121.6 cm)			

Installation Requirements

Cabinet Layout Dimensions

Tolerances: +1/16" -0" unless otherwise stated.



Min. Width of E (Upper-Cabinet Cutout, Appliance Width)	
Model DHD	E
30	30" (76.2 cm)
36	36" (91.5 cm)
48	48" (121.9 cm)

Installation Instructions

Meeting Electrical Codes

- The owner shall verify that all electrical requirements are met by the installer.
- The electrical installation (incl. minimum supply-wire size and grounding) must comply with the National Electric code ANSI/NFPA (or latest revision), and local codes. Obtain a copy of the ANSI/NFPA standard from:

National Fire Protection Association
1 Batterymarch Park
Quincy, Massachusetts 02269-9101

- The hood's ground terminal must be connected to a grounded, metallic, permanent wiring system, or to a grounding conductor installed by a licensed electrician.
- Do not ground the unit or its wiring to a gas pipeline or to the neutral (white) power supply wire.
- Do not install a fuse in the neutral or ground circuit.
- Connect the hood directly to an electrical junction box. Hard-wire the hood per local code directly to a dedicated, 3-wire, grounded, single-phase circuit rated at 120 Vac 60 Hz, 15 Amp.

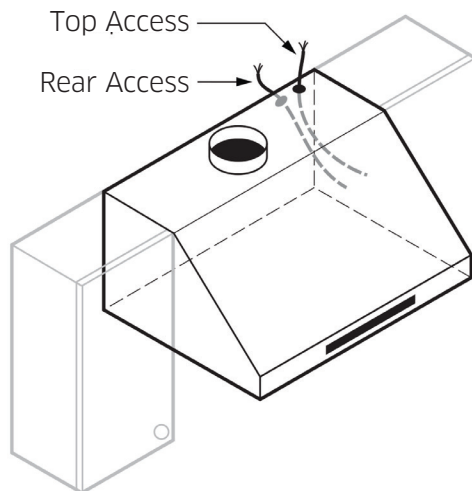
⚠ WARNING

Electrical Shock Hazard

Ensure a licensed electrician installs the electrical service to the range hood.

Preparation and Setup

This diagram shows the top and rear locations for wire access into the hood.

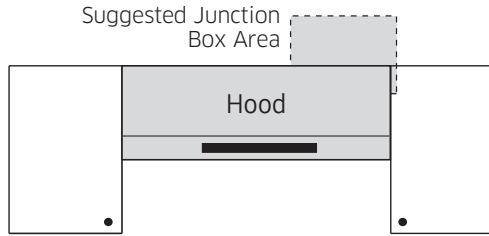


See Wiring Diagrams at the end of this document.

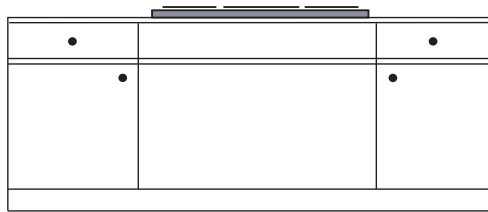
Installation Instructions

Installing the Electrical Source

In compliance with local codes, install an electrical junction box near the hood's wiring access holes.



1. In the cabinet or wall, drill 7/8" holes through which to pass the electrical wiring.
2. See the wiring diagram on the last page of this manual.



Meeting Installation Requirements

- The hood must be at least as wide as the cooktop.
- All dimensions must fall within specified minimums.
- Dimensions given are minimum clearances unless otherwise noted.
- All contact points between the hood and cabinetry/walls must be sturdy, solid, and at right angles.
- Install the hood so it can be removed for service.

⚠ WARNING

Follow local codes during planning/installation. Contact the local building department for details. Use only code-approved ductwork.

IMPORTANT: See the diagram on pg. 17 for the minimum installed distance from hood to cooktop surface. This distance depends on the range or cooktop in use. Check the manufacturer's specifications for the cooktop or range.

Installation Instructions

Planning the Ductwork

⚠ WARNING

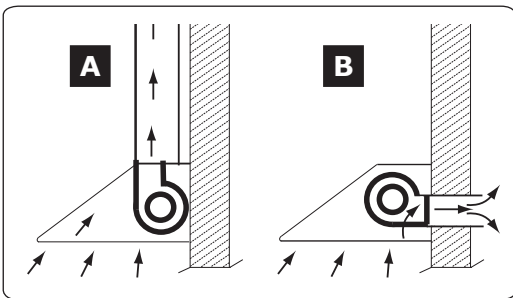
- To prevent combustion by-products, smoke, or odors from entering the home, and to improve efficiency, tape all duct joints securely.
- Range hoods may impede proper flow of smoke and combustion gases from furnaces, gas water heaters, and fireplaces. To avoid drawing lethal gases into the home, follow the manufacturer's directions for these devices and NFPA/ASHRAE recommendations.
- Failure to install a remote blower or proper ductwork may cause a backdraft and insufficient venting of smoke/fumes.
- DO NOT add an in-line or external blower to lengthen the duct. Even small differences between blower air-flow rates can greatly reduce the hood's air draw.

⚠ CAUTION

To reduce risk of fire and to properly exhaust air, never duct air into interior spaces.

⚠ WARNING

During duct installation, ensure the damper flaps on top of the hood can open freely.



- Building codes may require makeup air systems to be used with ventilation systems that move air at greater than the specified rate (CFM), which rate depends on locale. In designing the system, consult an HVAC specialist for local requirements and to ensure best performance.
- All ductwork material (incl. screws and foil tape) shall be provided by the customer.

- Ductwork must not interfere with floor joists or wall studs.
- On dual-exhaust models, the two 8" exhausts may be merged into one 10" duct using Dacor Transition Kit AHT10.
- Fasten all joints with sheet-metal screws, and seal with certified duct/foil tape.
- Typically, the blower vents through the hood top (A, above); however, the blower can be rotated to vent through the rear (B, above). When planning ductwork, always find the shortest, most direct route to the outside.

Duct-Length Calculation Table

The type of duct determines the hood's maximum straight duct length. To determine your maximum length, start with the duct run's total max. length, then subtract all of the ductwork equivalent lengths. (See the chart.)

Duct Type	Max. Duct Run
8-in. Round	60 feet
10-in. Round	50 feet
3 1/4-in x 10-in Rectangular	

Installation Instructions

Planning the Ductwork, cont.

Ductwork Equivalent Lengths

For each new elbow and transition, you must subtract “equivalent lengths” from your total maximum duct run length to compensate for wind resistance.

Piece	Subtract
8" 90° Elbow	7 feet
8" 45° Elbow	3 feet
10" 90° Elbow	5 feet
10" 45° Elbow	2 feet
3" x 10" to Round 90° Transition	25 feet
3 1/4" x 10" to 8"/10" Round Transition	4 feet
Wall Cap w/Damper	Equivalent lengths of roof and wall caps vary with model and configuration.
Roof Cap	

Ductwork Tips

- Try to minimize transitions/turns/sharp angles (e.g., two staggered 45° angles are better than one sharp 90° angle).
- Keep turns as far from the hood exhaust as possible with as much space between bends as possible.
- Use round instead of rectangular ducting, especially when elbows are needed.
- If multiple elbows are used, try to keep at least 24 in. of straight duct between each elbow.
- Avoid using “S” or back-to-back adjacent elbows.
- In extremely cold-weather regions, use thermal breaks (i.e., short sections of non-metallic duct) to avoid indoor heat loss. Put the break as close to the outside pass-through point as possible.
- Do not use flexible metal ducting, or ductwork smaller than what the tables advise.
- The hood exhaust connects to an 8" round duct. You can increase the duct size over the duct run.
- To prevent backdraft, never decrease the duct size over the run. If existing ductwork is under 8" in diameter, replace it with 8" ductwork.
- Join ducting with sheet-metal screws, then seal with certified duct/foil tape. Never join ducting with tape only.
- Support the weight of the ducting with sheet-metal screws as needed.
- To avoid backdraft, a damper at the duct outlet may be required.

WARNING

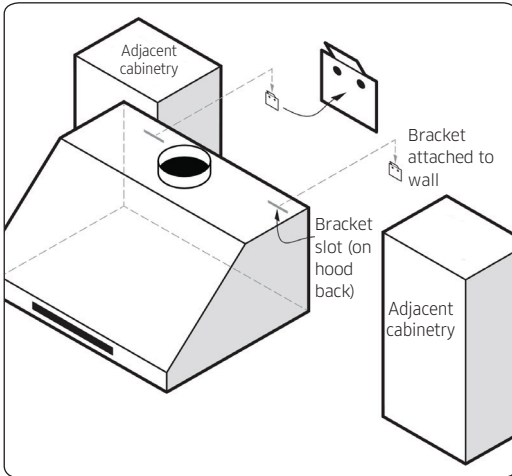
- Electricity to the range hood should be installed only by a licensed electrician.
- Observe all local codes during installation. Consult the local building department as needed.
- Anchor the hood to the wall as instructed to avoid an injury hazard.
- To avoid electric-shock and property damage, do not drill/cut near in-wall plumbing and wiring.
- Use the temporary support brackets only until the hood is permanently anchored.

Installation Instructions

Planning the Mounting Location

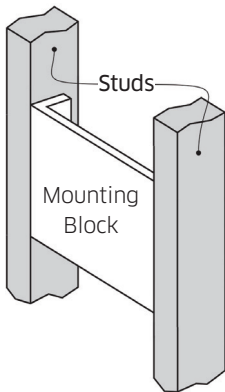
Holding brackets and hardware are provided to support the hood so you can permanently anchor it to the wall.

The illustrations below show the purpose of the holding brackets and the support behind the wall.



- (If mounting the hood to brick or masonry) Select anchors rated for the hood's weight.
- Properly reinforce the mounting surface to support the hood's full weight.

DHD Models	Weight
30	53 lbs (24 kg)
36	57 lbs (26 kg)
48	77 lbs (35 kg)



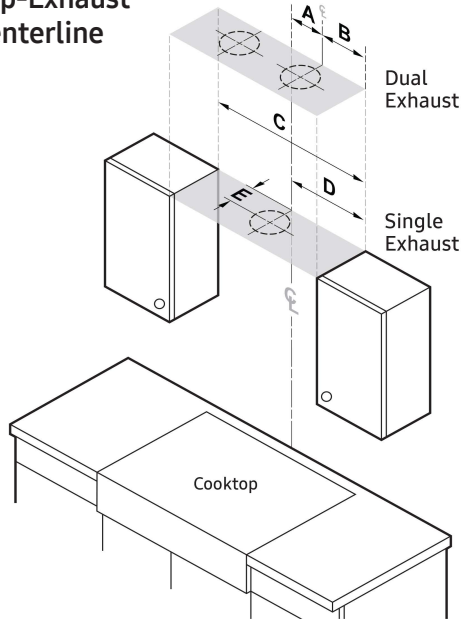
- If mounting the unit to drywall or a plastered surface, install a reinforced mounting block between the studs.
- Attach screws directly to the studs and cabinets if they align with the mounting holes in the hood back/top.

Installation Instructions

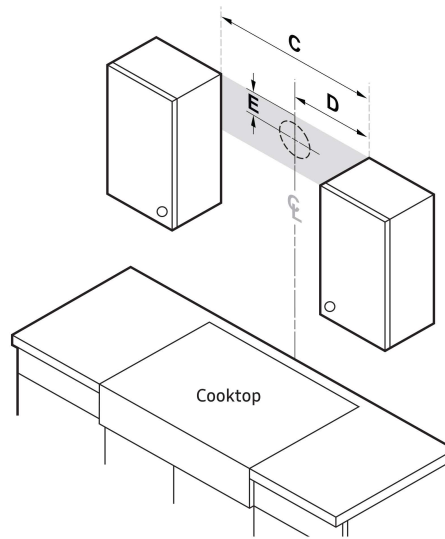
Marking the Exhaust-Duct Centerlines

These measurements/marks help center and level the hood, and mark the duct cutouts. Have a marking tool, tape measure, and level ready.

Top-Exhaust Centerline



Rear-Exhaust Centerline



1. Position the hood as it will be when installed (e.g., for a top-vent installation, set the hood with the vents on top).
2. Measure the distance from the edge of the hood to the center of the exhaust port.
3. Transfer that measurement to the wall (for a rear vent), or overhead (for top vent). Measure the X and Y axes to find the centerline.
4. Extend the line down 10 inches (25.4 cm).
5. Cut a hole 1 inch larger than the duct. (Dual-exhaust models require two holes.)

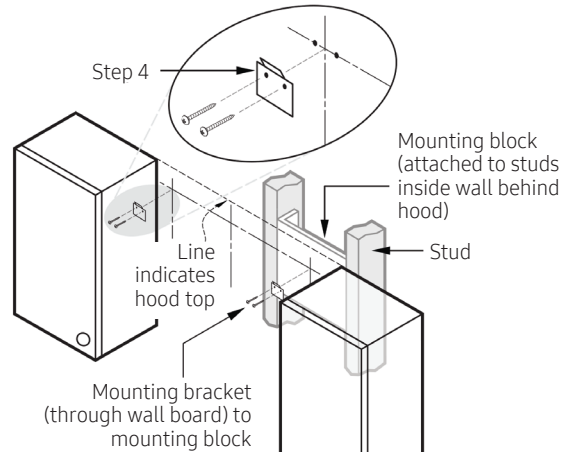
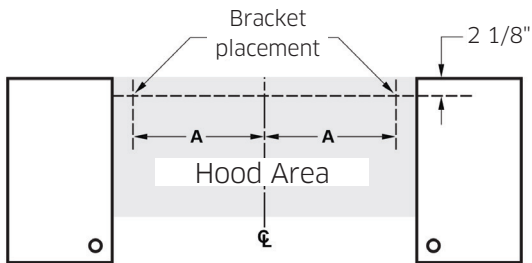
Measurement Location	Measurement: in. (cm)
A	9 7/8 in. (25.08 cm)
B	14 1/8 in. (35.88 cm)
C	48 in. (121.92 cm)
D	24 in. (60.96)
E	5 3/4 in. (14.6 cm)

IMPORTANT: For dual-exhaust, you need to install the AHT10 Dual-to-Single Transition Kit. (See the section Using the Dual-to-Single Transition Kit #AHT10)

Installation Instructions

Installing the Support Brackets

CRITICAL: To avoid alignment issues during final installation, the brackets must not be over/under/off the centerline.



1 Marking the Centerlines and Brackets

2 Attaching the Brackets to the Wall

Holding-Bracket Centerline Distance	
DHD Models	A
30	12 1/2 in (31.8 cm)
36	7 1/8 in (18.1 cm)
48	17 in (43.2 cm)

1. Mark the holding bracket's horizontal centerline 2 1/8" (5.4 cm) below the top of the hood (Image 1). **NOTE:** Minimum distance, bottom of cabinets to cooktop: 30" (76.2 cm).
2. Measure and mark the centerline (Image 1) halfway between the cabinets. (If there are no cabinets above the cooktop, measure and mark the cooktop centerline.)
3. Referring to Image 1 and the above table, measure the "A" distance left and right from the centerline between the cabinets (or the cooktop centerline), and mark the holding brackets' centerlines.
4. Lay the bracket against the wall, and align the screw holes with the horizontal centerline. (Use anchors/screws that can support the hood; be sure to properly reinforce the drywall.)
5. Mark the two holes in the bracket.
6. Drill those two holes for screws and anchors.
7. Attach the brackets securely to the wall.

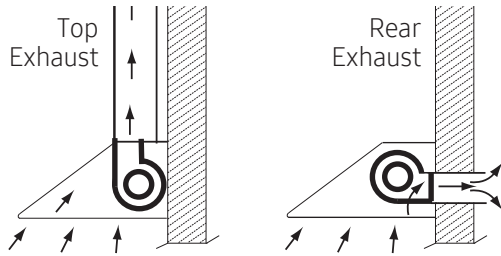
Installation Instructions

Rotating the Blowers for Rear Exhaust

IMPORTANT: Perform this procedure before hang the hood.

⚠ WARNING

- Ensure the electrical service meets the hood's specifications.
- Observe all local codes during installation. Consult the local building department if needed.
- The hood must be installed by a qualified technician with sufficient personnel to assist.
- The owner is ultimately responsible for the hood's proper installation.

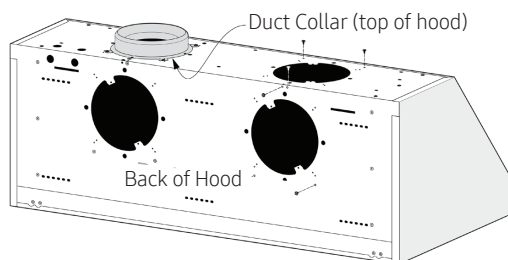
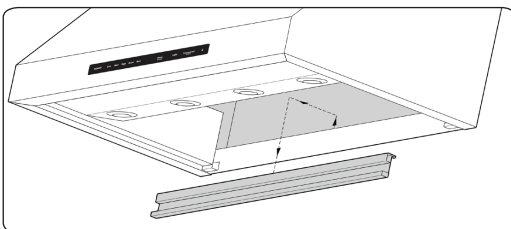


The hood comes from the factory in the top-exhaust configuration (Fig. 1); if you intend to use that configuration, you do not need to alter the blower's position. If, however, the hood will be installed for rear exhaust, the blowers can be rotated so exhaust vents out the back (Fig. 2).

Tools Needed
5/16" nut driver
Cable ties
<ul style="list-style-type: none">• AHT10 Transition kit (option), metal screws, foil tape• 10" ducts, ducting material
8" duct and ducting materials
Phillips screwdriver

NOTE: The hood images in this section were chosen to illustrate procedures and may not depict the hood being installed.

Removing Components

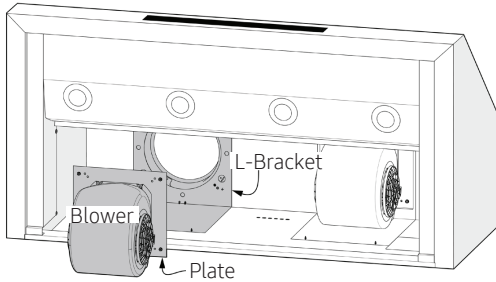


1. Unhook and remove the grease channel.
2. (Taking care not to scratch the hood) Place the hood assembly on a large, flat surface.
3. Remove the duct collar from the hood top. (Save the collar and screws.)

Installation Instructions

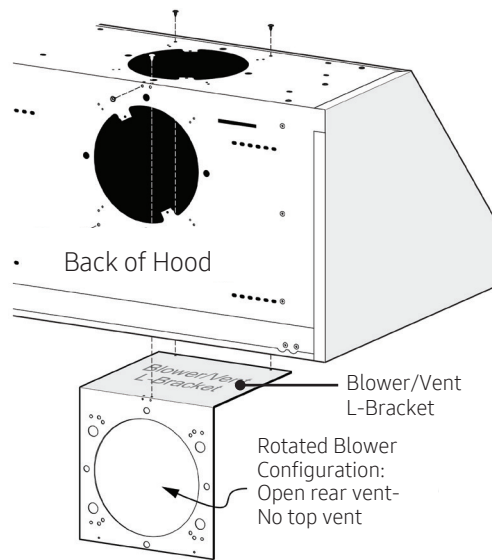
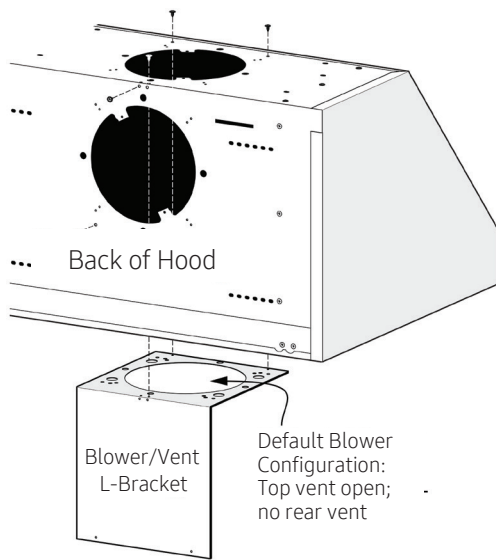
Rotating the Blowers for Rear Exhaust, cont.

Removing Components, cont.



4. Carefully set the hood on its back to access the bottom.
5. Find the end of the cable assembly plugged into the bottom left of the blower, then squeeze and unplug the connector. (To avoid damaging the cable-assembly contacts and wires, always pull by the connector.)
6. Unscrew the cable clamp(s), and remove the hardware that holds the blower and L-bracket.
7. Detach the blower and plate, and set them aside.

Configuring the Vent L-Brackets



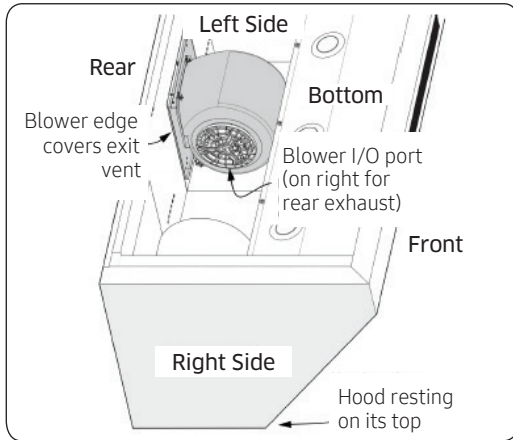
1. Unscrew, and remove the L-bracket that is in the default top-venting configuration (left).
2. Turn and align the L-bracket so the hole is in back of the hood (right).

Installation Instructions

Rotating the Blowers for Rear Exhaust, cont.

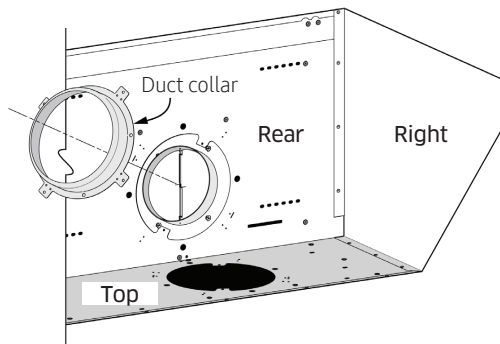
Re-orienting the Blower(s)

The blower(s) must be correctly positioned.



1. Set the hood on its top.
2. Standing at the rear of the hood and looking down at the blower, insert the blower so its I/O port faces right, and its exhaust port is against the L-bracket at the rear of the hood.

Finalizing the Rear-Vent Setup

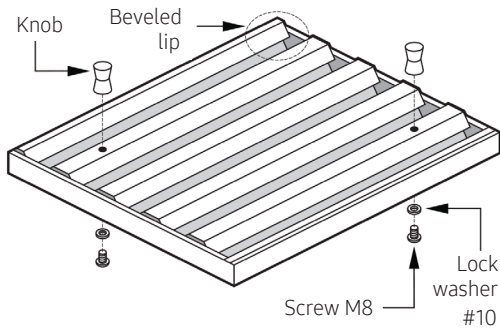


1. Refasten the cable clamps and assembly to the hood.
2. Connect the cable assembly to the blower's I/O port.
3. Attach the duct collars to the back of the hood.
4. Carefully turn the hood upright.

Installation Instructions

Assembling the Filters

Filters are boxed separately with provided hardware and must be assembled during installation.

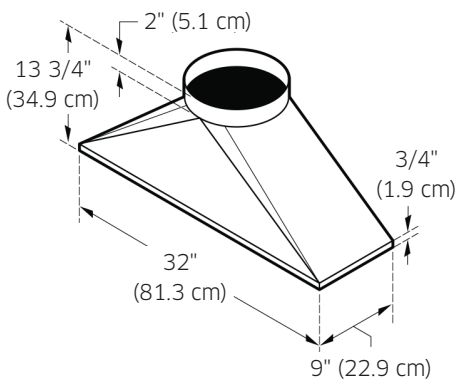


DHD Baffle-Style Filter

1. Remove the plastic coating, and turn the beveled lip upward.
2. Align the screw, lock washer, and knob with the filter. The knob should be on the ridge, and the screw and lock washer in the trough.
3. Twist-tighten the knob onto each washer/screw.
4. Install the filters after hanging the hood.

Replacement Part #	Description
702579	Baffle Filter Kit (1 pc + hardware)
702580	Baffle Filter Kit (2 pc + hardware)

Using the Optional Dual-to-Single Transition Kit #AHT10



On dual-exhaust models, the two 8" duct exhausts can be transitioned into one 10" duct.

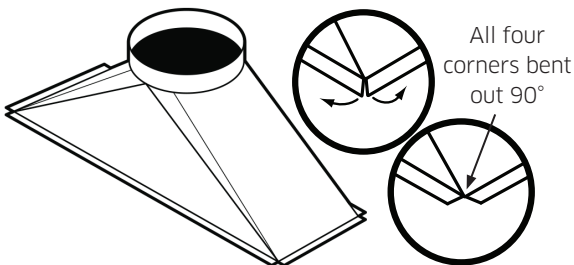
Assemble the Dacor transition kit #AHT10 (sold separately) before you hang the hood. This transition kit fits over the top/rear ventilation exits.

Preparing the AHT10

Create a lip around the transition kit by bending the bottom edges outward at right angles, creating a 3/4" flange around the base.

Bending the Flanges On the Transition Duct

Top/rear vent: Models DHD30/36/48



Installation Instructions

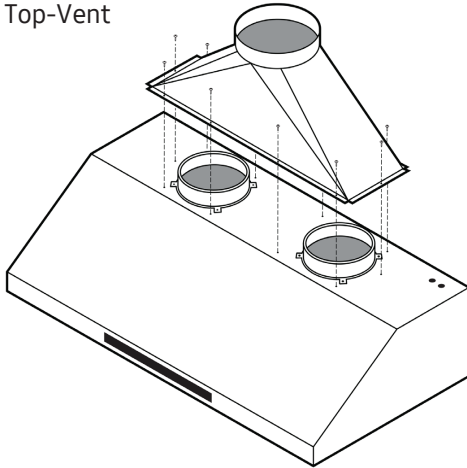
Using the Optional Dual-to-Single Transition Kit #AHT10, cont.

Installing the AHT10 Transition Kit (top-/rear-vent configuration)

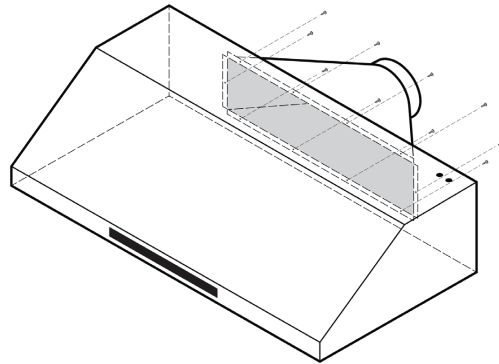
NOTE

The transition kit does not include the sheet-metal screws needed to install the hood.

Top-Vent



Rear-Vent



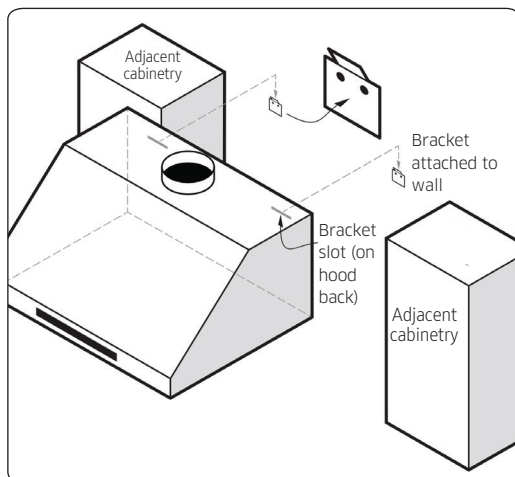
1. Center the transition kit over the duct collars.
2. Drill screwholes in the flanges, being sure to pierce the hood top.
3. With sheet-metal screws, fasten the AHT10 unit to the hood.
4. With foil tape/duct tape, seal the AHT10 unit's base.

Hanging the Hood

WARNING

Hanging the range hood requires two people. Do not lift the hood unassisted.

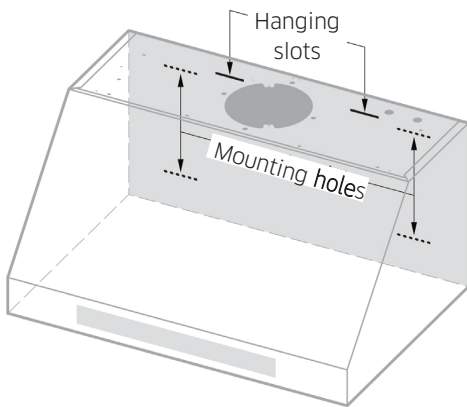
IMPORTANT: Take care not to scratch/damage the hood. Hanging slots in the hood back engage the holding brackets to support the hood temporarily during installation.



1. Remove the plastic film from the hood.
2. Lift, and slip the hood onto the holding brackets through the hanging slots in the hood back.
3. Adjust the hood into its final position.
4. Mark the spot by drawing in a mounting hole in the back of the hood. (This is where a screw will hold the hood to the wall stud or concrete anchor.)

Installation Instructions

Hanging the Hood, cont.



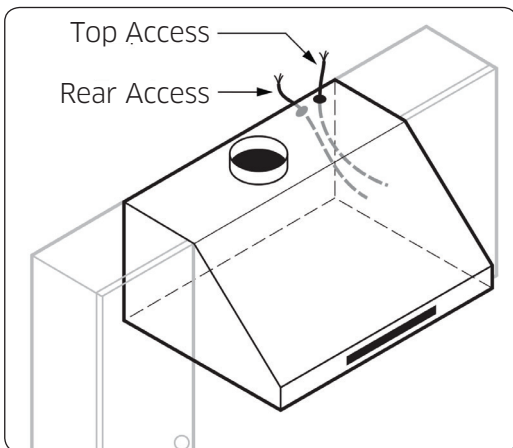
5. (If needed) Mark the top of the hood if the configuration calls for the hood to be secured at the top.
6. Remove the hood from the wall.
7. Drill the pilot or anchor holes. (If using anchors, insert them into the anchor holes.)
8. Reset the hood on the holding brackets.
9. Adjust as needed, then anchor the hood.

Hardwiring the Hood

Power may be supplied to the hood through an electrical junction box or a dedicated 15-Amp. circuit breaker.

⚠ WARNING

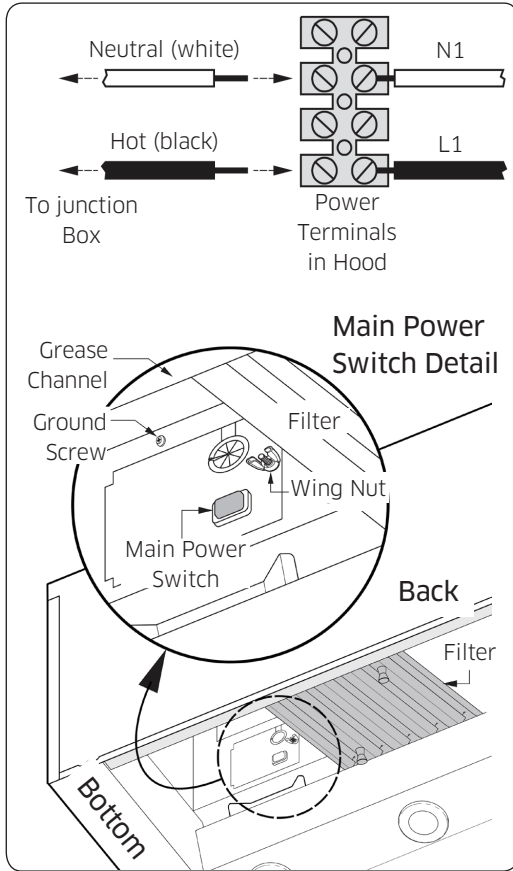
- Before connecting the wiring, turn OFF power to the hood at the fuse box or circuit breaker.
- Miswiring the hood creates an electric shock or fire hazard and may harm its electrical system.
- Do not ground the wires to the neutral (white) wire. Connect the ground wire to a separate, properly grounded wire installed by a licensed electrician.
- Use proper-gauge wiring that meets all codes and can accommodate the total connected loads.



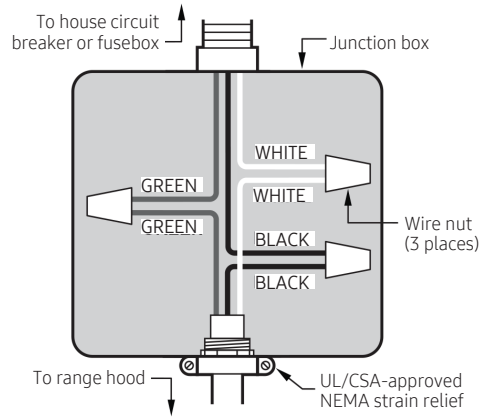
1. Shut power OFF at the circuit breaker or fuse box.
2. Feed the cable assembly through the hood.

Installation Instructions

Hardwiring the Hood, cont.



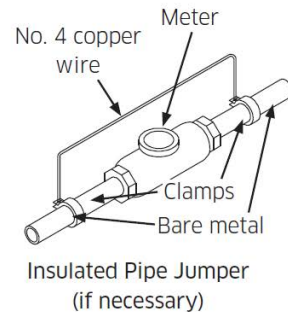
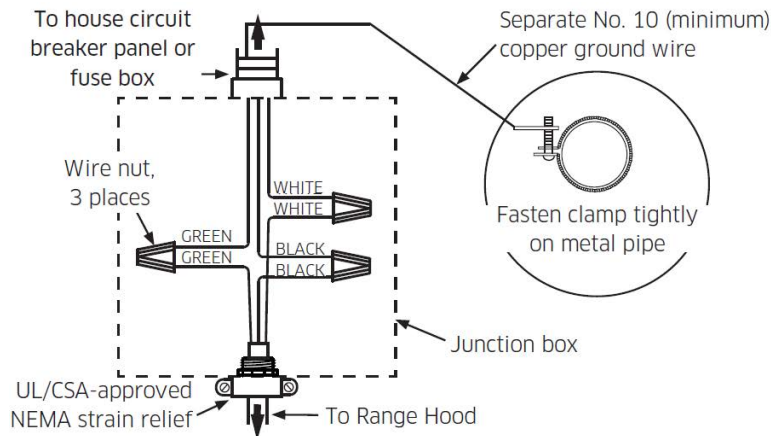
3. With the provided green screw, attach the ground wire to the ground screw (next to the main power switch inside the hood above the filters).
IMPORTANT: Use a #10 O-ring at the end of the ground wire.
4. Remove the wing nut on the main-power-switch plate, then remove the plate to access the terminal block and connect the power wires.
5. Insert the white wire and black wire through the plastic hole protector, and tighten the wires to their corresponding terminals.



6. Connect the hood wiring to an electrical junction box or circuit breaker.

⚠ WARNING

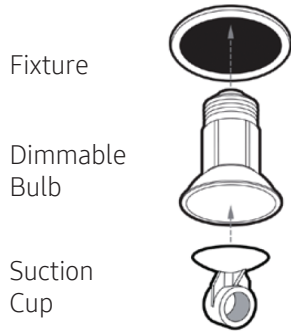
- Do not ground the circuit to a gas line or hot-water pipe.
- Insulated water lines must be jumped to assure continuity to the ground. (See the diagram.)



Installation Instructions

Inserting Light Bulbs

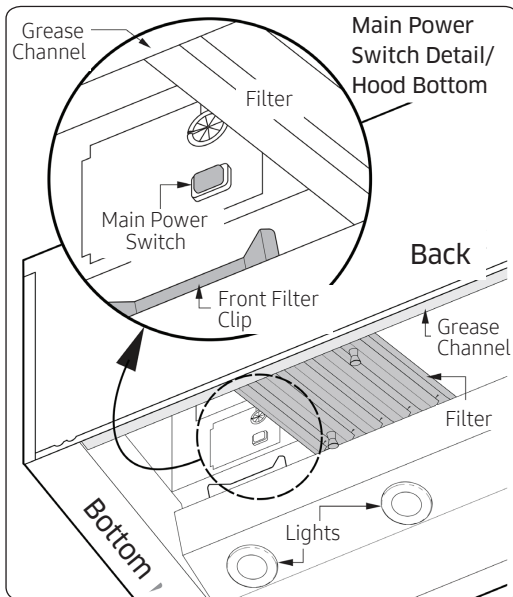
Use only dimmable bulbs. Using non-dimmable bulbs causes damage and faulty operation. If needed, clean the lens surface so the suction cup will stick to it. Perform this procedure for each hood light.



1. (To avoid a possible short and significant property damage) Shut the main circuit breaker OFF.
2. Attach the suction cup to the bulb lens (both supplied; see the graphic).
3. Screw the bulb into the light fixture, and remove the suction cup.
4. Switch the main circuit power ON.

Replacement Part #	Description
702666	Dimmable LED Bulb Replacement Kit (1 bulb + 1 suction-cup tool)

Verifying Proper Function



1. Turn OFF the main power switch.
2. Turn power ON at the circuit-breaker panel or fusebox.
3. Turn ON the main power switch. (The button panel flashes several times during startup.)
4. (Without scratching the grease channel or other surfaces) Insert the filters:
 - a. Set the front edge against the clip, and press.
 - b. Lift the rear edge above the grease channel.
 - c. Set the filter rear edge on the grease channel.
5. On the control panel, press **Lights** to verify that all lights turn on.
6. Press **Lights** to turn the lights to Low, then press again to turn the lights off.
7. Press **POWER** to verify that one fan-speed indicator turns on and the fan is on Low.
8. Press Low/Med/High/Boost to verify that the fan speed increases each time.
9. Press **POWER** to turn the fan OFF.

If the Hood Fails to Function Correctly

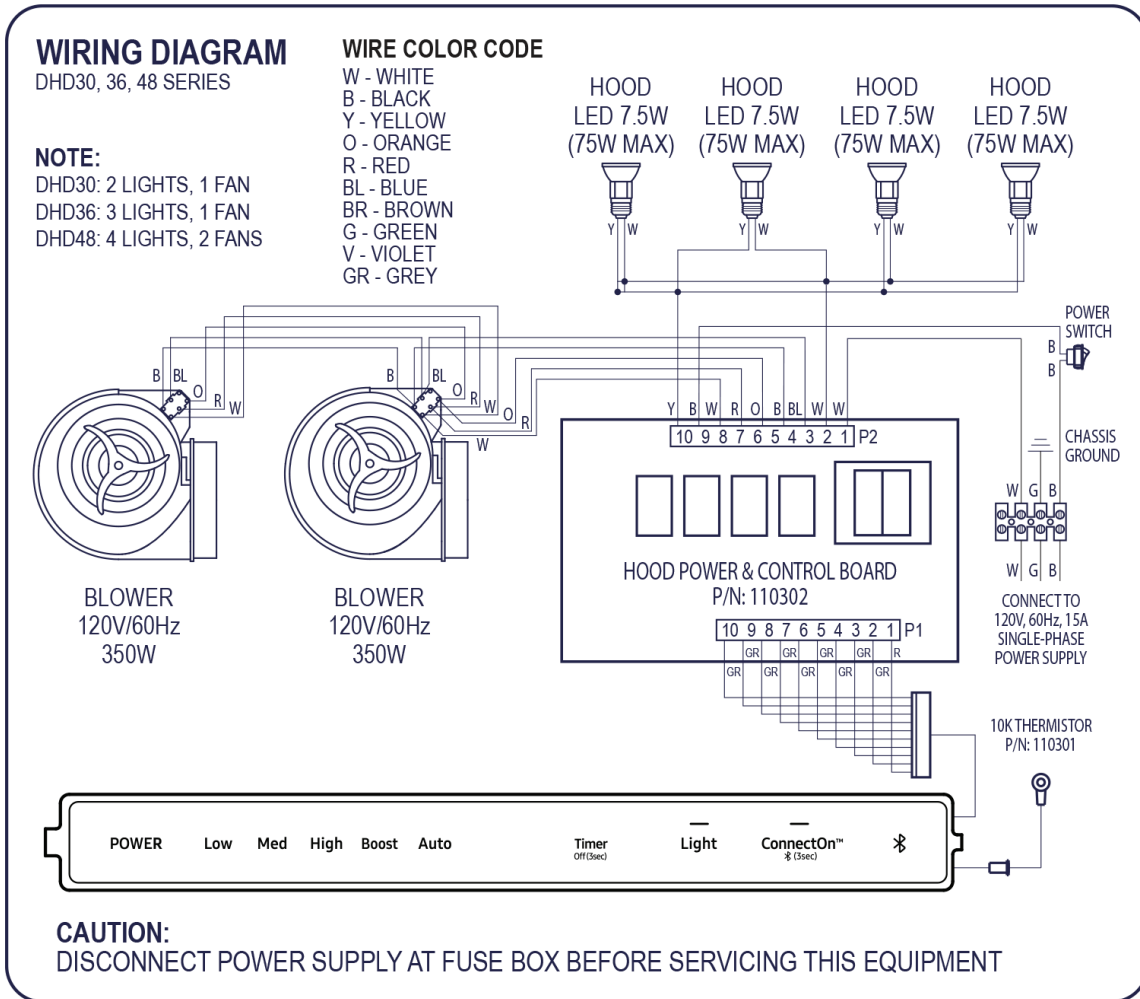
1. Verify that the hood receives power.
2. Remove the right-most filter to access the main power switch, and confirm the hood is ON.
3. Verify that the electrical connections are correct.
4. Re-run **Verifying the Setup**.

If the hood still does not work, contact Dacor Customer Assurance (see Pg. 3). Do not make your own repairs. Dacor will not pay for service needed to correct unauthorized repairs.

Installation Instructions

Wiring Diagram

DHD30/36/48



dacor[®]