



## HERITAGE WINE STATION STAINLESS STEEL

DYWS4



### PRODUCT FEATURES

- Restaurant quality wine preservation fit for use at home
- Easy to use LCD Controls
- Four bottle dispensing system
- CleanPour™ dispensing heads to keep your wine safe from oxidation
- Thermo-Electric cooling system for energy efficiency

### DIMENSIONS & WEIGHT

APPLIANCE DIMENSIONS (H X W X D) (IN.)	25 5/8" X 19 9/16" X 16"
REQUIRED CUTOUT SIZE (H X W X D) (IN.)	26 5/8" MIN X 19 11/16" MIN X 16" MIN
NET WEIGHT (LBS)	80

### GENERAL PROPERTIES

CONTROLS	LCD DISPLAY
MATERIAL	STAINLESS STEEL AND GLASS
SPECIAL MODES	SABBATH MODE

### CAPACITY

TOTAL CAPACITY	4 BOTTLES
----------------	-----------

### PERFORMANCE

THERMOELECTRIC COOLING SYSTEM	YES
-------------------------------	-----

### TECHNICAL DETAILS

CURRENT (A)	10
VOLTS (V)	120
FREQUENCY (HZ)	60
POWER CORD LENGTH (IN.)	74"
PLUG TYPE	120 V, 3 PRONG

### TEMPERATURE RANGES

COOLING	+/- 30°F OF ROOM TEMPERATURE
---------	------------------------------

### WARRANTY

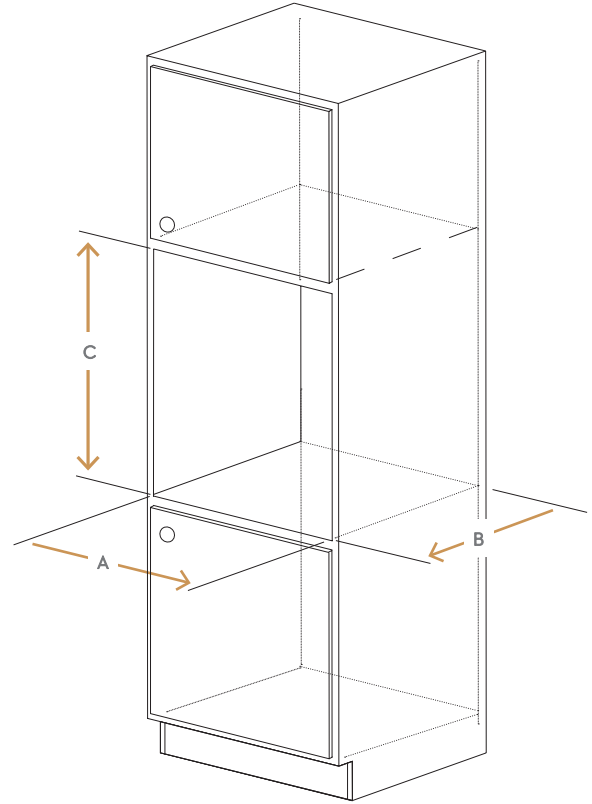
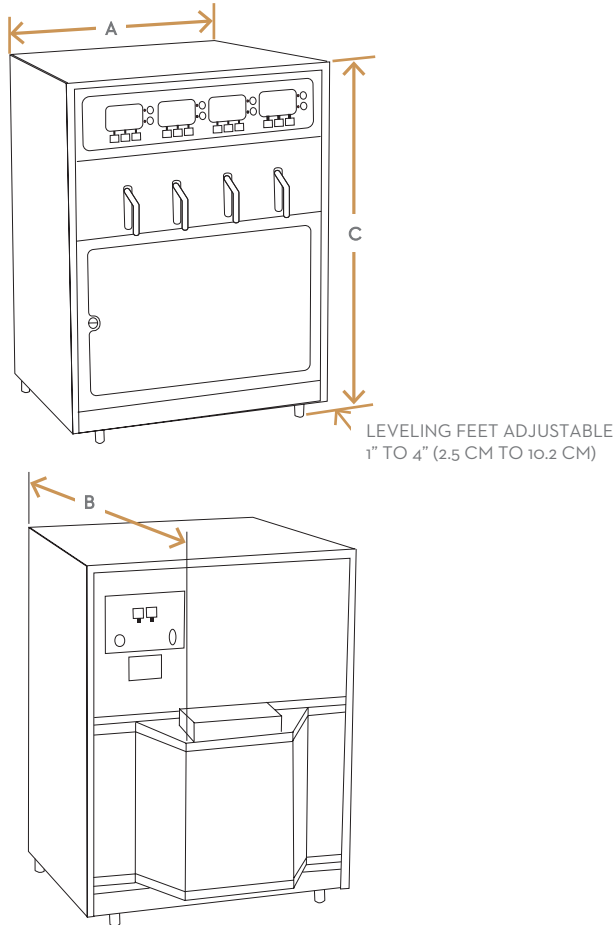
LIMITED, PARTS AND LABOR	1 YEAR
--------------------------	--------

### APPLIANCE DIMENSIONS

A (WIDTH)	19 9/16" (49.7 CM)
B (DEPTH)	16" (40.6 CM)
C (HEIGHT)	25 5/8" to 28 5/8" (65.1 CM to 72.7CM)

### INSTALLATION CUTOUT DIMENSIONS

A (WIDTH)	19 11/16" MINIMUM (50 CM)
B (DEPTH)	16" MINIMUM (40.6 M)
C (HEIGHT)	26 5/8" MINIMUM (67.6 CM)



### ACCESSORIES

ARGON GAS CANISTER	AWSAGC
CLEAN-POUR DISPENSING HEADS - GREEN	AWSCPG
CLEAN-POUR DISPENSING HEAD GASKET - PACK OF 20	AWSCPG20
CLEAN-POUR DISPENSING HEADS - MIXED	AWSCPM
CLEAN-POUR DISPENSING HEADS - RED	AWSCPR
CLEAN-POUR DISPENSING HEADS - WHITE	AWSCPW
DRIP CLOTH	AWSDC
OUTER DRIP TRAY	AWSDT
DUAL ZONE TEMP UPGRADE	AWSDZ
HX REGULATOR	AWSHXR
WINESTATION ACCESSORY - KEYS, SET OF 2	AWSKEYS
PACKAGE OF PICKUP TUBES	AWSPPT
SILICON SPRAY	AWSSS
BOTTLE SIZING TOOL	AWSSZ
WINESTATION TRIM KIT, 24"	AWSTK24