

36-Inch Counter Depth Refrigerator with Dual Reveal™ Door

\$4,199 – \$4,399



DRF36C700SR/DA - Silver Stainless \$4,199
DRF36C700MT/DA - Graphite Stainless \$4,399

Features & Benefits

- Dual Reveal™ door
- FlexZone® convertible compartment
- Dual icemaker with IceBites™ and cubed ice
- Beverage Center with interior water pitcher and water dispenser
- Crisper+ and Flex Crisper
- Triple cooling system with 3 evaporators
- Metal Cooling™ stainless steel back interior
- Hidden LCD display control panel with SmartThings Wi-Fi control
- Dedicated wine rack
- 15-year warranty on digital inverter compressor
- LED lighting
- R600a refrigerant

Controls

CONTROL TYPE	Digital Interior
WI-FI + SMARTTHINGS	Yes
SABBATH MODE	Yes

Features

TOTAL CAPACITY (CU. FT.)	22.8
FLEXZONE® CONVERTIBLE COMPARTMENT	Yes
FLEXZONE® CONVERTIBLE COMPARTMENT TEMPERATURE	-8°F to 39°F
PUSH-TO-OPEN	No
WATER DISPENSER	Interior Left Door Beverage Center

Features	
ICEMAKER	Cubed Ice and IceBites™
IQ REMOTEVIEW™ CAMERA	No
DEODORIZING FILTER	Yes
LED LIGHTING	Yes
INTERIOR MATERIAL	Metal Cooling™ (Stainless Steel Back Wall)
DIGITAL INVERTER COMPRESSOR	Yes
REFRIGERANT	R600a
CRISPER DRAWERS	Flex Crisper, Crisper+
FREEZER DRAWERS	2
DOOR BINS	6 (Refrigerator), 6 (Freezer)
SHELVES	4 (Refrigerator), 4 (Freezer)
DOOR ALARM	Yes

Refrigerator	
REFRIGERATOR CAPACITY (CU. FT.)	14
REFRIGERATOR TEMPERATURE	34°F to 44°F
POWER COOL	Yes
FLEX CRISPER DRAWER	Yes
CRISPER+ DRAWER	Yes

Freezer	
FREEZER CAPACITY (CU. FT.)	8.8
FREEZER TEMPERATURE	-8°F to 5°F
POWER FREEZE	Yes

Weights & Dimensions	
NET WEIGHT (LBS.)	337
SHIPPING WEIGHT (LBS.)	359
PRODUCT DIMENSIONS (W X H X D IN INCHES)	35 7/8 x 71 7/8 x 28 1/2

Technical Details	
ELECTRICAL REQUIREMENT	115 - 120V, 60 Hz, 10A

Warranty	
FULL COVERAGE	2 Years
SEALED SYSTEM, PARTS AND LABOR	6 Years
SEALED SYSTEM, PARTS ONLY	12 Years
COMPRESSOR, PARTS ONLY	15 Years

Accessories (Optional)		
RACOOWFAAAA/DA	Water Filter for Refrigeration	\$99
RACOODFAAAA/DA	Air Filter for Refrigeration DRF/DRR/DRW, Set of 6	\$129

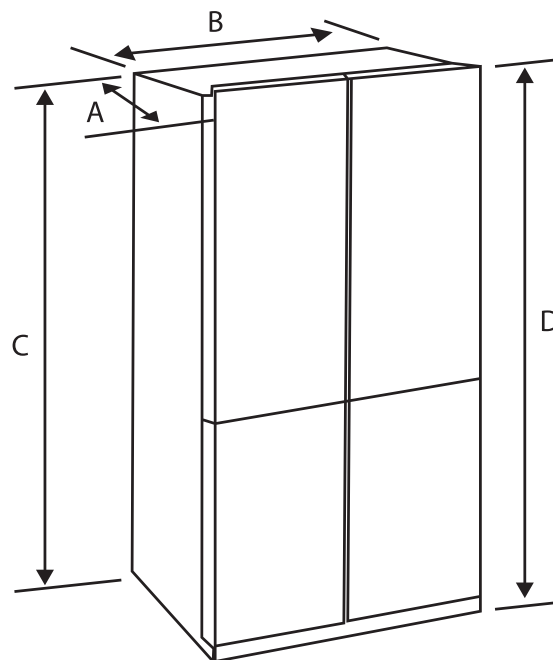
36-Inch Counter Depth Refrigerator with Dual Reveal™ Door

dacor

\$4,199 – \$4,399

Product Dimensions

A - DEPTH (IN/MM)	28 ½ (723 MM)
B - WIDTH (IN/MM)	35 ¾ (912 MM)
C - HEIGHT WITHOUT HINGE (IN/MM)	70 ¾ (1797 MM)
D - OVERALL HEIGHT (IN/MM)	71 ¾ (1825 MM)



Installation Cutout Dimensions

01 - (IN/MM)	More than 2 (50 MM) recommended
02	125°
03 - (IN/MM)	58 (1472 MM)
04 - (IN/MM)	11 ½ (282 MM)
05 - (IN/MM)	24 (610 MM)
06 - (IN/MM)	1 ¾ (47 MM)
07 - (IN/MM)	43 (1093 MM)

