



30-INCH CONVECTION MICROWAVE HOOD

PCOR30S | HERITAGE COLLECTION



AVAILABLE MODELS

PCOR30S 30" Convection Over-the-Range Microwave Hood, Stainless Steel

FEATURES & BENEFITS

- Electronic Touch Control Panel with One line Display Screen displays time, recipes and directions for cooking in your convection microwave.
- Four Way Cooking System gives the user ultimate flexibility: Convection Cooking, Microwave Cooking, Combo Speed Cooking— Meats and Combo Speed Cooking—Baked Goods.
- Microwave Modes: Sensor Reheat, Popcorn, Easy Minute and Auto Defrost; Sensor Cooking - eight different cooking categories - automatically detects when your food is perfectly cooked.
- Convection Modes: Convection, Preheat, Low Mix Bake, High Mix Roast, Broil and Slow Cook Mode. |Three Convection Auto Modes: Auto Broil; Auto Roast; Auto Bake
- Mix / Speed Cook Modes: Low Mix/Bake uses 350° of convection heat and 10% microwave power to bake foods quickly but also brown them; High Mix/Roast uses 300° of convection heat and 30% microwave power to roast meats perfectly giving you seared and juicy meat every time.
- Help Guide—useful instructions for using functions of unit.
- Timer and Clock.
- Light (to illuminate the cooking surface below)
- Keep Warm Mode
- Turntable on/off button
- Fan - Hi/Low settings.

GENERAL PROPERTIES

FINISH	STAINLESS STEEL
--------	-----------------

BASIC DETAILS

WATTS	850
CAPACITY	1.1 CUBIC FT
RACKS	MULTIPLE
TURNTABLE	13"
INTERIOR	STAINLESS STEEL
VENTILATION SYSTEM	300 CFM. 2 SPEED EXHAUST FANS ALLOW YOU TO REMOVE SMOKE AND ODORS. TWO REMOVABLE MESH FILTERS ARE DISHWASHER SAFE.
VENTILATION SYSTEM DUCTING	VENTED TO THE OUTSIDE OR RECIRCULATED WITH A FILTER (INCLUDED). 3 1/4"X10" VERTICAL OR HORIZONTAL EXHAUST
HEAT DEFLECTOR	DEFLECTS HEAT AND MOISTURE FROM THE CONTROL PANEL. SHIPS IN BOX UNINSTALLED, INSTALLATION RECOMMENDED

TECHNICAL INFORMATION

CIRCUIT REQUIRED	120VAC/60HZ/15 AMP (BREAKER)
TOTAL CONNECTED LOAD	1.56KW (13AMP)
UTILITY LOCATIONS	LOWER RIGHT HAND CORNER OF CABINET ABOVE MICROWAVE
ELECTRICAL CONNECTION	48" LONG POWER CORD WITH 3-PRONG GROUNDED PLUG
SHIPPING WEIGHT	84 LBS

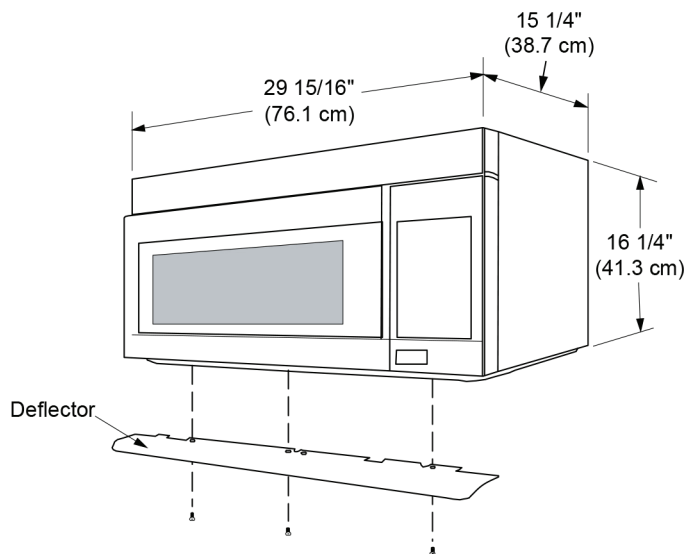
PRODUCT DIMENSIONS

APPLIANCE DIMENSIONS (H X W X D) (IN.)	16 1/4" X 29 15/16" X 15 1/4"
CUT OUT DIMENSIONS (H X W X D) (IN.)	SEE DRAWINGS ON NEXT PAGE

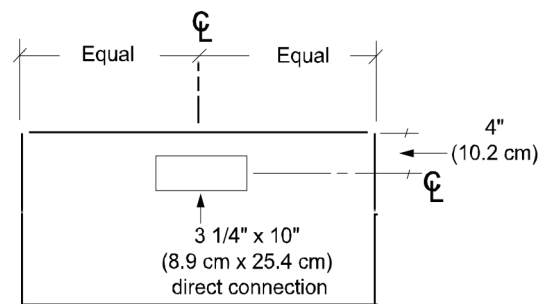
dacor 30" CONVECTION MICROWAVE HOOD

OVERALL PRODUCT DIMENSIONS

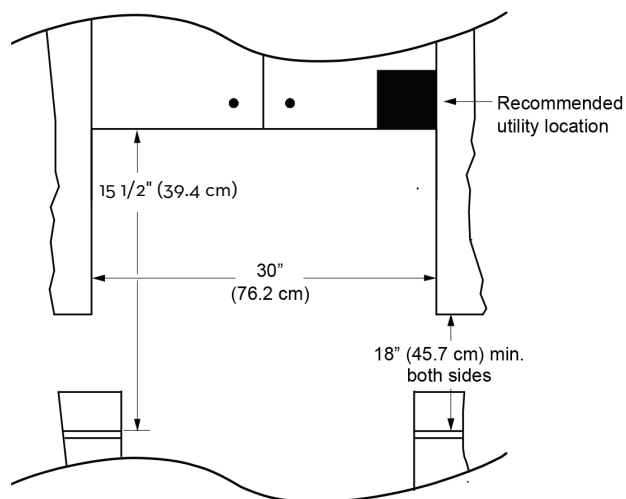
30"



MICROWAVE TOP DIMENSIONS - EXHAUST LOCATION



CABINET INSTALLATION DIMENSIONS (DIMENSIONS AT RIGHT)



UPPER CABINET DIMENSIONS (UPPER CABINETS 13" MAXIMUM DEPTH) DIMENSIONS FROM TOP OF PCOR TO FINISHED COUNTERTOP

34" MINIMUM WITH DEFLECTOR OVER A MAXIMUM COOKTOP SURFACE WITH A BTU RATING OF 44,000 BTU'S.

36" MINIMUM WITHOUT DEFLECTOR OVER A MAXIMUM COOKTOP SURFACE WITH A BTU RATING OF 44,000 BTU'S.

36" MINIMUM WITH DEFLECTOR OVER A MAXIMUM COOKTOP SURFACE WITH A BTU RATING OF 60,000 BTU'S.

* ALL SPECIFICATIONS AND INFORMATION SUBJECT TO CHANGE. PLEASE VISIT WWW.DACOR.COM FOR THE MOST CURRENT PRODUCT DETAILS AND INSTALL INFORMATION