



## 30-INCH SINGLE WALL OVEN

HWO130 | PROFESSIONAL STYLE



### AVAILABLE MODELS

HWO130PS	30" Single Wall Oven - Stainless Steel with Pro Style Handle
HWO130FS	30" Single Wall Oven - Stainless Steel with Flush Handle
HWO130PC	30" Single Wall Oven - DacorMatch Color System with Pro Style Handle
HWO130FC	Heritage 30" Single Wall Oven - DacorMatch Color System with Flush Handle

### FEATURES & BENEFITS

- Four-Part Pure Convection System provides superior heat distribution, and eliminates flavor transfer.
- RapidHeat™ Broil Element uses an 8-pass radiant ribbon element to broil food quickly and evenly.
- 4.8 cu. ft. oven capacity.
- 7 rack positions for multi-rack cooking.
- SoftShut™ doors.
- GlideRacks
- Self-Cleaning mode.
- Sabbath mode.

### ACCESSORIES (INCLUDED)

GLIDERACK™	2
STANDARD RACK	1
TEMPERATURE PROBE	1

### ACCESSORIES (OPTIONAL)

COOKIE SHEETS (SET OF 3)	ACSRO303
BROIL-ROASTING PAN SET	AORPVR
EPICURE HANDLE SET, 30"	AHHES30

### GENERAL PROPERTIES

COOKING MODES	PURE CONVECTION™ CONVECTION BAKE CONVECTION BROIL CONVECTION ROAST BAKE BROIL
---------------	--

### ADDITIONAL FEATURES

CLEANING TYPE	SELF CLEAN & GREENCLEAN™
RACK POSITIONS	7
CONVECTION TYPE	PURE CONVECTION™
LIGHTING	HALOGEN

### OVEN PERFORMANCE

BAKE ELEMENT	3,000W - 8 PASS
BROIL ELEMENT	3,500W - 8 PASS
CONVECTION ELEMENT	2,200W

### CONTROL FEATURES

DELAY TIME COOKING	YES
TIMED COOKING	YES
AUTOMATIC HOLD	YES
10-KEY PAD	YES
CLOCK	YES
TWO TIMERS	YES
SABBATH MODE	YES
CHILD LOCK	YES

### ADDITIONAL MODES

KEEP WARM	YES
PROOF	YES
DEHYDRATE	YES
TEMPERATURE PROBE	YES

### TECHNICAL DETAILS

CIRCUIT BREAKER (A)	30
VOLTS (V)	240
FREQUENCY (HZ)	60
ENERGY SOURCE	ELECTRIC

### DIMENSIONS & WEIGHT

APPLIANCE DIMENSIONS (W X H X D) (IN.)	29 7/8" X 27 3/4" X 25 1/4"
REQUIRED CUTOUT SIZE (W X H X D) (IN.)	28 5/8" MIN X 27" MIN X 24" MIN
OVEN CAPACITY (CUBIC FEET)	4.8

### WARRANTY

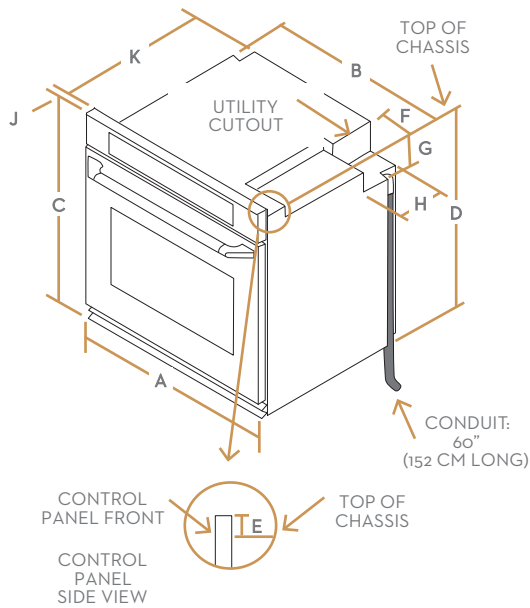
LIMITED, PARTS AND LABOR	1 YEAR
--------------------------	--------

# dacor

## 30-INCH SINGLE WALL OVEN

### APPLIANCE DIMENSIONS

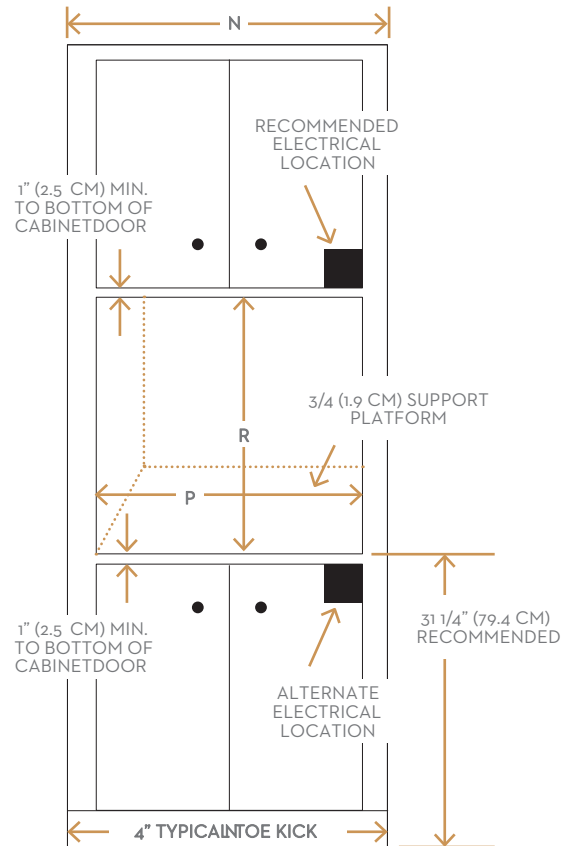
30"		
A	29 7/8" (75.9 CM)	WIDTH (FACE)
B	28 1/2" (72.4 CM)	WIDTH (CHASSIS)
C	27 3/4" (70.5 CM)	HEIGHT (OVERALL)
D	26 5/8" (67.6 CM)	HEIGHT (CHASSIS)
E	1 1/8" (2.9 CM)	TOP OF CHASSIS TO TOP OF CONTROL PANEL
F	6 1/2" (16.5 CM)	UTILITY CUTOUT (WIDTH)
G	5" (12.7 CM)	UTILITY CUTOUT (HEIGHT)
H	7 7/8" (20.0 CM)	UTILITY CUTOUT (DEPTH)
J	1 1/4" (3.2 CM)	CONTROL PANEL (DEPTH)
K	24" (61.0 CM)	DEPTH (CHASSIS)



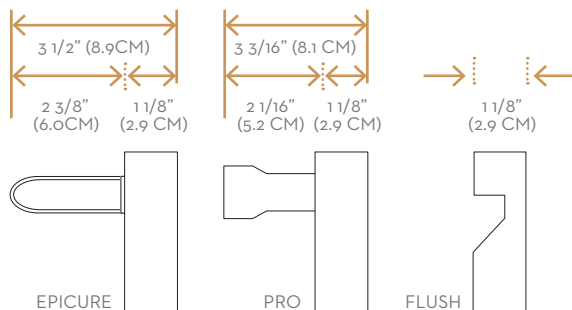
### INSTALLATION CUTOUT DIMENSIONS

CABINET	INSTALL DIMENSION
N	30" (76.2 CM) MINIMUM
P	MIN. 28 5/8" (72.7 CM) RECOMMENDED MAX. 29 1/8" (74.0 CM)
R	MIN. 27" (68.6 CM)

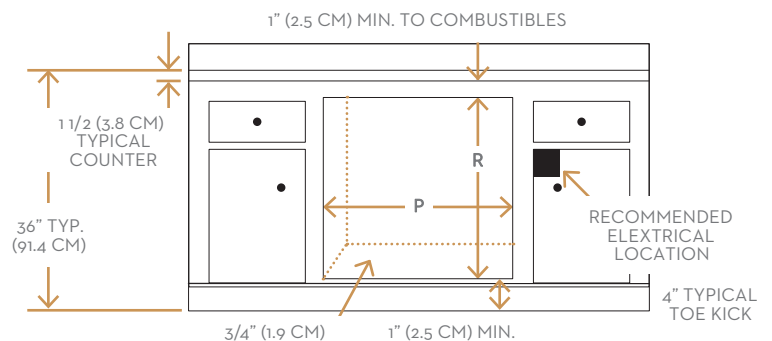
### WALL CABINET



### HANDLE DIMENSIONS



### UNDERCOUNTER



All tolerances: +/- 1/16 (+/-1.6MM) unless otherwise stated.