



Installation Instructions

Heritage Rangetop

H RTP366, H RTP486

THIS APPLIANCE HAS BEEN TESTED IN ACCORDANCE WITH THE LATEST EDITION OF ANSI Z21.1 STANDARD FOR HOUSEHOLD GAS APPLIANCES.

Table of Contents

Important Safety Instructions	1	Installation Instructions	8
Important Information About Safety Instructions	1	Rangetop Installation	8
General Safety Precautions	2	Gas Line Connection	9
Installation Requirements	3	Burner Component Installation	10
Electrical Requirements	3	Burner Knob Installation.....	11
Gas Supply Requirements	3	Verifying Proper Operation.....	12
Product Dimensions	3	Installation Checklist	13
Cabinet and Countertop Layout.....	4	Wiring Diagram	14
Cabinet/Cutout Dimensions	5	Notes	15

Before You Begin...

Important:

- **Installer:** In the interest of safety and to minimize problems, read these installation instructions completely and carefully before you begin the installation process. Leave these installation instructions with the appliance.
- **Customer:** Keep these installation instructions for future reference and the local building inspector's use.

Customer Service Information

If You Need Help...

If you have installation issues or repair/operation/warranty questions, contact Dacor Customer Assurance. Before calling, have available the rangetop model and serial numbers, which are on the data label on the chassis bottom.

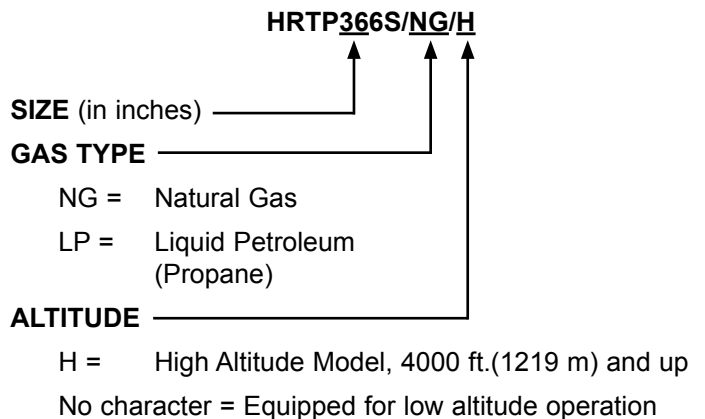
Dacor Customer Assurance

Phone: 833-35-ELITE (833-353-5483 USA, Canada)
Mon – Fri 5:00 A.M. to 5:00 P.M. Pacific Time
Website: www.dacor.com/customer-care/contact-us

Product Data Label

- The product data label contains the model and serial number information and the electrical and gas supply requirements.
- It is attached to the bottom of the chassis.

Model Identification



CALIFORNIA PROPOSITION 65 WARNING

The burning of gas cooking fuel generates some by-products that are on the list of substances which are known by the State of California to cause cancer or reproductive harm. California law requires businesses to warn customers of potential exposure to such substances. To minimize exposure to these substances, always operate this unit according to the use and care manual, ensuring you provide good ventilation when cooking with gas.

All specifications are subject to change without notice. Dacor assumes no liability for changes to specifications.

Important Safety Instructions

Important Information About Safety Instructions

- The **Important Safety Instructions** and warnings in this manual are not meant to cover all possible problems and conditions that can occur. Use common sense and caution when installing, maintaining or operating this or any other appliance.
- Always contact Dacor Customer Assurance with issues and conditions you cannot resolve. See **If You Need Help...** (previous page).

Safety Symbols and Labels

DANGER

Immediate hazards that **WILL** result in severe personal injury or death.

WARNING

Hazards or unsafe practices that **COULD** result in severe personal injury or death.

CAUTION

Hazards or unsafe practices that **COULD** result in minor personal injury or property damage.

WARNING

TO REDUCE THE RISK OF INJURY TO PERSONS IN THE EVENT OF A RANGE TOP GREASE FIRE:

- a. **SMOTHER FLAMES** with a close-fitting lid, cookie sheet or metal tray, then turn off the burner. **BE CAREFUL TO PREVENT BURNS.** If the flames do not go out immediately, **EVACUATE AND CALL THE FIRE DEPARTMENT.**
- b. **NEVER PICK UP A FLAMING PAN** - you may be burned.
- c. **DO NOT USE WATER**, including wet dish cloths or towels - a violent steam explosion may result.
- d. Use a fire extinguisher **ONLY** if:
 - ◇ You have a Class ABC extinguisher, and you already know how to operate it.
 - ◇ The fire is small and contained in the area where it started.
 - ◇ The fire department is being called.
 - ◇ You can fight the fire with your back to an exit.

WARNING

If the information in this manual is not followed exactly, a fire or explosion may result causing property damage, personal injury or death.

- **Do not store or use gasoline or other flammable vapors and liquids in the vicinity of this or any other appliance.**
- **WHAT TO DO IF YOU SMELL GAS**
 - **Do not try to light any appliance.**
 - **Do not use any phone in your building.**
 - **Immediately call your gas supplier from a neighbor's phone. Follow the gas supplier's instructions.**
 - **If you cannot reach your gas supplier, call the fire department.**
- **Installation and service must be performed by a qualified installer, service agency or the gas supplier.**

WARNING

WARNING – NEVER use this appliance as a space heater to heat or warm the room. Doing so may result in carbon monoxide poisoning and overheating of the appliance.

WARNING

WARNING – NEVER cover any slots, holes or passages on the rangetop or rangetop chassis. Doing so blocks air flow through the rangetop and may cause carbon monoxide poisoning. Aluminum foil linings may also trap heat, causing a fire hazard. Keep all slots, holes and passages clear of grease and grime.

READ AND SAVE THESE INSTRUCTIONS

Important Safety Instructions

General Safety Precautions

To reduce the risk of fire, electric shock, serious injury or death when using your appliance, follow basic safety precautions, including the following:

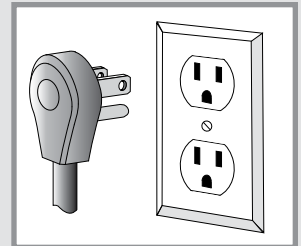
WARNING

- Read the accompanying use and care manual completely before operating this appliance.
- Keep packaging materials away from children. Plastic sheets and bags can cause suffocation.
- If you receive a damaged product, immediately contact your dealer or builder. Do not install or use a damaged appliance.
- This rangetop must be properly installed and grounded by a qualified installer according to these installation instructions prior to use. The installer should show the customer the location of the gas shut off valve and the electrical outlet so that they know where and how to turn off the gas supply and disconnect power to the rangetop. Proper installation is the responsibility of the customer.
- This appliance is not designed for installation in a mobile home or recreational vehicle.
- Installations with less than 2 1/2" (6.4 cm) from the rear of the rangetop to a combustible material must use a non-combustible material. See the latest version of ANSI Z223.1.
- Do not use this appliance in combination with a surface (countertop) ventilation system, air curtain or other type of range hood that directs airflow in a downward direction.
- Do not install, repair or replace any part of the rangetop unless specifically recommended in the literature accompanying it. A qualified service technician should perform all other service. Do not tamper with the controls. Do not operate the rangetop without the knobs and trim rings in place.
- Before cleaning, servicing or installing this rangetop, make sure that the gas supply is turned off at the gas supply valve and that the power plug is disconnected from the electrical outlet.
- Do not connect this rangetop to the gas supply without the supplied gas pressure regulator installed.
- Clean this appliance only in the manner specified in the use and care manual.
- Only use the rangetop for cooking tasks expected of a home appliance as outlined in the literature accompanying it. This rangetop is not intended for commercial or laboratory use.

WARNING

- DO NOT TOUCH THE SURFACES OF THE Rangetop OR THE SURROUNDING AREAS DURING OR IMMEDIATELY AFTER USE.
- Do not climb on any part of the appliance.
- To avoid a fire hazard, do not hang flammable or heat sensitive objects over the rangetop.
- Do not leave children alone or unattended in the area around the rangetop. Do not allow children to play with the controls or touch other parts of the rangetop. Do not store items of interest to children on top of or above the rangetop. Children could be burned or injured while climbing on the appliance.
- Clean the rangetop thoroughly before operating it for the first time. Make sure that all the rangetop parts are dry before lighting a burner.
- Keep flammable items, such as paper, cardboard, plastic and cloth away from the burners and other hot surfaces. Do not place such items on the rangetop. Do not allow pot holders to touch hot surfaces or gas burners.
- Do not wear loose or hanging apparel while using the rangetop. Do not allow clothing to come into contact with the rangetop and surrounding areas during and immediately after use. Do not use towels or bulky cloth as pot holders.
- If the rangetop is near a window, do not use long curtains as window treatment. The curtains could blow over the rangetop and create a fire hazard.

IMPORTANT - This appliance is equipped with a three prong grounding plug for your protection against possible electric shock hazards. Plug it only into a dedicated, grounded three prong electrical outlet. It is the responsibility of the customer to make sure the proper type of outlet is installed. **Do not under any circumstances:**



- Cut or remove the third (ground) prong from the power cord.
- Use an adapter plug.
- Use an extension cord.
- Use a power cord that is frayed or damaged.
- Connect to an electrical outlet with a ground fault interrupter (GFI).

Installation Requirements

⚠ WARNING

- The installation of this appliance must conform with local codes or, in the absence of local codes, with the National Fuel Gas Code, ANSI Z223.1/NFPA 54.
- To prevent an electric shock hazard, the power supply must meet the specifications stated below.

The electrical and gas supply data on this page is for reference only. If the requirements below do not agree with the product data label, use the data on the product data label.

Electrical Requirements

- The appliance installation must be electrically grounded in accordance with local codes or, in the absence of local codes, with the National Electrical Code, ANSI/NFPA 70.
- The correct voltage, frequency and amperage must be supplied to the electrical outlet according to the product data label located on the bottom of the chassis.
- The electrical outlet must be installed by a licensed electrician in an accessible location so that the power cord may easily be disconnected during cleaning and service.

ELECTRIC CIRCUIT REQUIREMENTS	
Circuit Required	Total Connected Load
120 Vac 60 Hz, 15 Amp. (3 wire)	0.25 Amp @ 120 Vac, 60 Hz

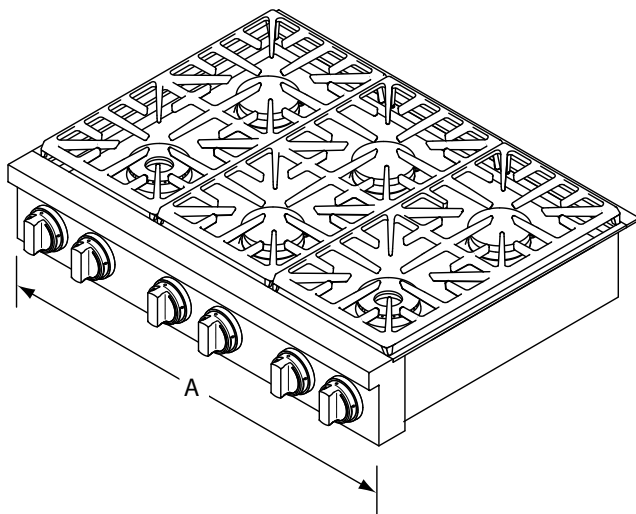
Gas Supply Requirements

- Check your local building codes for the proper method of installation. In the absence of local codes, this appliance should be installed in accordance with the National Fuel Gas Code ANSI Z223.1/NFPA 54. The gas service must be installed by a qualified professional.
- Be certain that the rangetop being installed is correct for the gas service being provided (natural gas or LP gas). Also, if operating the rangetop at an altitude above 4000 ft. (1219 m) make sure it is equipped for high altitude operation. See the inside cover for more information.
- An external manual shut-off valve must be installed between the gas inlet and the rangetop for the purpose of turning on or shutting off gas to the appliance.
- The factory provided regulator shipped with the appliance must be installed in the gas line that runs from the gas shut off valve to the rangetop gas inlet. Use only the regulator provided. The regulator inlet accommodates a 3/4" gas supply line and is also compatible with a 1/2" house gas supply. The inlet to the rangetop itself is equipped with a 3/4" male NPT fitting.

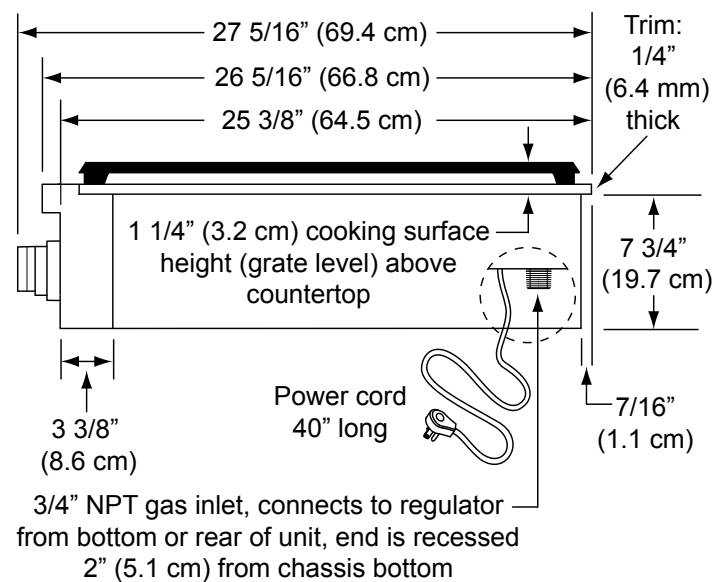
GAS SUPPLY PRESSURE REQUIREMENTS*		
Gas Type	Manifold Pressure	Minimum Gas Supply Pressure
Natural Gas	5" Water Column	6" Water Column
Propane (LP)	10" Water Column	11" Water Column

* Maximum gas supply pressure for all models is 1/2 psi

Product Dimensions



WIDTH (A)	
HRTP366	35 7/8" (91.1 cm)
HRTP486	47 7/8" (121.6 cm)



SIDE VIEW

Product tolerances: $\pm 1/16$ " (± 1.6 mm) unless otherwise noted.

Installation Requirements

Cabinet and Countertop Layout

WARNING

To avoid the risk of fire or personal injury, all minimum and maximum specified clearances on this and the following pages must be maintained or exceeded.

General Considerations

- The minimum distance from the back of the rangetop to a combustible rear wall is 2 1/2" (6.4 cm) minimum (Figure 1).
- Installation of a non-combustible material (up to the hood) or a backsplash is always recommended, and mandatory if the distance to the back wall from the rangetop is less than 2 1/2" (Figure 2). Consult local codes and ordinances for acceptable non-combustible materials.

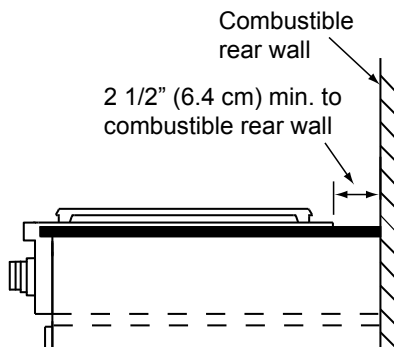


FIGURE 1

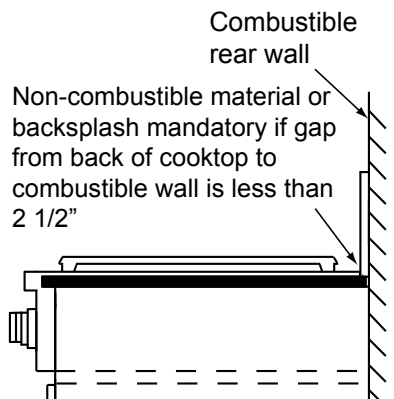


FIGURE 2

- Carefully check the location where the rangetop is to be installed. For best performance, the rangetop should be installed away from drafts caused by doors, windows and heating and air conditioning outlets. To reduce the risk of personal injury from reaching over a hot appliance, avoid cabinet installations directly above.
- All contact surfaces between the rangetop and the counter must be solid and level.

- To reduce the risk of personal injury and to reduce accumulated smoke in the room, Dacor strongly recommends installing a range hood or downdraft vent. A hood should project horizontally a minimum of five (5) inches beyond the face of the cabinets.
- The installation must allow access to the underside of the rangetop for service and inspection purposes, including the ability to turn off the rangetop gas supply valve and electrical outlet.
- The countertop overhang on the sides of the cutout shown on the following pages covers the recessed portions of the rangetop behind the control panel and creates a seamless look for the installation.
- **IMPORTANT:** When installing the rangetop into a laminated or synthetic countertop, radius the corners of the cutout to help avoid cracking. Consult the countertop manufacturer's instructions for minimum corner radius, reinforcement and heat protection requirements.
- For installations with a downdraft vent, install this appliance only with the approved Dacor downdraft vent models listed on page 6.

Gas and Electric Service Location

- A manual gas shut-off valve must be installed in an accessible location in the gas line external to the appliance for the purpose of turning on or shutting off gas to the appliance.
- The gas supply piping, gas shut-off valve and the electrical outlet must be located so they do not interfere with the rangetop when it is installed. If installing another appliance in the cabinet below, allow for the routing of gas and electrical service out the back of the unit.
- The shaded area on the facing page shows the recommended location of the gas inlet and the electrical outlet. For replacement purposes, the location of the existing utilities may be utilized provided they do not interfere with the sides or rear of the rangetop. Check local building codes for permissible utility locations.
- For best performance and to minimize gas pressure loss, attach the gas supply regulator as close as possible to the rangetop gas inlet.

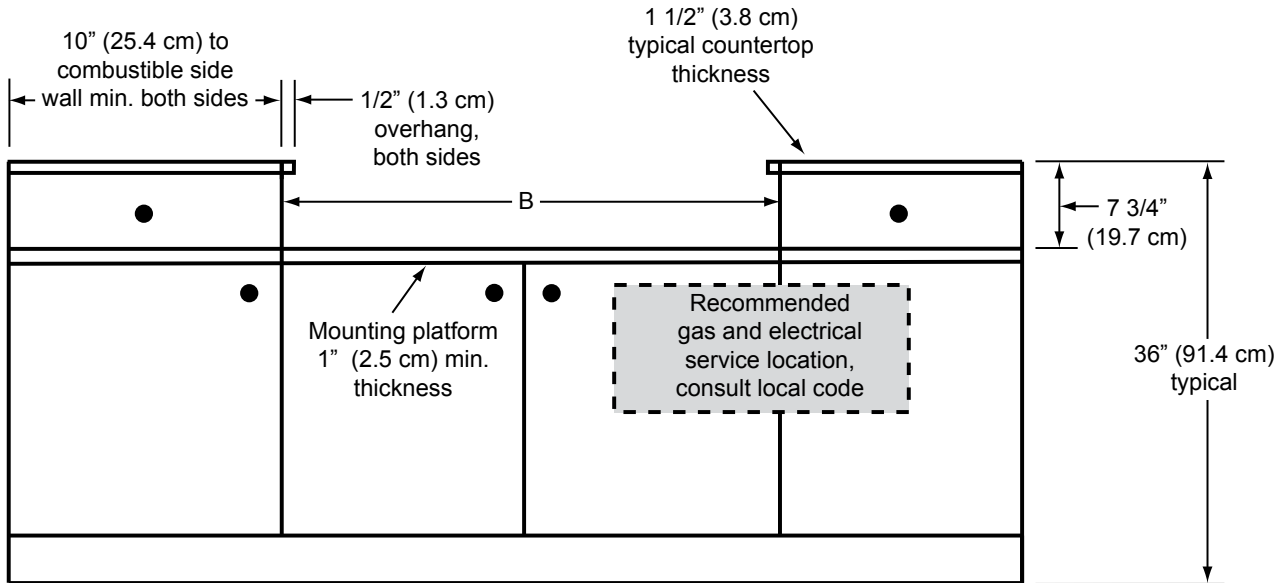
The installation must:

- Allow for access to the gas shut-off valve and regulator when the unit is installed.
- Allow for access to the electrical outlet, when the rangetop is in place so that the power cord may be easily disconnected if the unit needs service.
- Allow for connection of the (40") power cord to the electrical outlet.
- If a downdraft vent is to be installed, allow for access to the gas supply valve and electrical outlet when the downdraft vent is in place.

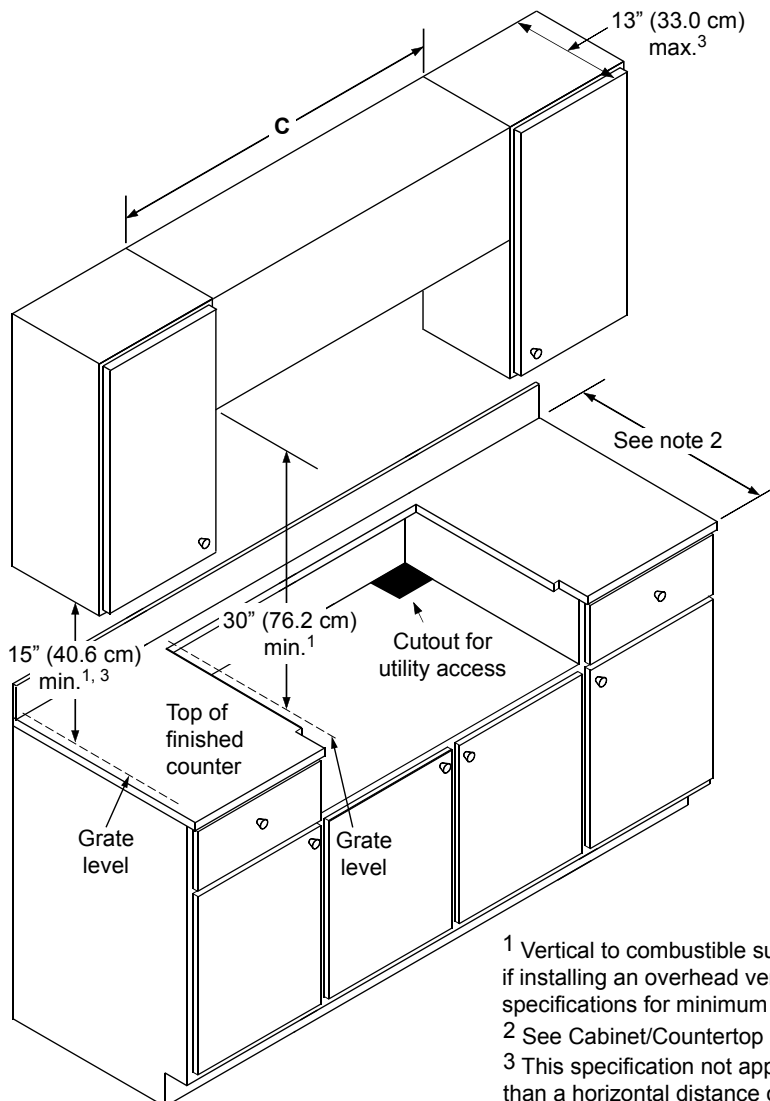
Installation Requirements

Cabinet/Cutout Dimensions

Cabinet tolerances $\pm 1/16"$ (± 1.6 mm) unless otherwise noted.



Cabinet/Countertop Dimensions - Front View



Rangetop Model	B	C
HRTP366	36" (91.4 cm)	36" (91.4 cm)* 42" (106.7 cm)**
HRTP486	48" (121.9 cm)	48" (121.9 cm)* 54" (137.2 cm)**
* Minimum ** Recommended		

Cabinet/Countertop Dimensions - ISO View

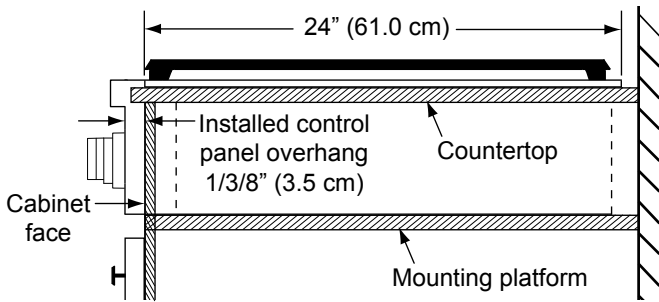
- 1 Vertical to combustable surface from rangetop grate level; if installing an overhead vent hood, also check the hood specifications for minimum required clearances.
- 2 See Cabinet/Countertop Dimensions - Top View
- 3 This specification not applicable for cabinets more than a horizontal distance of 10" (25.4 cm) from the edge of the rangetop.

continued on following pages...

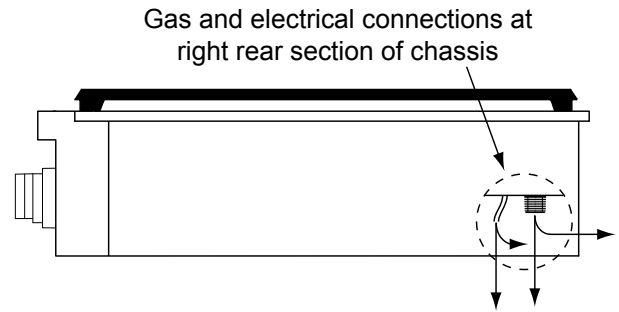
Installation Requirements

Cabinet/Countertop Dimensions (cont.)

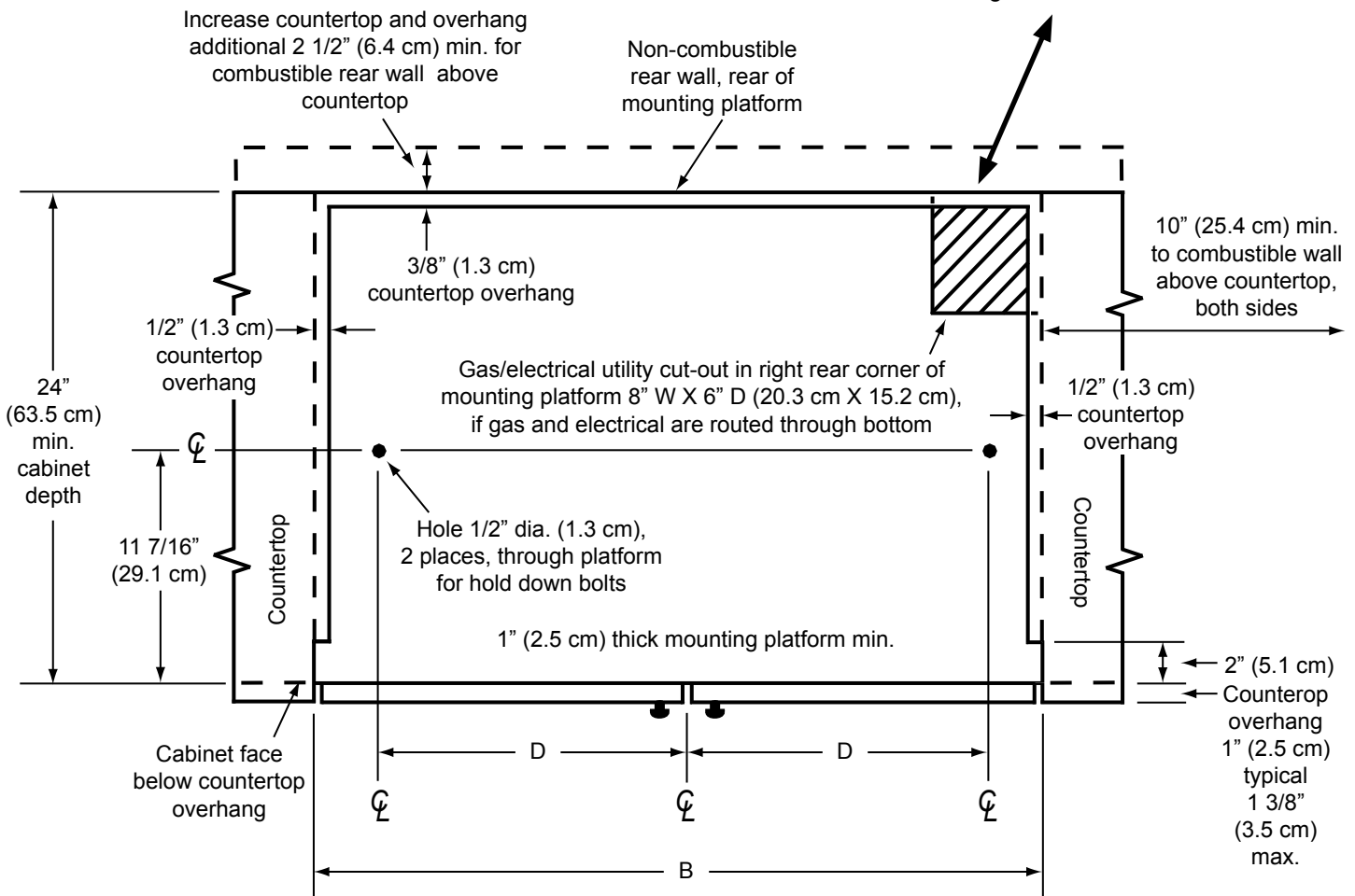
Cabinet tolerances $\pm 1/16"$ (± 1.6 mm) unless otherwise noted.



Installed Rangetop - Side View



Gas connection and power cord may be routed through bottom or back of chassis

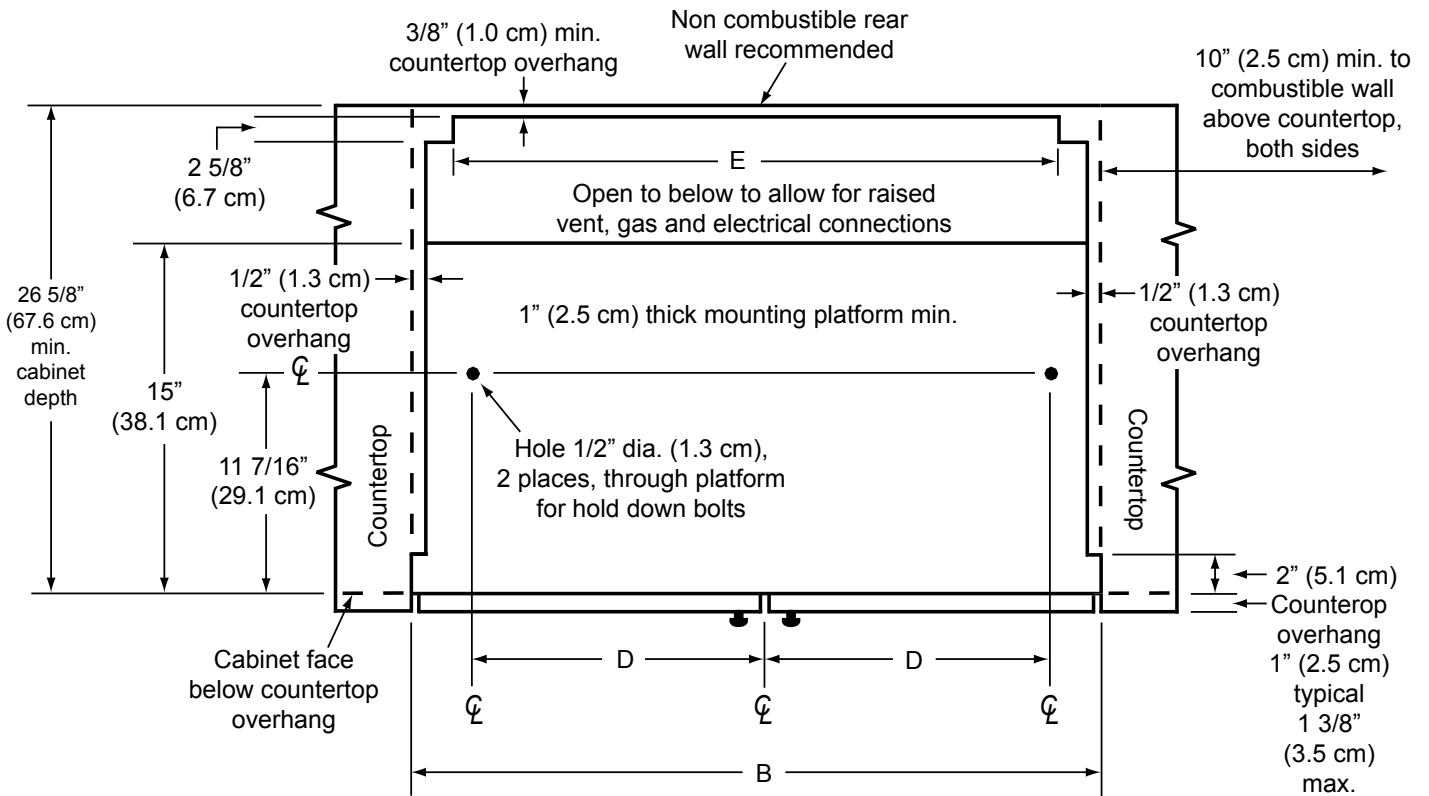


Cabinet/Countertop Cutout Dimensions without Downdraft Vent - Top View

Rangetop Model	B - Cutout Width	D - Hole Offset	E - Downdraft Vent Cutout	Approved Downdraft Vent Models
H RTP366	36" (91.4 cm)	16 5/8" (42.2 cm)	33 1/2" (85.1 cm)	MRV3615S
H RTP486	48" (121.9 cm)	20 13/16" (52.9 cm)	43 1/2" (110.5 cm)	MRV48S

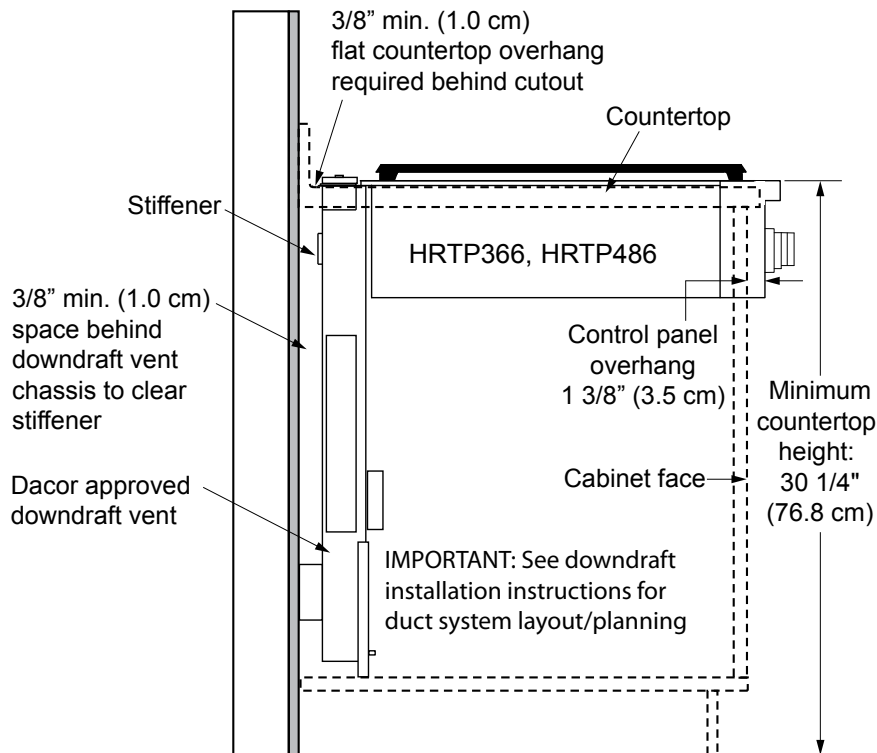
IMPORTANT: Use only the downdraft vent models specified.

Installation Requirements



NOTE: Gas and electrical connections may only be routed through the bottom of the rangetop when installed with a downdraft vent.

Cabinet/Countertop Cutout Dimensions with Downdraft vent - Top View



Cabinet/Countertop with Downdraft vent - Side View

Installation Instructions

Unpack the Rangetop

WARNING

- If the gas and electric service provided does not meet the product specifications, do not proceed with the installation. Call the dealer, the gas supplier or a licensed electrician.
- The rangetop is heavy. A minimum of two people are required to safely install it.

Unpack the parts box and verify that all required components have been provided. If any item is missing or damaged, please contact your dealer immediately. Do not install a damaged or incomplete appliance. The customer must report cosmetic issues within 30 days of installation.

- 3 Grates
- 8 standard burner caps (4 brass, 4 porcelain)*
- 4 standard burner rings
- 4 SimmerSear™ burner caps (2 brass, 2 porcelain)*
- 2 SimmerSear burner rings
- 2 SimmerSear burner heads
- 4 standard knobs
- 2 MAX GRIDDLE knobs
- Dacor Stainless Steel Cleaner
- WOK ring
- Griddle
- 2 hold down bolts
- 2 washers (for hold down bolts)
- Gas regulator
- Product literature

*The rangetop is supplied with two different types of burner caps (brass and porcelain) to suit the customer's preference.

Rangetop Installation

WARNING

- To prevent damage to the gas pressure regulator, install it only after the rangetop is mounted in its permanent position.
- Do not over-tighten the hold down bolts. Over tightening the hold down bolts may result in improper burner operation.

IMPORTANT

Do not use a hardening compound or caulk to permanently seal the rangetop into place. The rangetop must be readily removable if service is required. Removal of sealant to service the unit will be performed at the customer's expense.

1. Lower the rangetop into the cutout while feeding the electrical cord into the utility cutout. Center the rangetop in the cutout.
2. Secure the rangetop to the countertop using the two (2) provided hold-down bolts and washers provided. Do not overtighten the bolts.

Installation Instructions

Gas Line Connection

WARNING

- Verify that the gas supply meets specifications before connection. See page 3.
- The maximum gas supply pressure to the regulator must never exceed 1/2 pounds per square inch (psi) or 3.5 kPa.
- Do not install or use the rangetop without the included gas regulator installed.
- Ensure that the arrow on the regulator points in the direction of the gas flow, towards the rangetop.
- Do not apply excessive pressure when tightening gas connections and fittings.
- Do not use Teflon tape or plumber's putty on flexible gas line connections.
- Test the gas lines for leaks as instructed before use. Do not use a flame to check for leaks.
- The gas supply pressure for testing the regulator setting shall be at least 1 inch water column (249 Pa) above the specified manifold pressure. See page 3.
- The rangetop and shut-off valve must be disconnected from the gas supply piping system during any pressure testing exceeding 1/2 psi (3.5 kPa).
- The rangetop must be isolated from the gas supply piping system by closing the shut-off valve to the rangetop during any gas supply piping system pressure testing equal to or less than 1/2 psi (3.5 kPa).
- For LP gas installations, the LP gas tank must have its own high-pressure regulator in addition to the pressure regulator supplied with the rangetop.

IMPORTANT

Within the Commonwealth of Massachusetts, this appliance must be installed by a licensed plumber or gas fitter.

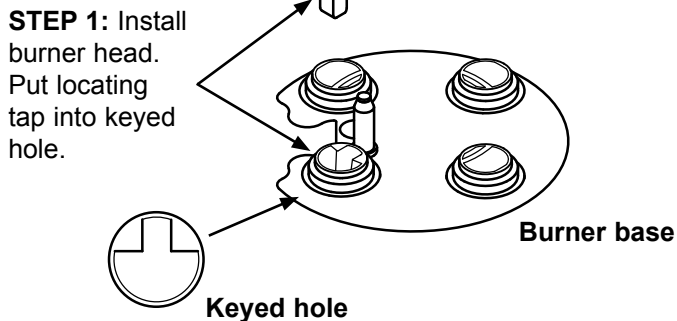
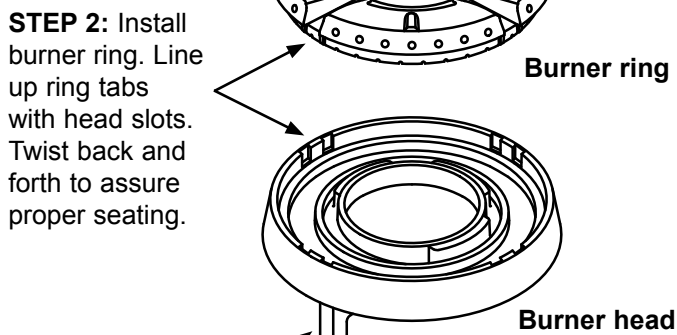
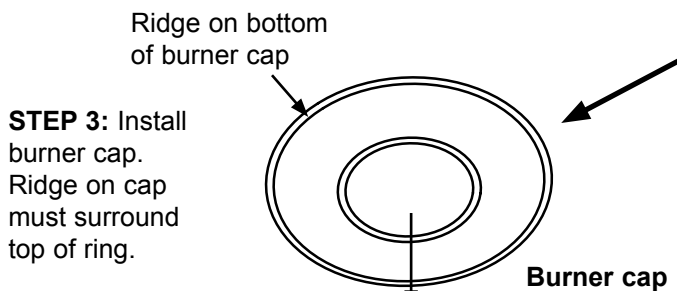
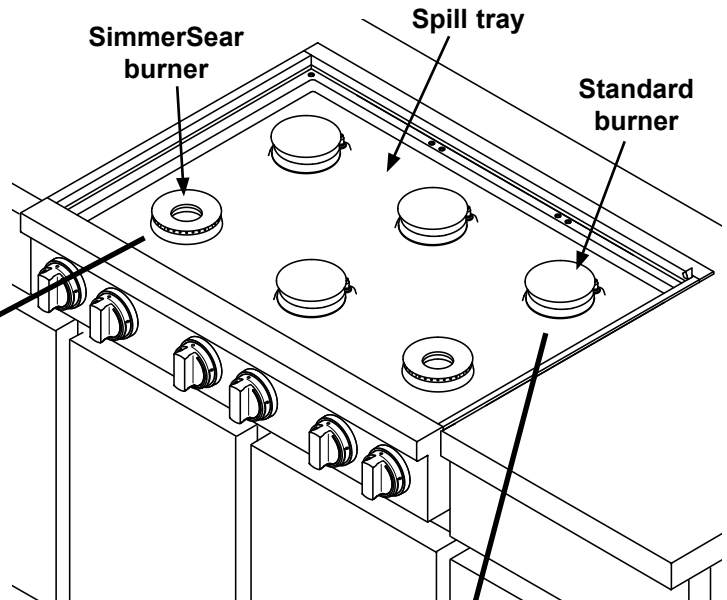
1. Attach the gas pressure regulator (included with the rangetop) to the 3/4" (1.9 cm) male NPT gas inlet on the rangetop. The inlet is located on the bottom, at the right rear portion of the chassis. For tight installations, the regulator may be installed upstream from the pipe nipple, anywhere between the shut-off valve and the rangetop. For best performance, minimize gas pressure loss by attaching the regulator as close as possible to the rangetop gas inlet.
2. Complete connection of the gas supply to the rangetop by installing a minimum 1/2" flexible gas line (not included) between the pressure regulator and the shut-off valve.
3. Check for gas leaks:
 - ◇ Turn all rangetop control valves to the **OFF** position.
 - ◇ Turn on the gas supply valve and check all lines and connections for leaks using a soap and water solution or a gas leak detector.
 - ◇ Turn the gas supply valve off.

Installation Instructions

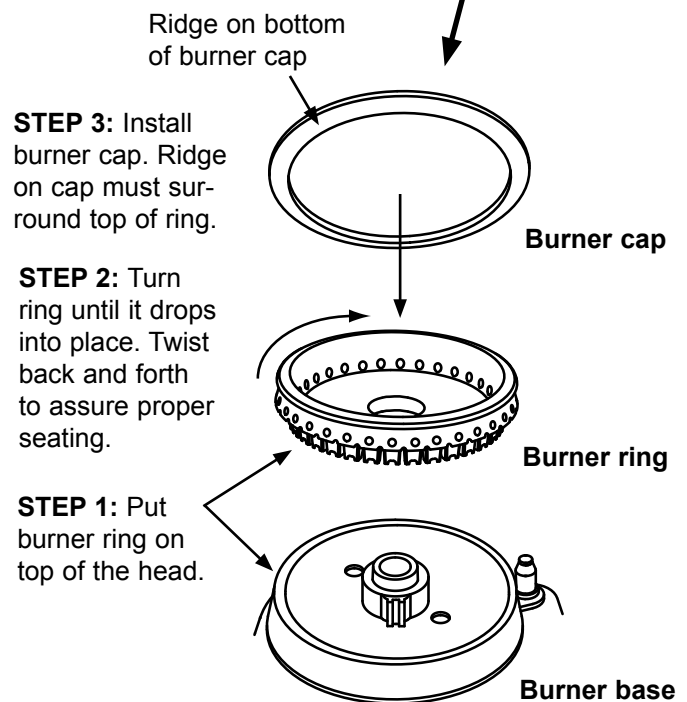
Burner Component Installation

WARNING

- Never attempt to operate the rangetop with any of the burner parts removed.
 - Do not attempt to adjust the burner air mixture settings. All adjustments are preset at the factory.
-
- Remove the burner parts and grates from their shipping packages.
 - Install the burners as shown. Either type (color) of the supplied burner caps may be used. When installing the burner components, twist each piece back and forth slightly until it drops completely into place. The burners will not operate properly unless all of the burner pieces are properly seated.
 - Gently set the grates on top of the spill tray. Make sure that the rubber feet are positioned in the dimples.



SimmerSear Burner Assembly



Standard Burner Assembly

Installation Instructions

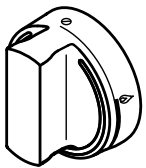
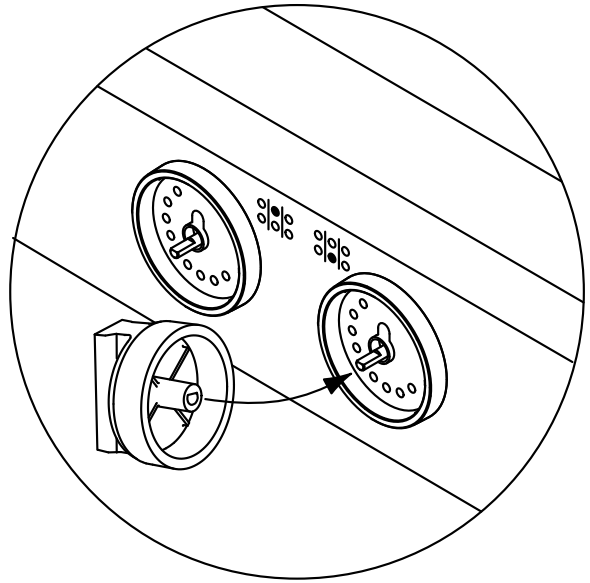
Burner Knob Installation

CAUTION

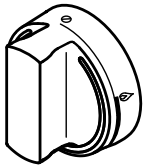
Installing the rangetop knobs in the wrong position may result in damage to the rangetop griddle. The knobs for the center burners are marked with the maximum griddle settings.

There are two (2) different types of knobs supplied with the rangetop. The knobs for the center burners have the words **MAX GRIDDLE** on them.

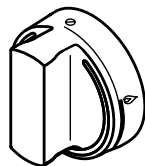
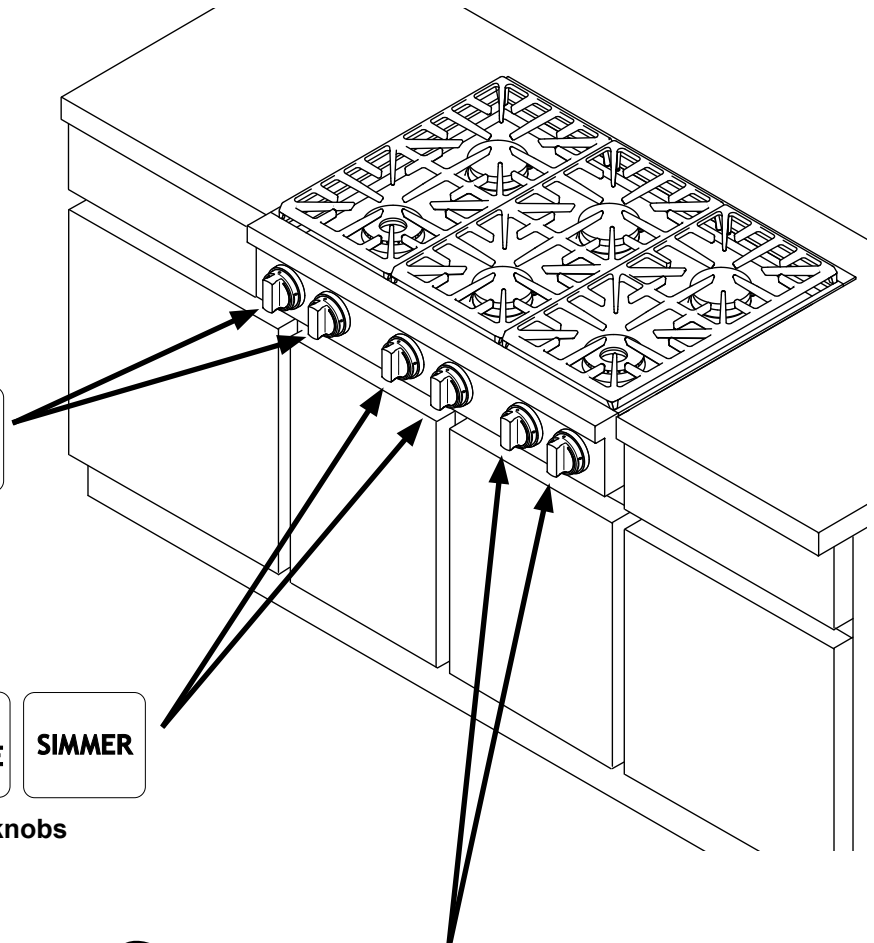
- If not already installed, put the knobs with the words **MAX GRIDDLE** on them onto the inner (center burner) valve shafts.
- Put the remaining knobs on the outer valve shafts .
- When installing the knobs, align the “D-shaped” opening on the back of the knob with the end of the valve shaft. Carefully push the knob on until it stops.



Icons on outer burner knobs



Icons on center burner knobs



Icons on outer burner knobs

Installation Instructions

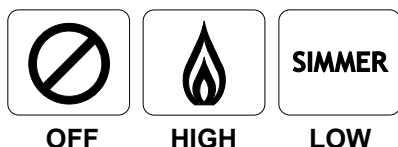
Verifying Proper Operation

WARNING

- Make sure that power to the electrical outlet is turned off at the circuit breaker or fuse box and that the gas is turned off at the gas supply valve before proceeding.
- The rangetop must be properly grounded at all times when electrical power is applied.

Prior to operating the rangetop, read the accompanying use and care manual carefully.

1. Make sure all the rangetop burner controls are in the **OFF** position.
2. Connect the power cord to the electrical outlet.
3. Turn on power to the electrical outlet at the circuit breaker panel or fuse box.
4. Gently push in and turn one of the burner control knobs counterclockwise to the **HIGH** position. Verify that the associated burner igniter sparks, then return the knob to the **OFF** position. Repeat for all of the remaining burner knobs.
5. Turn on the gas supply valve.
6. Perform the following ignition test for all of the burners, one at a time:
 - Push in and turn one of the control knobs counterclockwise to the **HIGH** position. Only the igniter for the selected burner will spark. It may take up to four seconds for the gas to ignite, at which time the igniter will stop sparking. If ignition does not occur within four seconds, turn the knob to the **OFF** position, wait for at least five minutes to allow any gas to dissipate, then repeat the test.
 - Once the burner lights, the control knob can be rotated counterclockwise from **HIGH** to **LOW** to adjust the flame height progressively.
 - When the unit is installed properly, the flame will be steady. It will also have a sharp, blue inner cone that will vary in length proportional to the burner size. The flame will be reduced by the Smart Flame™ feature under the grate fingers to increase grate life.



NOTE: If the rangetop does not operate properly, follow these troubleshooting steps:

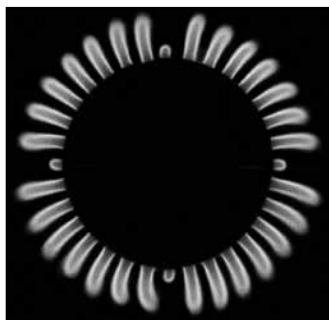
- Verify that power and gas are supplied to the rangetop.
- Check to make sure that the power plug is connected to the electrical outlet and that power is turned on at the circuit breaker panel or fuse box.
- Check to make sure that all burner parts are properly seated.
- If the burner continues to spark after ignition without stopping, have a licensed electrician check the electrical outlet for proper grounding or reversed polarity.
- Repeat the burner ignition test.

If the appliance still does not work, contact Dacor Distinctive Service at (800) 793-0093 ex 2822. Do not attempt to repair the appliance yourself. Be sure to have the model and serial numbers available when you call. See the inside cover for location.

Dacor is not responsible for the cost of correcting problems caused by a faulty installation.

Removing the Rangetop for Repair

To remove the appliance for repair, perform the installation process on the previous pages in reverse order.



Normal Flame Appearance

Installation Instructions

Installation Checklist



WARNING

- To ensure a safe and proper installation, the following checklist should be completed by the installer to ensure that no part of the installation has been overlooked.
- Proper installation is the responsibility of the homeowner. The importance of proper installation of your Dacor rangetop cannot be overemphasized.

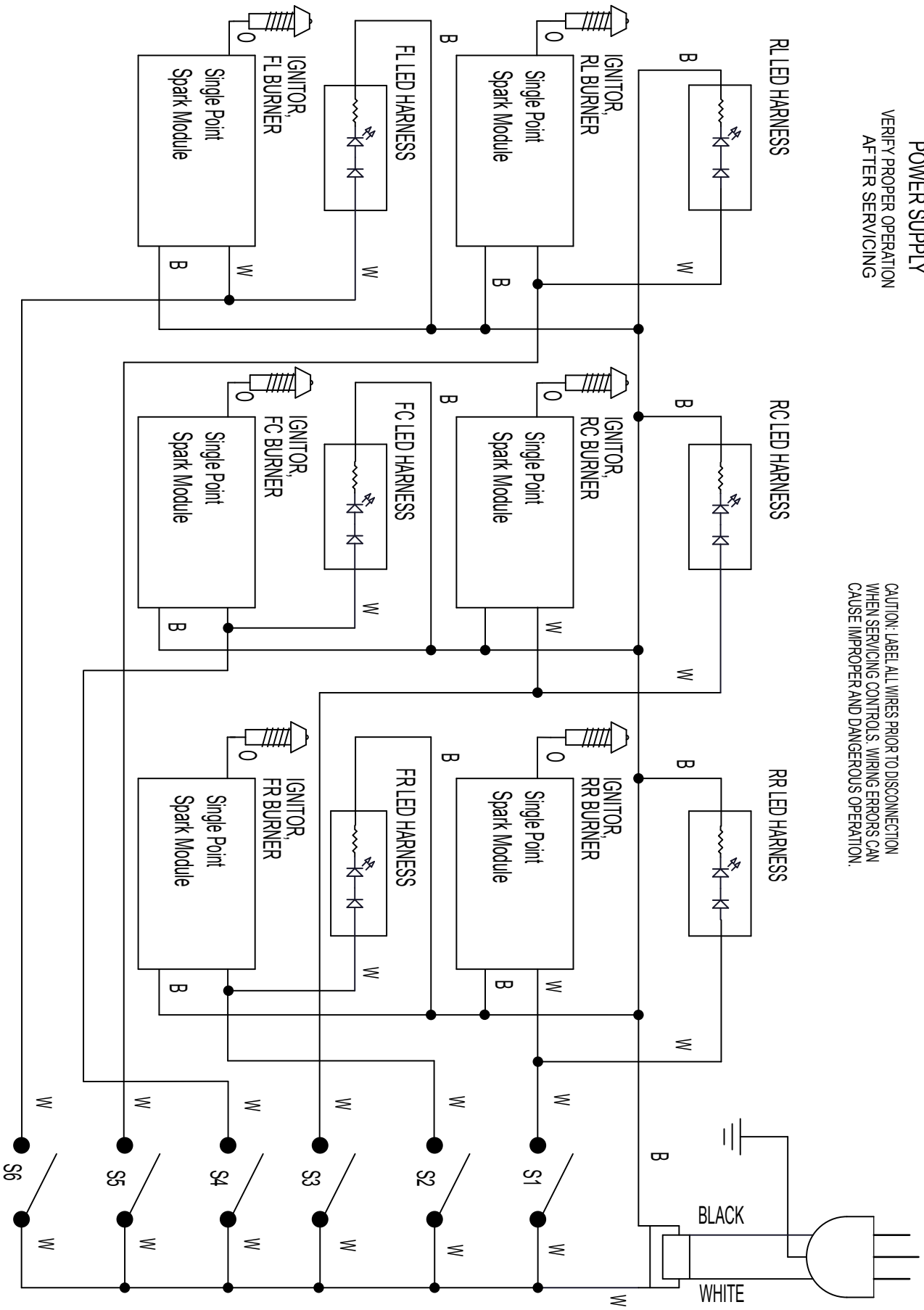
- Is the electrical outlet for the rangetop grounded and located according to these instructions and in accordance with all applicable electrical codes? See pages 3 and 4.
- Is the gas service for the rangetop located and installed according to these instructions and in accordance with all applicable codes? See pages 3 and 4.
- Has the gas supply inlet pressure been measured to ensure that it does not exceed the maximums stated in these instructions? See page 3.
- Is the rangetop secured using the provided hold-down bolts and washers? See page 8.
- Is the rangetop connected to the gas supply according to these instructions and in accordance with all applicable codes? Did the installer check the gas supply for leaks? See page 9.
- Are all burner parts and grates properly installed according to these instructions? See page 10.
- Are the knobs installed in the proper positions? See page 11.
- Has proper operation been verified?
- Has the warranty been activated on-line or the warranty card filled out completely and mailed?

Wiring Diagram

120V, 60Hz, 0.25A
 POWER SUPPLY
 VERIFY PROPER OPERATION
 AFTER SERVICING

CAUTION: LABEL ALL WIRES PRIOR TO DISCONNECTION
 WHEN SERVICING CONTROLS. WIRING ERRORS CAN
 CAUSE IMPROPER AND DANGEROUS OPERATION.

WIRING DIAGRAM HRTTP366, HRTTP486



Notes

Notes

dacor

LET THE SHOW BEGIN