

dacor

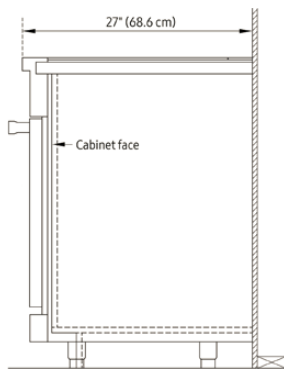
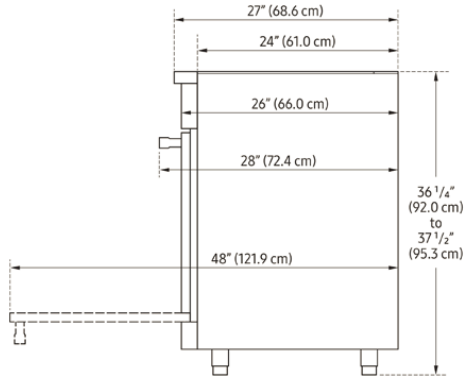
30-INCH INDUCTION PRO RANGE

APPLIANCE DIMENSIONS

30"

A (WIDTH)	29 7/8" (75.9CM)
B (DEPTH)	24" (60.1CM)
C (HEIGHT)	36 1/4 TO 37 1/2 (92.0 TO 95.3CM)

Product tolerances: +/- 1/6" (+/-1.6MM)

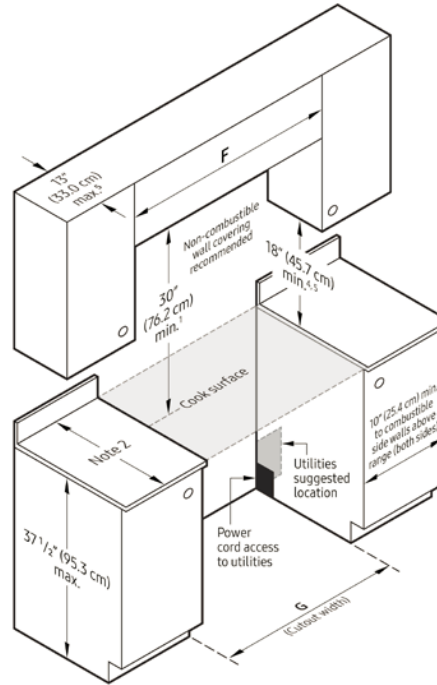


CABINET CUT-OUT DIMENSIONS

RANGE MODEL	F	G
HIPR30S	36" (91.4 CM)* 30" (76.2 CM)**	30" (76.2 CM)**

* Recommended
** Minimum

Cutout tolerances: +1/16" (+1.6 mm), -0 unless otherwise stated



ACCESSORIES (INCLUDED)

GLIDERACK™	2
STANDARD RACK	1
TEMPERATURE PROBE	1
CONVECTION FILTER	1

ACCESSORIES (OPTIONAL)

COOKIE SHEETS (SET OF 3)	ACSRO303
BAKING STONE	ABS16
BROIL/ROASTING PAN W/GRILL & V RACK	AORPVR