

# 48-Inch Dual-Fuel Steam Range with Embedded Griddle

**dacor**

**\$14,999 – \$15,899 | CONTEMPORARY**



**DOP48C96DLS/DA** – Silver Stainless, Natural Gas, Liquid Propane \$14,999

**DOP48C96DLM/DA** – Graphite, Natural Gas, Liquid Propane \$15,899

## Features & Benefits

- Real Steam™ oven
- Dual Four-Part Pure Convection system
- SimmerSear™ brass burners
- BrightVue™ LED & halogen lighting
- Motorized 7-inch LCD control panel with SmartThings Wi-Fi connectivity
- Embedded electric griddle
- Chef Mode guided cooking
- Auto Connect to compatible ventilation through Bluetooth
- External steam generator
- Digital temperature probe
- Self-clean oven
- SoftShut™ hinges

## Weights & Dimensions

<b>NET WEIGHT (LBS.)</b>	564
<b>SHIPPING WEIGHT (LBS.)</b>	650
<b>PRODUCT DIMENSIONS (W X H X D IN INCHES)</b>	47 7/8 x 36 1/8 x 27 1/2
<b>Technical Details</b>	
<b>ELECTRICAL REQUIREMENT</b>	240V, 60 Hz, 50A
<b>AVAILABLE FUEL TYPES</b>	Natural Gas, Liquid Propane
<b>LP CONVERSION KIT (INCLUDED)</b>	Yes

## Controls

<b>CONTROL TYPE</b>	7" Motorized LCD Touchscreen & Knobs
<b>CHEF MODE GUIDED COOKING</b>	Yes
<b>ILLUMINA™ KNOBS</b>	White
<b>WI-FI + SMARTTHINGS</b>	Yes
<b>BLUETOOTH AUTO CONNECT VENTILATION</b>	Yes
<b>CONTROL SHOWER LIGHTING</b>	Yes
<b>CLOCK</b>	Yes
<b>DELAY START</b>	Yes
<b>KITCHEN TIMER</b>	Yes
<b>CHILD LOCK</b>	Yes
<b>SABBATH MODE</b>	Yes

## Oven

<b>OVEN CAPACITY (CU. FT.)</b>	4.8 (Large Oven) / 1.8 (Small Oven)
<b>CONVECTION</b>	Dual Four-Part Pure
<b>STEAM</b>	Real Steam™
<b>BAKE ELEMENT</b>	3,000W - 8 Pass (Large Oven), 1,000W (Small Oven)
<b>BROIL ELEMENT</b>	4,400W - 10 Pass (Large Oven), 2,400W (Small Oven)
<b>CONVECTION ELEMENT</b>	2 x 1,300W (Large Oven), 2,000W (Small Oven)
<b>INSTANTHEAT (NO PREHEAT)</b>	Yes
<b>TEMPERATURE PROBE</b>	Yes
<b>LIGHTING</b>	BrightVue™ - LED & Halogen
<b>SELF-CLEAN</b>	Self-Clean, GreenClean™
<b>SOFTSHUT™</b>	Yes

## Cooktop

<b>NUMBER OF BURNERS</b>	6 Brass & Griddle
<b>PERMA-FLAME™ (AUTO RE-IGNITION)</b>	Yes
<b>LEFT FRONT (BTU)</b>	18,000
<b>LEFT REAR (BTU)</b>	16,000
<b>CENTER FRONT (BTU)</b>	22,000
<b>CENTER REAR (BTU)</b>	9,000
<b>RIGHT FRONT (BTU)</b>	16,000
<b>RIGHT REAR (BTU)</b>	16,000
<b>BRASS BURNER CAPS</b>	Yes
<b>GRIDDLE</b>	1,400W
<b>WOK RING</b>	Yes

## Warranty

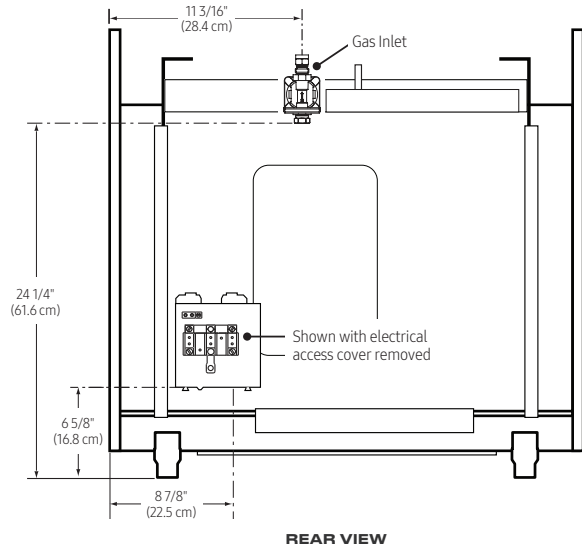
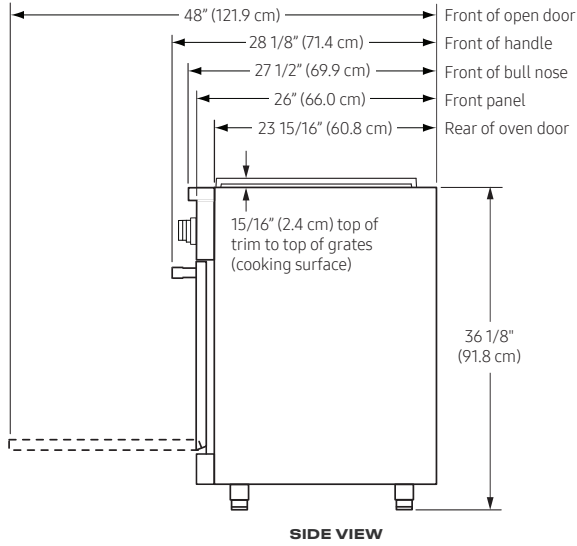
<b>FULL COVERAGE</b>	2 Years
----------------------	---------

# 48-Inch Dual-Fuel Steam Range with Embedded Griddle



**\$14,999 – \$15,899 | CONTEMPORARY**

## Product Dimensions



## Cutout Dimensions

<b>A - INCH / CM</b>	Min 52 / 137.2, Max 48 / 121.9
<b>B - INCH / CM</b>	Min 48 / 121.9, Max 48 1/8 / 122.2
<b>C - INCH / CM</b>	43 1/2 / 110.5

