



## 36-INCH DUAL-FUEL RANGE

DOP36P86D | TRANSITIONAL STYLE



### AVAILABLE MODELS

DOP36P86DLS Transitional 36" Dual-Fuel Range - Silver Stainless Steel Natural Gas/Liquid Propane

### FEATURES & BENEFITS

- Exclusive Four-Part Dual Pure Convection - heat, air, baffle, and filter to precisely distribute heat for superior cooking results.
- Steam Assist and Convection Oven - the power of steam and convection cooking in one.
- Large oven capacity - 6.3 cu. ft.
- 6 brass sealed burners.
- Powerful 22K BTU and true simmer burners.
- Illumina™ Knobs and Ambient Light.
- PMOLED Touch Control Panel.
- SmartThings app with integrated Wif-Fi to control and monitor remotely.
- Auto connect to hood.

### ACCESSORIES (INCLUDED)

GLIDERACK™	2
STANDARD RACKS	1
TEMPERATURE PROBE	1
WOK RING	1
CONVECTION FILTER	2
BRASS BURNER CAPS	YES
BLACK BURNER CAPS	YES

### ACCESSORIES (OPTIONAL)

COOKIE SHEETS (SET OF 3)	SKU - ACSM303
--------------------------	---------------

### GENERAL PROPERTIES

OVEN CAPACITY (CUBIC FEET)	6.3
COOKING MODES	BAKE, BROIL, ROAST, CONVECTION BAKE, CONVECTION ROAST, PRO CONVECTION, STEAM BAKE, STEAM ROAST, CONVECTION BROIL

### OVEN PERFORMANCE

BAKE ELEMENT	3,000W - 8 PASS
BROIL ELEMENT	4,400W - 10 PASS
CONVECTION FANS	2
STEAM HEATER	500W

### BURNER PERFORMANCE

TOTAL NUMBER OF COOKTOP BURNERS	6
CENTER FRONT (BTU)	16,000 DOUBLE RING
CENTER REAR (BTU)	16,000 DOUBLE RING
LEFT FRONT (BTU)	22,000 DUAL RING
LEFT REAR (BTU)	16,000 DUAL RING
RIGHT FRONT (BTU)	22,000 DUAL RING
RIGHT REAR (BTU)	16,000 DUAL RING
PERMA-FLAME™ (AUTO RE-IGNITION)	YES

### CONTROL FEATURES

PMOLED DISPLAY	YES
NUMBER OF KNOBS	8
CONTROL METHOD	KNOBS + PMOLED TOUCH SCREEN
WI FI	YES
BLUETOOTH (HOOD CONNECTION)	YES
ILLUMINA™ BURNER KNOBS	YES / WHITE
HIGHLIGHTING COLOR	WHITE
AMBIENTLIGHTING	YES (DIMMING)
CLOCK	YES
DELAY START	YES
KITCHEN TIMER	YES
TIME OF DAY (12 HR/24 HR)	YES
TEMPERATURE (F / C)	YES
CHILD LOCK	YES
SOUND ON/OFF	YES
MANUAL LIGHTING ON/OFF	YES

# dacor

## 36-INCH DUAL-FUEL RANGE

### ADDITIONAL FEATURES

CLEANING TYPE	SELF CLEAN, HYBRID CLEAN, GREENCLEAN
TYPE OF GRATE	CONTINUOUS CAST IRON
CAVITY	BLACK ENAMEL COATING
RACK POSITIONS	5
CONVECTION TYPE	FOUR PART DUAL PURE CONVECTION WITH FILTER
LP CONVERSION KIT	YES

### ADDITIONAL MODES

KEEP WARM	YES
PROOF (LOWER TEMP)	YES
PROOF	YES
DEHYDRATE	YES
SABBATH	YES
DRAIN	YES
DESCALE	YES

### OPTIONAL MODES

TEMPERATURE PROBE	YES
INSTANTHEAT (NO PREHEAT)	YES WITH CONVECTION ROAST /CONVECTION BAKE

### TECHNICAL DETAILS

CIRCUIT BREAKER (A)	40
VOLTS (V)	240 / 208
FREQUENCY (HZ)	60
ENERGY SOURCE	GAS AND ELECTRIC
GAS TYPE	NATURAL GAS LIQUID PROPANE

### DIMENSIONS & WEIGHT

APPLIANCE DIMENSIONS (W X H X D) (IN.)	35 7/8" X 36" X 28 3/4"
REQUIRED CUTOUT SIZE (W X D) (IN.)	36" MIN X 24"

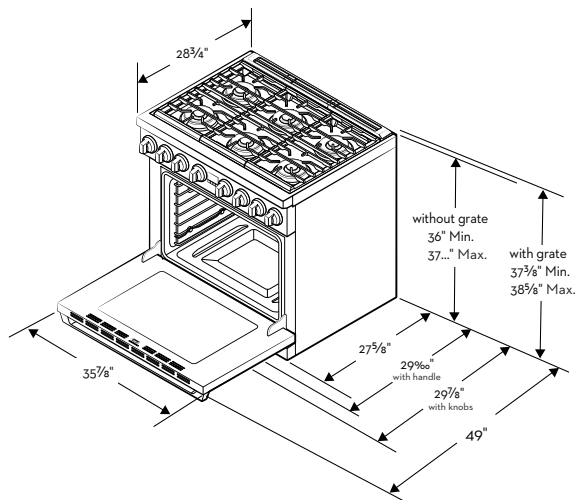
### WARRANTY

LIMITED, PARTS AND LABOR	2 YEARS
--------------------------	---------

# dacor

## 36-INCH DUAL-FUEL RANGE

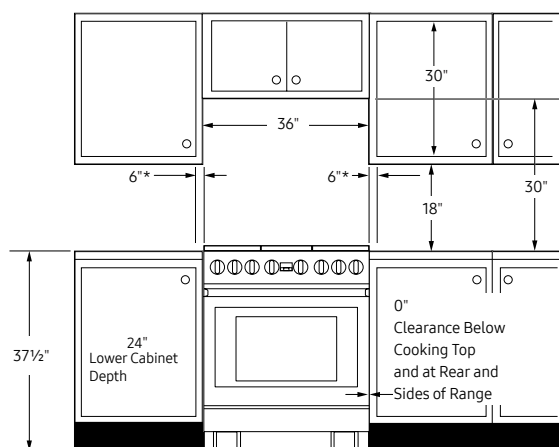
### APPLIANCE DIMENSIONS



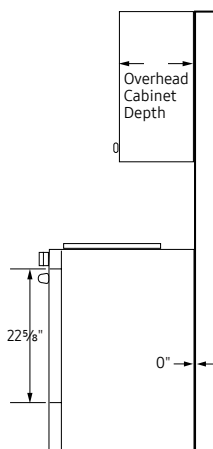
### 36"

WIDTH	35 7/8" (121.6CM)
DEPTH (BULLNOSE)	28 3/4" (73.0CM)
C (HEIGHT)	36" (91.4CM)

### INSTALLATION DIMENSIONS



\* Side clearance above cooking surface to any objects, i.e., wall.



### 36"

A	ELECTRICAL OUTLET 7/8" (W) X 6 7/8" (H) (25.1CM X 17.5CM)
B	GAS PIPING 7 3/8" (W) X 5 3/8" (H) (18.6CM X 13.8CM)

