

# SI(B)522 | ALITO Collection



## Island Hood

The SI(B)522 embodies the qualities and characteristics that distinguish Cyclone from the competition. This handsome, tasteful hood is a wonderful compliment to modern, upscale home decor. Features button controlled LED lights and a three-speed control panel. An attractive glass canopy broadly frames the filters and blocks smoke and grease from staining the vent shaft. Quiet and powerful, the fan draws air out of your kitchen with minimal sound. Fitted with a time-delay OFF feature up to nine minutes.

## Green Features



3 Speed Push Button Control Panel



Long-Lasting LED Lights



Time-Delay OFF Feature



Grease Cup



Model	Colour	Ducting	Filters	Size	CFM
SI52236	Stainless Steel	6"	Mesh	36"	600
SIB52136	Stainless Steel	6"	Baffle	36"	600

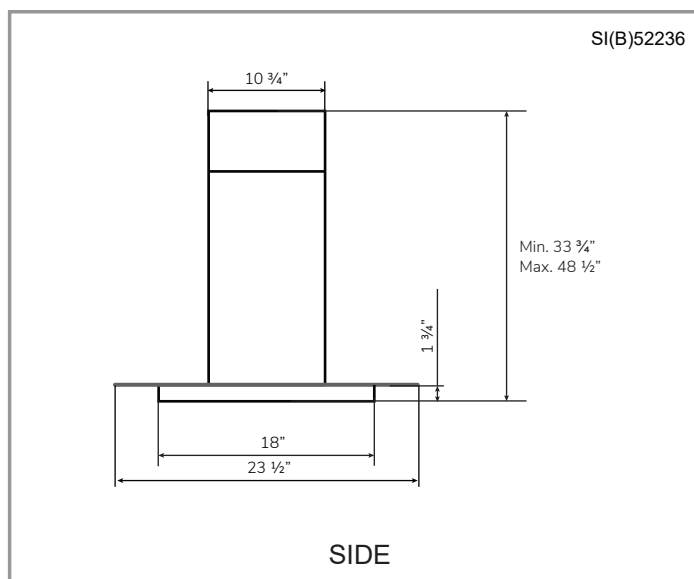
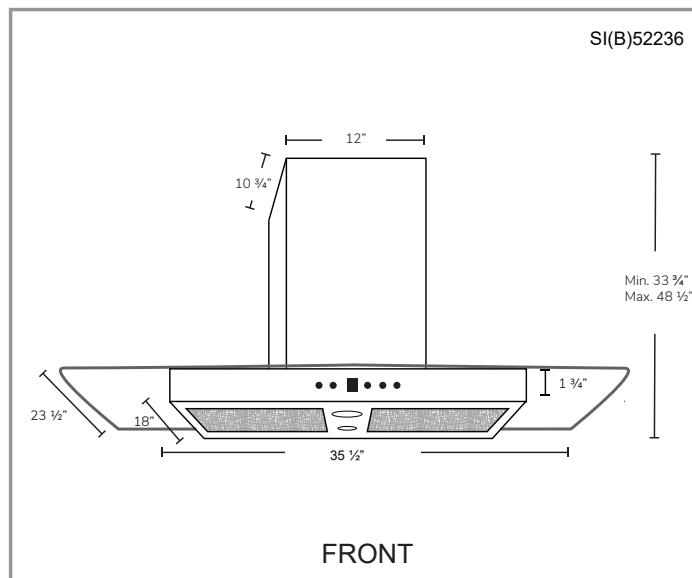
### Cyclone Range Hoods Inc.

1361 Huntingwood Drive, Unit 16. Toronto, ON. M1S 3J1. Canada.

Toll Free: 1-888-293-5662 Tel: (416) 293-0933 Fax: (416) 293-4793 Website: [www.CycloneRangeHoods.com](http://www.CycloneRangeHoods.com)

## Features

- Island range hood
- 6" round duct adapter
- Non-stick aluminum fan blades
- 3 speed push button control
- 2 LED lights (2 x 1.4W, 4000K)
- Quick release aluminum mesh filters
- Standard chimney fits up to 9 ft. ceiling
- Up to 9 minutes time-delay OFF feature
- Plug-in connection



## Options

### Filters:

SI522 - Quick Release Aluminum Mesh Filters

SIB522 - Quick Release Stainless Steel Baffle Filters

### Chimney Flues:

IS2.CH16 - short (7'-8' ceilings)

IS2.CH24 - standard (8'-9' ceilings)

IS2.CH32 - extended (9'-11' ceilings)

## Specifications

- Air Flow Volume: 600 CFM
- Electrical Connection: 120 V/60 Hz
- Power Consumption: 300 Watts

- Current: 3.0 Amps
- Fan Speed: 1599 RPM
- Fan Type: Centrifugal Blower

- Finishes: Stainless Steel
- Ducting: 6" Round
- Noise Level: Min. 2 Sones  
Max. 6 Sones

