

# SI(B)521 | ALITO Collection



## Island Hood

A very attractive exhaust fan, the SI(B)521 is the perfect balance of substance and style. The arched glass canopy frames a classic design giving it a modern appeal. The hood features a three-speed digital control panel, button controlled LED lights, two mesh or baffle filter screens, and a quiet, efficient motor. Fitted with a time-delay OFF feature up to nine minutes.

## Green Features



3 Speed Push Button Control Panel



Long-Lasting LED Lights



Time-Delay OFF Feature



Grease Cup



Model	Colour	Ducting	Filters	Size	CFM
SI52136	Stainless Steel	6"	Mesh	36"	600
SIB52136	Stainless Steel	6"	Baffle	36"	600

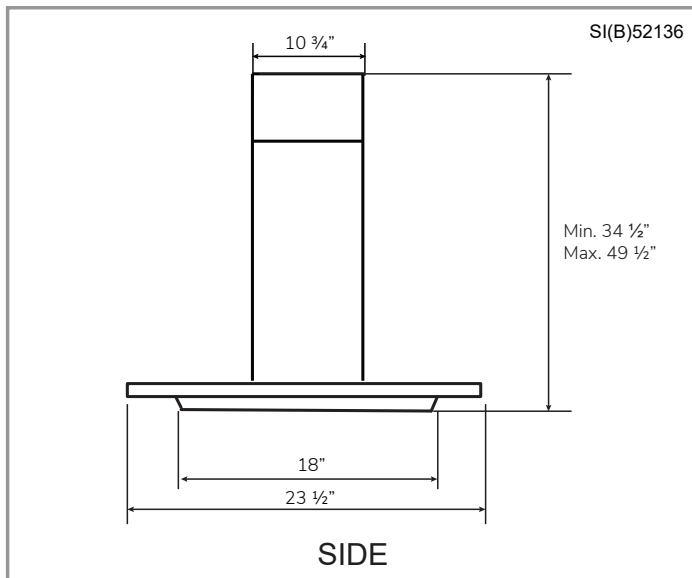
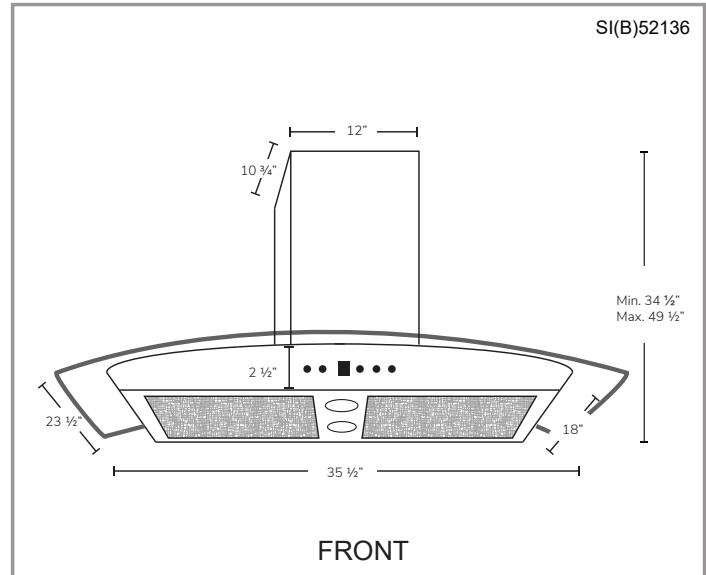
### Cyclone Range Hoods Inc.

1361 Huntingwood Drive, Unit 16. Toronto, ON. M1S 3J1. Canada.

Toll Free: 1-888-293-5662 Tel: (416) 293-0933 Fax: (416) 293-4793 Website: [www.CycloneRangeHoods.com](http://www.CycloneRangeHoods.com)

## Features

- Island range hood
- 6" round duct adapter
- Non-stick aluminum fan blades
- 3 speed push button control
- 2 LED lights (2 x 1.4W, 4000K)
- Quick release aluminum mesh filters
- Standard chimney fits up to 9 ft. ceiling
- Up to 9 minutes time-delay OFF feature
- Plug-in connection



## Options

### Filters:

SI521 - Quick Release Aluminum Mesh Filters

SIB521 - Quick Release Stainless Steel Baffle Filters

### Chimney Flues:

IS1.CH16 - short (7'-8' ceilings)

IS2.CH24 - standard (8'-9' ceilings)

IS2.CH32 - extended (9'-11' ceilings)

## Specifications

- Air Flow Volume: 600 CFM
- Electrical Connection: 120 V/60 Hz
- Power Consumption: 300 Watts

- Current: 2.5 Amps
- Fan Speed: 1599 RPM
- Fan Type: Centrifugal Blower

- Finishes: Stainless Steel
- Ducting: 6" Round
- Noise Level: Min. 2 Sones  
Max. 6 Sones

