

SI(B)323 | ALITO Collection



Island Hood

Strong and incredibly quiet, the SI(B)323 makes a powerful statement in any kitchen. It features mesh or baffle filters, four bright LED lights for optimal lighting and a highly efficient motor. The bold design and strong stainless steel frame encasing the fan will make this machine the focus of your kitchen. Fitted with a time-delay OFF feature up to nine minutes.

Green Features



3 Speed Push Button Control Panel



Long-Lasting LED Lights



Time-Delay OFF Feature



Grease Cup



Model	Colour	Ducting	Filters	Size	CFM
SI32330	Stainless Steel	6"	Mesh	30"	300
SI32336	Stainless Steel	6"	Mesh	36"	300
SIB32330	Stainless Steel	6"	Baffle	30"	300
SIB32336	Stainless Steel	6"	Baffle	36"	300

Cyclone Range Hoods Inc.

1361 Huntingwood Drive, Unit 16. Toronto, ON. M1S 3J1. Canada.

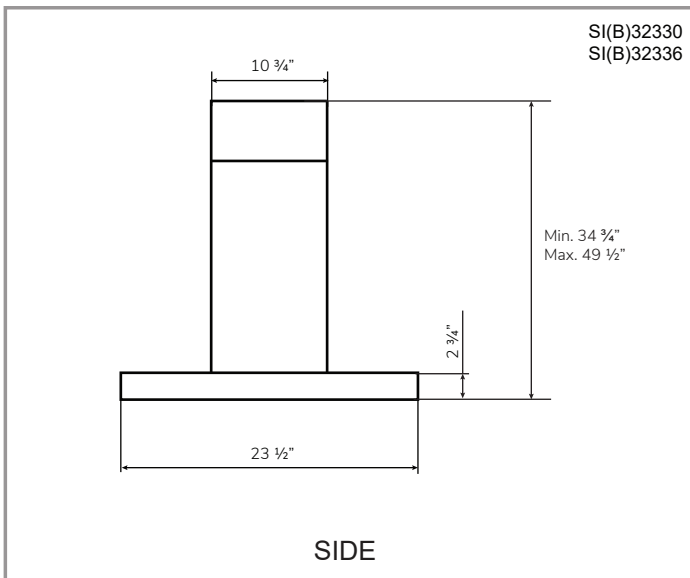
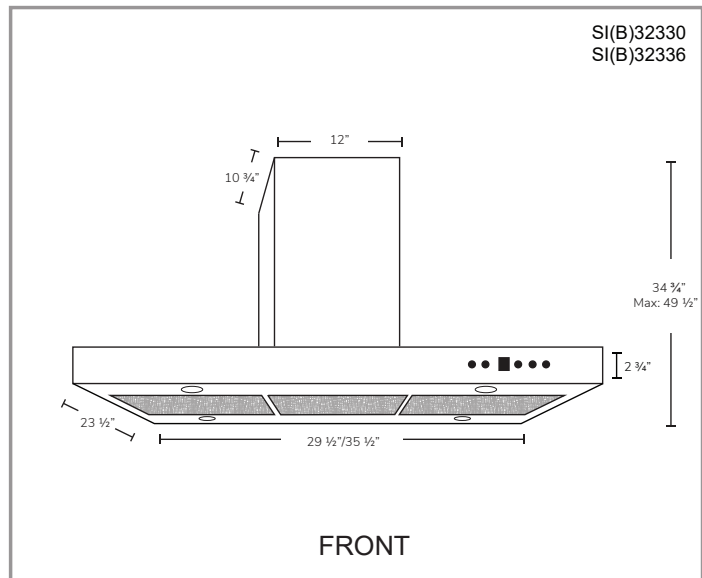
Toll Free: 1-888-293-5662 Tel: (416) 293-0933 Fax: (416) 293-4793 Website: www.CycloneRangeHoods.com

SI(B)323 | ALITO Collection



Features

- Island range hood
- 6" round duct adapter
- Non-stick aluminum fan blades
- 3 speed push button control
- 4 LED lights (4 x 1.4W, 4000K)
- Quick release aluminum mesh filters
- Standard chimney fits up to 9 ft. ceiling
- Up to 9 minutes time-delay OFF feature
- Plug-in connection



Options

- Filters:
 - SI323 - Quick Release Aluminum Mesh Filters
 - SIB323 - Quick Release Stainless Steel Baffle Filters
- Chimney Flues:
 - IS1.CH16 - short (7'-8' ceilings)
 - IS1.CH24 - standard (8'-9' ceilings)
 - IS1.CH32 - extended (9'-11' ceilings)
- Widths: 30", 36"

Specifications

- | | | |
|--|--|--|
| <ul style="list-style-type: none">▪ Air Flow Volume: 300 CFM▪ Electrical Connection: 120 V/60 Hz▪ Power Consumption: 300 Watts | <ul style="list-style-type: none">▪ Current: 2.0 Amps▪ Fan Speed: 1350 RPM▪ Fan Type: Centrifugal Blower | <ul style="list-style-type: none">▪ Finishes: Stainless Steel▪ Ducting: 6" Round▪ Noise Level: Min. 2 Sones
Max. 4 Sones |
|--|--|--|

