

SC(B)722 | PRO Collection



24" Width Model



Mesh Filter



Baffle Filter

Wall Mount

Designed with an emphasis on the beauty of simplicity, the straightforward design of this model blends seamlessly with a modern kitchen environment. Features 650 CFM of drawing power, two LED lights at the front of the machine, and fitted with a time-delay OFF feature up to nine minutes.

Green Features



3 Speed Push Button Control Panel



Long-Lasting LED Lights



Time-Delay OFF Feature



Grease Cup



Model	Colour	Ducting	Filters	Size	CFM
SC72224	Stainless Steel	6"	Mesh	24"	650
SC72230	Stainless Steel	6"	Mesh	30"	650
SC72236	Stainless Steel	6"	Mesh	36"	650
SCB72224	Stainless Steel	6"	Baffle	24"	650
SCB72230	Stainless Steel	6"	Baffle	30"	650
SCB72236	Stainless Steel	6"	Baffle	36"	650

Cyclone Range Hoods Inc.

1361 Huntingwood Drive, Unit 16. Toronto, ON. M1S 3J1. Canada.

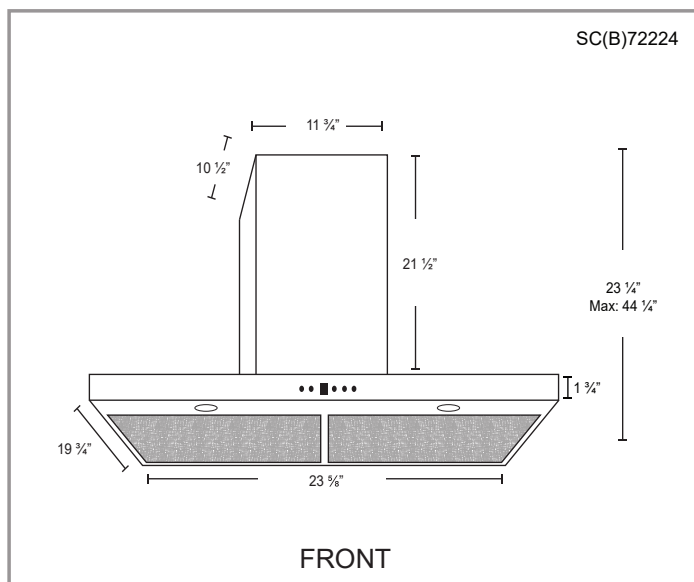
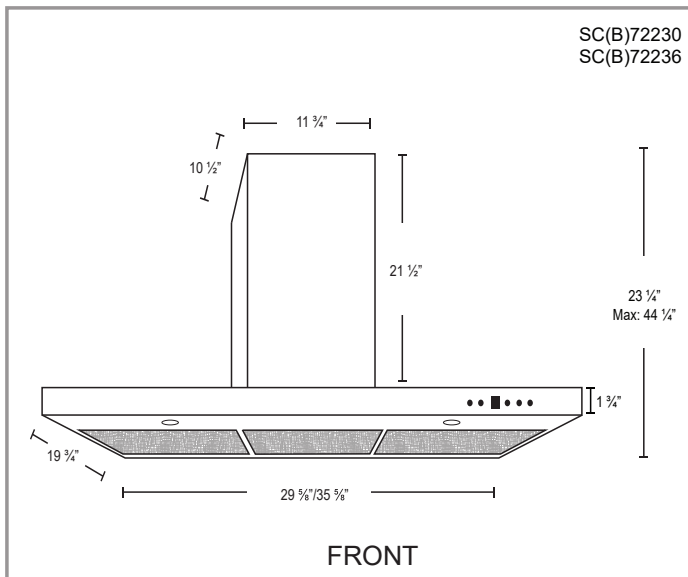
Toll Free: 1-888-293-5662 Tel: (416) 293-0933 Fax: (416) 293-4793 Website: www.CycloneRangeHoods.com

SC(B)722 | PRO Collection



Features

- Wall mount range hood
- 6" round duct adapter
- Non-stick aluminum fan blades
- 3 speed push button control
- 2 LED lights (2 x 1.4W, 4000K)
- Quick release aluminum mesh filters
- Standard chimney fits up to 9 ft. ceiling
- Up to 9 minutes time-delay OFF feature
- Plug-in connection



Options

- Filters:
 - SC722 - Quick Release Aluminum Mesh Filters
 - SCB722 - Quick Release Stainless Steel Baffle Filters
- Chimney Flues:
 - B2.CH16 - short (7'-8' ceilings)
 - B2.CH22 - standard (8'-9' ceilings)
 - B2.CH32 - extended (9'-11' ceilings)
- Widths: 24", 30", 36"

Specifications

- Air Flow Volume: 650 CFM
- Electrical Connection: 120 V/60 Hz
- Power Consumption: 300 Watts
- Current: 2.5 Amps
- Fan Speed: 1599 RPM
- Fan Type: Centrifugal Blower
- Finishes: Stainless Steel
- Ducting: 6" Round
- Noise Level: Min. 2 Sones
Max. 7 Sones

