



Wall Mount

A stylish and luxurious addition to your kitchen, this machine is another testament to our design team's creative and innovative design process. The dishwasher-safe baffle filters never have to be replaced, reducing your expenses and even more importantly reducing waste. The SCB717 is available in both 30" and 36" widths and features a three-speed push button control panel, time-delay OFF feature up to nine minutes, two bright LED lights, and a 650 CFM fan.

Green Features



3 Speed
Push Button
Control Panel



Dishwasher Safe
Baffle Filters



Long-Lasting
LED Lights



Time-Delay
OFF Feature



Grease Cup

Model	Colour	Ducting	Filters	Size	CFM
SCB71730	Stainless Steel	6"	Baffle	30"	650
SCB71736	Stainless Steel	6"	Baffle	36"	650

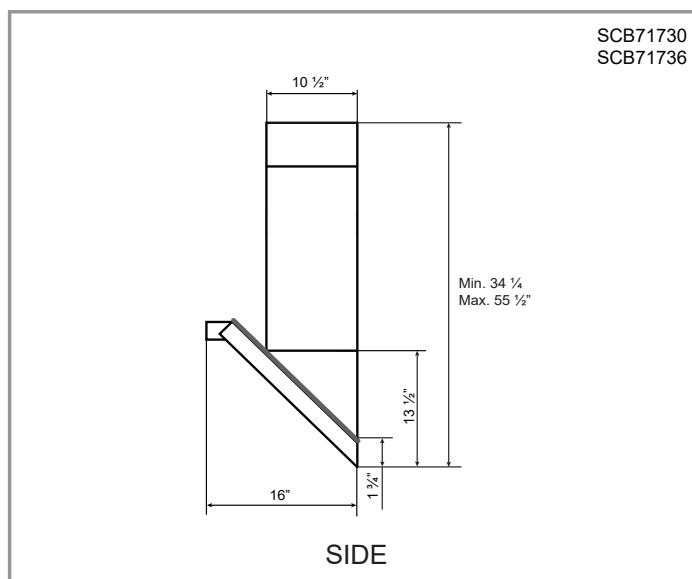
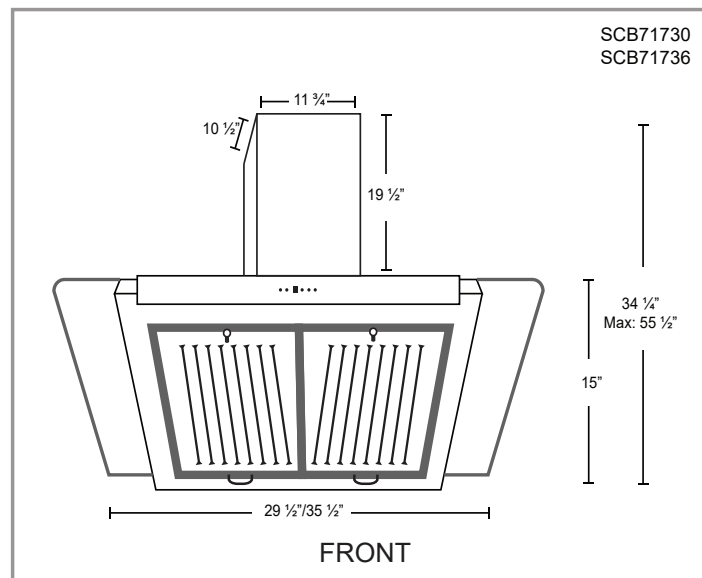
Cyclone Range Hoods Inc.

1361 Huntingwood Drive, Unit 16. Toronto, ON. M1S 3J1. Canada.

Toll Free: 1-888-293-5662 Tel: (416) 293-0933 Fax: (416) 293-4793 Website: www.CycloneRangeHoods.com

Features

- Wall mount range hood
- 6" round duct adapter
- Non-stick aluminum fan blades
- 3 speed push button control
- 2 LED lights (2 x 1.4W, 4000K)
- Quick release dishwasher-safe baffle filters
- Standard chimney fits up to 9 ft. ceiling
- Up to 9 minutes time-delay OFF feature
- Plug-in connection



Options

- Chimney Flues:
 - B2.CH16 - short (7'-8' ceilings)
 - B2.CH22 - standard (8'-9' ceilings)
 - B2.CH32 - extended (9'-11' ceilings)
- Widths: 30", 36"

Specifications

- | | | |
|--|--|--|
| <ul style="list-style-type: none"> ▪ Air Flow Volume: 650 CFM ▪ Electrical Connection: 120 V/60 Hz ▪ Power Consumption: 300 Watts | <ul style="list-style-type: none"> ▪ Current: 2.5 Amps ▪ Fan Speed: 1599 RPM ▪ Fan Type: Centrifugal Blower | <ul style="list-style-type: none"> ▪ Finishes: Stainless Steel ▪ Ducting: 6" Round ▪ Noise Level: Min. 2 Sones
Max. 7 Sones |
|--|--|--|

