

# SCB715 | PRO Collection



## Wall Mount

Available in both 30" and 36" wide frames, the SCB715 conveys a sense of power and strength. Designed to look and function like a smaller scale industrial strength exhaust fan, this machine will certainly get rid of unwanted odours, grease and smoke even with high-heat cooking. Features three fan speeds, front LED lights and is fitted with a time-delay OFF feature up to nine minutes.

## Green Features



3 Speed  
Push Button  
Control Panel



Dishwasher Safe  
Baffle Filters



Long-Lasting  
LED Lights



Time-Delay  
OFF Feature



Grease Cup



Model	Colour	Ducting	Filters	Size	CFM
SCB71530	Stainless Steel	6"	Baffle	30"	650
SCB71536	Stainless Steel	6"	Baffle	36"	650

### Cyclone Range Hoods Inc.

1361 Huntingwood Drive, Unit 16. Toronto, ON. M1S 3J1. Canada.

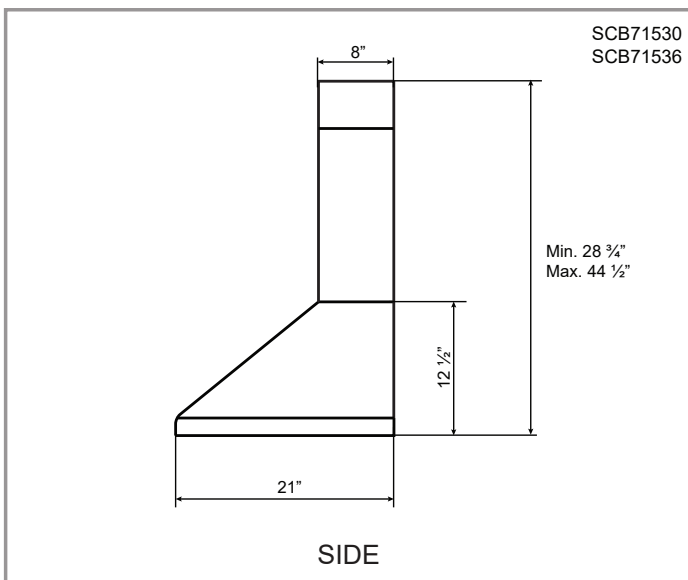
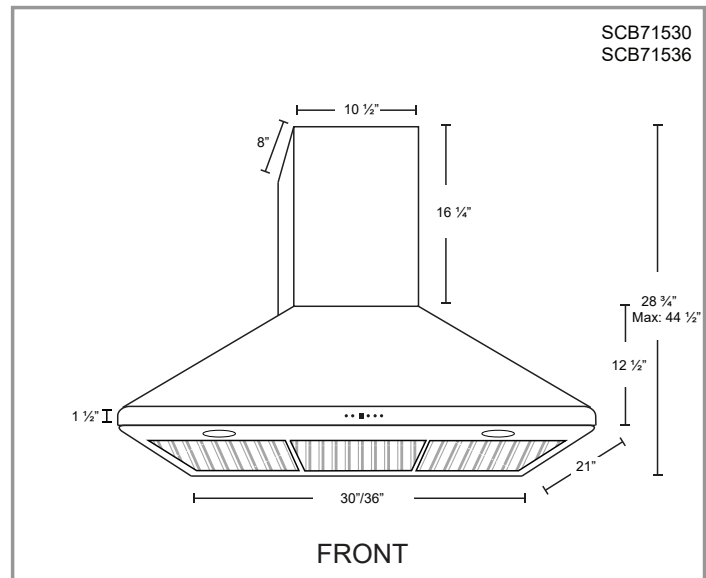
Toll Free: 1-888-293-5662 Tel: (416) 293-0933 Fax: (416) 293-4793 Website: [www.CycloneRangeHoods.com](http://www.CycloneRangeHoods.com)

# SCB715 | PRO Collection



## Features

- Wall mount range hood
- 6" round duct adapter
- Non-stick aluminum fan blades
- 3 speed push button control
- 2 LED lights (2 x 1.4W, 4000K)
- Quick release dishwasher-safe baffle filters
- Standard chimney fits up to 9 ft. ceiling
- Up to 9 minutes time-delay OFF feature
- Plug-in connection



## Options

- Available Chimney Flues:
  - A2.CH10 - Short (7'-8' ceilings)
  - A2.CH16 - Standard (8'-9' ceilings)
  - A2.CH30 - Extended (9'-11' ceilings)
- Widths: 30", 36"

## Specifications

- |  |  |  |
|--|--|--|
| <ul style="list-style-type: none"><li>▪ Air Flow Volume: 650 CFM</li><li>▪ Electrical Connection: 120 V/60 Hz</li><li>▪ Power Consumption: 300 Watts</li></ul> | <ul style="list-style-type: none"><li>▪ Current: 2.5 Amps</li><li>▪ Fan Speed: 1599 RPM</li><li>▪ Fan Type: Centrifugal Blower</li></ul> | <ul style="list-style-type: none"><li>▪ Finishes: Stainless Steel</li><li>▪ Ducting: 6" Round</li><li>▪ Noise Level: Min. 2 Sones<br/>Max. 7 Sones</li></ul> |
|--|--|--|

