

SCB711 | PRO Collection



Wall Mount

Bold and masculine by design, the SCB711 is a professional grade range hood. The three-speed push button control panel gives you complete control of the fan while bright LED lights illuminate the cooking area. Comes standard with strong and easily removable dishwasher-safe baffle filters to keep your kitchen clean and keep you breathing easy. Fitted with a time-delay OFF feature up to nine minutes.

Green Features



3 Speed
Push Button
Control Panel



Dishwasher Safe
Baffle Filters



Grease Tray



Long-Lasting
LED Lights



Time-Delay
OFF Feature



Grease Cup



Model	Colour	Ducting	Filters	Size	CFM
SCB71130	Stainless Steel	6"	Baffle	30"	650
SCB71136	Stainless Steel	6"	Baffle	36"	650

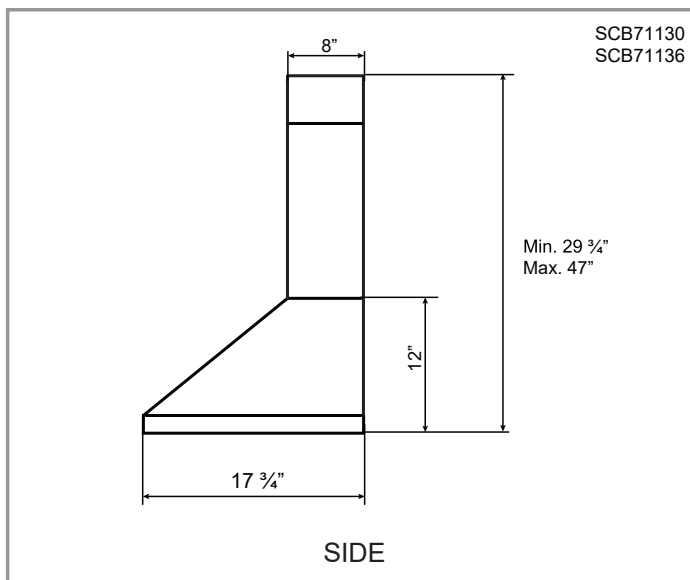
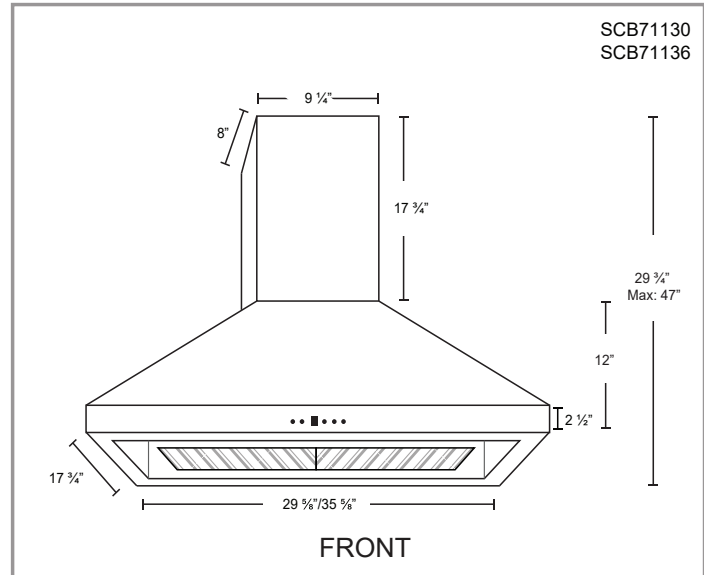
Cyclone Range Hoods Inc.

1361 Huntingwood Drive, Unit 16. Toronto, ON. M1S 3J1. Canada.

Toll Free: 1-888-293-5662 Tel: (416) 293-0933 Fax: (416) 293-4793 Website: www.CycloneRangeHoods.com

Features

- Wall mount range hood
- 6" round duct adapter
- Non-stick aluminum fan blades
- 3 speed push button control
- 2 LED lights (2 x 1.4W, 4000K)
- Quick release dishwasher-safe baffle filters
- Standard chimney fits up to 9 ft. ceiling
- Up to 9 minutes time-delay OFF feature
- Plug-in connection



Options

- Chimney Flues:
 - A1.CH10 - short (7'-8' ceilings)
 - A1.CH18 - standard (8'-9' ceilings)
 - A1.CH30 - extended (9'-11' ceilings)
- Widths: 30", 36"

Specifications

- | | | |
|--|--|--|
| <ul style="list-style-type: none"> ▪ Air Flow Volume: 650 CFM ▪ Electrical Connection: 120 V/60 Hz ▪ Power Consumption: 300 Watts | <ul style="list-style-type: none"> ▪ Current: 2.5 Amps ▪ Fan Speed: 1599 RPM ▪ Fan Type: Centrifugal Blower | <ul style="list-style-type: none"> ▪ Finishes: Stainless Steel ▪ Ducting: 6" Round ▪ Noise Level: Min. 2 Sones
Max. 7 Sones |
|--|--|--|

