

## SC(B)519

Strong and sturdy with attractive lines and an imposing frame, the SC(B)519 is fitted with a time-delay OFF feature of up to nine minutes, a 550 CFM fan, two bright front-mounted LED lights, and a digital three-speed push button control panel.

### Green Features



3 Speed Push  
Button Control



Long-lasting  
LED lights



Grease Cup



Time-Delay  
OFF Feature

### Features

- Wall mount range hood
- 6" round duct adapter
- Non-stick Aluminium fan blades
- 3 speed push button control
- 2 LED lights ( 2 x 1.4W, 4000K)
- Quick release Aluminium Mesh/ Stainless Steel Baffle filters
- Standard chimney flue fits upto 9 ft. ceiling
- Plug in connection

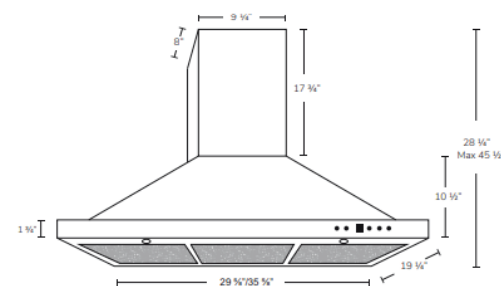
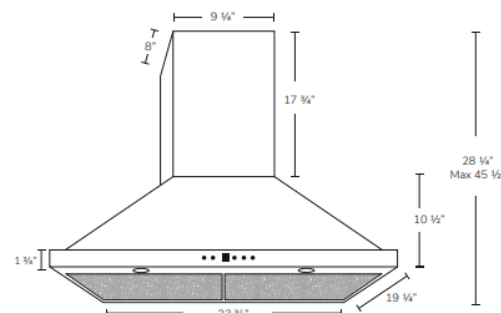
### Specifications

- Air Flow Volume: 550 CFM
- Electrical Connection: 120 V/60 Hz
- Power Consumption: 300 Watts
- Current: 2.5 Amps
- Fan Speed: 1599 RPM
- Fan Type: Centrifugal Blower
- Finishes: Stainless Steel
- Ducting: 6" Round
- Noise Level: Min. 2 Sones Max. 6 Sones

### Options

- Filters: Aluminium Mesh Filters, Baffle Filters
- Chimney Flues: A1.CH10 - short (7'-8' ceilings)  
A1.CH18 - standard (8'-9' ceilings)  
A1.CH30 - extended (9'-11' ceilings)
- Widths: 24", 30", 36"

**Cyclone** <sup>TM</sup>



Model	Colour	Ducting	Filters	Size	CFM
SC51924	Stainless Steel	6"	Mesh	24"	550
SC51930	Stainless Steel	6"	Mesh	30"	550
SC51936	Stainless Steel	6"	Mesh	36"	550
SCB51924	Stainless Steel	6"	Baffle	24"	550
SCB51930	Stainless Steel	6"	Baffle	30"	550
SCB51936	Stainless Steel	6"	Baffle	36"	550

Cyclone Range Hoods

www.CycloneRangeHoods.com

Toll free- 888.293.5662