

## SC(B)516

The SC(B)516 is a striking range hood, designed with an extra wide chimney flue (duct cover) to conceal off-centre ducting. The lights are located at the front of the hood to provide greater illumination and avoid drawing attention towards any imperfections in the backsplash.

## Green Features



3 Speed Push Button Control



Long-lasting LED lights



Grease Cup

## Features

- Wall mount range hood
- 6" round duct adapter
- Non-stick Aluminium fan blades
- 3 speed push button control
- 2 LED lights ( 2 x 1.4W, 4000K)
- Quick release Stainless Steel baffle filters
- Standard chimney flue fits upto 9 ft. ceiling
- Plug in connection
- Fitted with a time-delay OFF feature

## Specifications

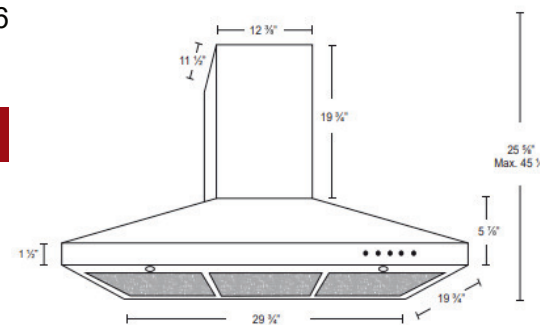
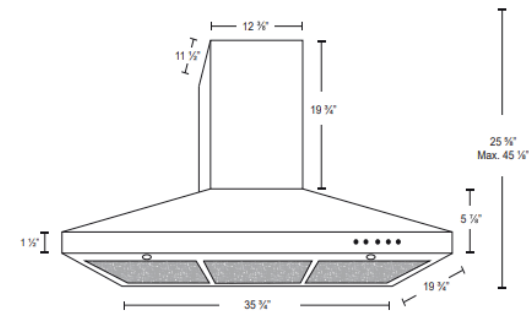
- Air Flow Volume: 550 CFM
- Electrical Connection: 120 V/60 Hz
- Power Consumption: 300 Watts
- Current: 2.5 Amps
- Fan Speed: 1599 RPM
- Fan Type: Centrifugal Blower
- Finishes: Stainless Steel, Matte Black
- Ducting: 6" Round
- Noise Level: Min. 2 Sones Max. 6 Sones

## Options

- Finishes: Stainless Steel, Matte Black
- Chimney Flues: B3.CH13 - short (7'-8' ceilings)  
B3.CH20 - standard (8'-9' ceilings)  
B3.CH32 - extended (9'-11' ceilings)
- Widths: 30", 36"

Model	Colour	Ducting	Filters	Size	CFM
SCB51630SS	Stainless Steel	6"	Baffle	30"	550
SCB51636SS	Stainless Steel	6"	Baffle	36"	550
SCB51630MB	Matte Black	6"	Baffle	30"	550
SCB51636MB	Matte Black	6"	Baffle	36"	550

**Cyclone** <sup>TM</sup>



Cyclone Range Hoods

www.CycloneRangeHoods.com

Toll free- 888.293.5662