



Wall Mount

Our most popular and best-selling model, the SC300, has been redesigned to have the bright dual-setting LED lights on the front of the range hood to better illuminate your cooking surface where you need it most. The relocation of the lights will not only improve illumination over your cooktop it also helps hide any imperfections in your backsplash finish. The lighting being in the front of the hood will help the tortured perfectionists out there to avoid any reminders that even the most skilled tilers cannot always avoid having slight imperfections. This small change may seem superficial but will make a huge difference for all involved and can help keep your project under budget. As they say in the business...."it's all in the finishing!"

Green Features



3 Speed Push Button Control Panel



Long-Lasting LED Lights



Time-Delay OFF Feature



Grease Cup



Model	Colour	Ducting	Filters	Size	CFM
SC31924	Stainless Steel	6"	Mesh	24"	300
SC31930	Stainless Steel	6"	Mesh	30"	300
SC31936	Stainless Steel	6"	Mesh	36"	300
SCB31924	Stainless Steel	6"	Baffle	24"	300
SCB31930	Stainless Steel	6"	Baffle	30"	300
SCB31936	Stainless Steel	6"	Baffle	36"	300

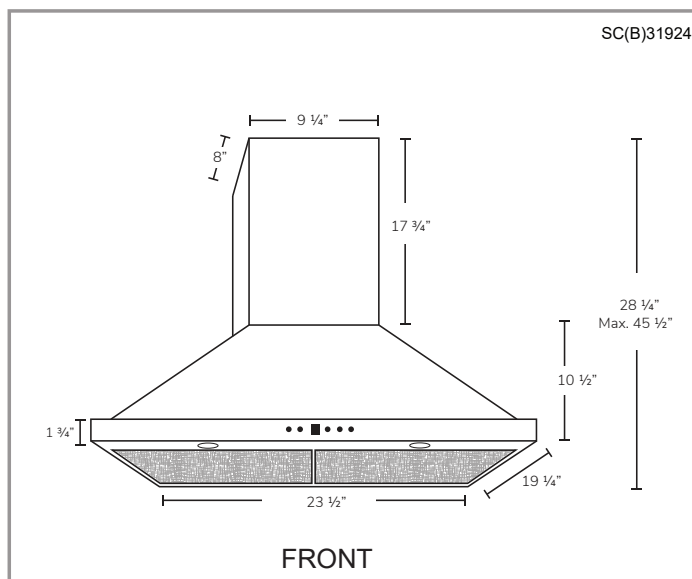
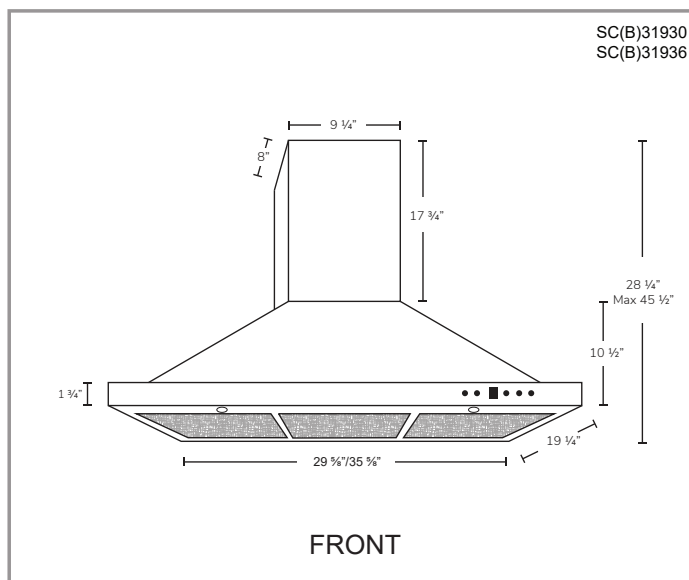
Cyclone Range Hoods Inc.

1361 Huntingwood Drive, Unit 16. Toronto, ON. M1S 3J1. Canada.

Toll Free: 1-888-293-5662 Tel: (416) 293-0933 Fax: (416) 293-4793 Website: www.CycloneRangeHoods.com

Features

- Wall mount range hood
- 6" round duct adapter
- Non-stick aluminum fan blades
- 3 speed push button control
- 2 LED lights (2 x 1.4W, 4000K)
- Quick release aluminum mesh filters
- Standard chimney fits up to 9 ft. ceiling
- Up to 9 minutes time-delay OFF feature
- Plug-in connection



Options

- Filters:
 - SC319 - Quick Release Aluminum Mesh Filters
 - SCB319 - Quick Release Stainless Steel Baffle Filters
- Chimney Flues:
 - A1.CH10 - short (7'-8' ceilings)
 - A1.CH18 - standard (8'-9' ceilings)
 - A1.CH30 - extended (9'-11' ceilings)
- Widths: 24", 30", 36"

Specifications

- | | | |
|--|--|--|
| <ul style="list-style-type: none"> • Air Flow Volume: 300 CFM • Electrical Connection: 120 V/60 Hz • Power Consumption: 300 Watts | <ul style="list-style-type: none"> • Current: 2.5 Amps • Fan Speed: 1350 RPM • Fan Type: Centrifugal Blower | <ul style="list-style-type: none"> • Finishes: Stainless Steel • Ducting: 6" Round • Noise Level: Min. 2 Sones
Max. 4 Sones |
|--|--|--|

