

SC(B)510 | ALITO Collection



Mesh Filter



Baffle Filter

Wall Mount

The SC(B)510 is sure to draw the attention of your guests with its unique style and design, lending an air of sophistication and luxury to your kitchen. This range hood is an excellent complement to an upscale modern kitchen environment. Fitted with time-delay OFF feature up to nine minutes, bright LED lights spaced for optimum light distribution and a digital three-speed push button control panel.



Green Features



3 Speed Push Button Control Panel



Long-Lasting LED Lights



Time-Delay OFF Feature



Grease Cup

Model	Colour	Ducting	Filters	Size	CFM
SC51030	Stainless Steel	6"	Mesh	30"	550
SC51036	Stainless Steel	6"	Mesh	36"	550
SCB51030	Stainless Steel	6"	Baffle	30"	550
SCB51036	Stainless Steel	6"	Baffle	36"	550

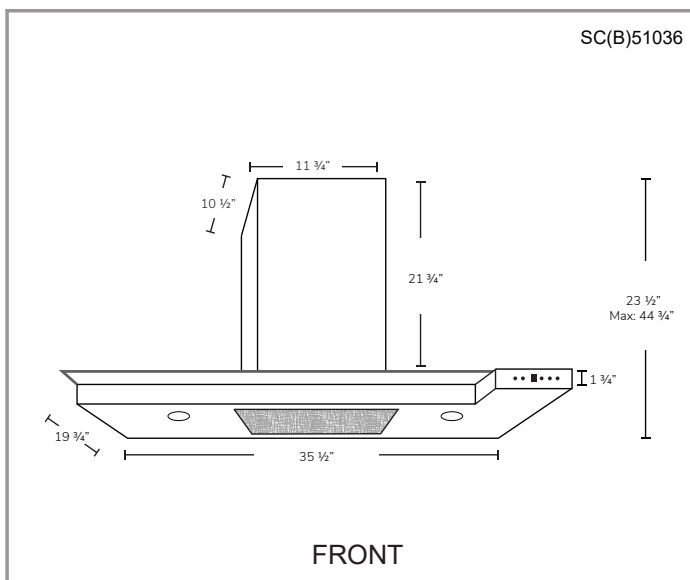
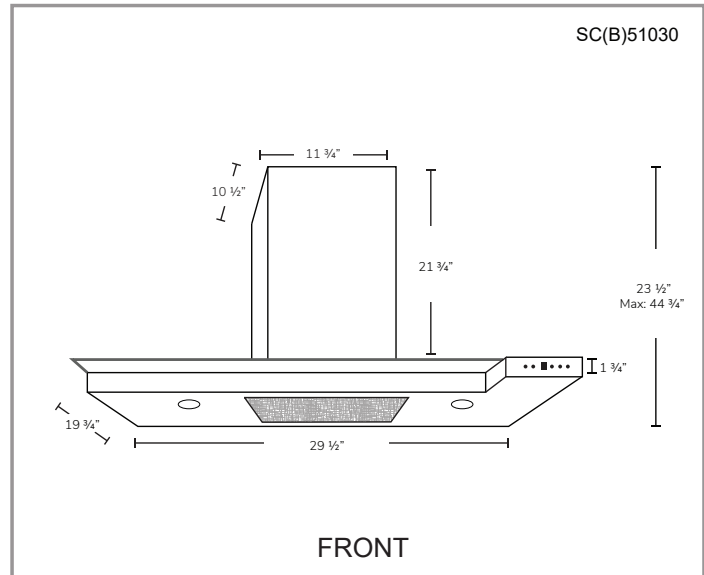
Cyclone Range Hoods Inc.

1361 Huntingwood Drive, Unit 16. Toronto, ON. M1S 3J1. Canada.

Toll Free: 1-888-293-5662 Tel: (416) 293-0933 Fax: (416) 293-4793 Website: www.CycloneRangeHoods.com

Features

- Wall mount range hood
- 6" round duct adapter
- Non-stick aluminum fan blades
- 3 speed push button control
- 2 LED lights (2 x 1.4W, 4000K)
- Quick release aluminum mesh filters
- Standard chimney fits up to 9 ft. ceiling
- Up to 9 minutes time-delay OFF feature
- Plug-in connection



Options

- Filters:
 - SC510 - Quick Release Aluminum Mesh Filter
 - SCB510 - Quick Release Stainless Steel Baffle Filter
- Chimney Flues:
 - B2.CH16 - short (7'-8' ceilings)
 - B2.CH22 - standard (8'-9' ceilings)
 - B2.CH32 - extended (9'-11' ceilings)
- Widths: 30", 36"

Specifications

- | | | |
|--|--|--|
| <ul style="list-style-type: none"> • Air Flow Volume: 550 CFM • Electrical Connection: 120 V/60 Hz • Power Consumption: 300 Watts | <ul style="list-style-type: none"> • Current: 2.5 Amps • Fan Speed: 1599 RPM • Fan Type: Centrifugal Blower | <ul style="list-style-type: none"> • Finishes: Stainless Steel • Ducting: 6" Round • Noise Level: Min. 2 Sones
Max. 6 Sones |
|--|--|--|

