

# SC(B)322 | PRO Collection



24" Width Model



Mesh Filter



Baffle Filter

## Wall Mount

Designed with an emphasis on the beauty of simplicity, the straightforward design of this model blends seamlessly with a modern kitchen environment. Features 300 CFM of drawing power, two LED lights at the front of the machine, and fitted with a time-delay OFF feature up to nine minutes.

## Green Features



3 Speed Push Button Control Panel



Long-Lasting LED Lights



Time-Delay OFF Feature



Grease Cup



Note: shown integrated into cabinet.

Model	Colour	Ducting	Filters	Size	CFM
SC32224	Stainless Steel	6"	Mesh	24"	300
SC32230	Stainless Steel	6"	Mesh	30"	300
SC32236	Stainless Steel	6"	Mesh	36"	300
SCB32224	Stainless Steel	6"	Baffle	24"	300
SCB32230	Stainless Steel	6"	Baffle	30"	300
SCB32236	Stainless Steel	6"	Baffle	36"	300

### Cyclone Range Hoods Inc.

1361 Huntingwood Drive, Unit 16. Toronto, ON. M1S 3J1. Canada.

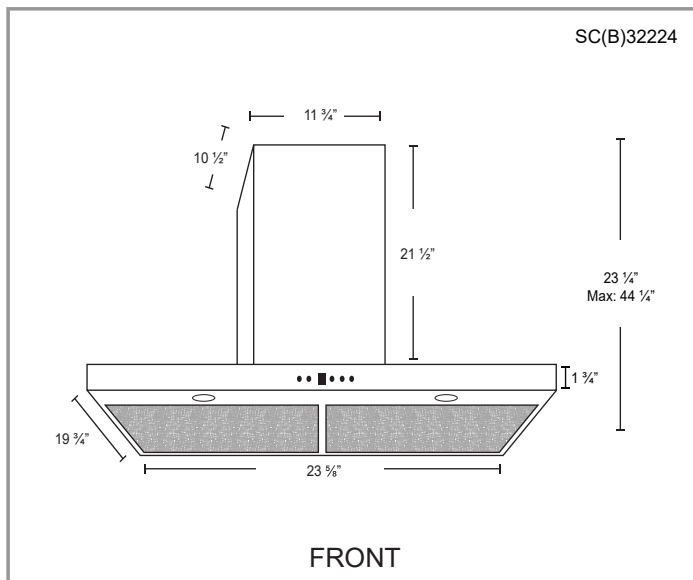
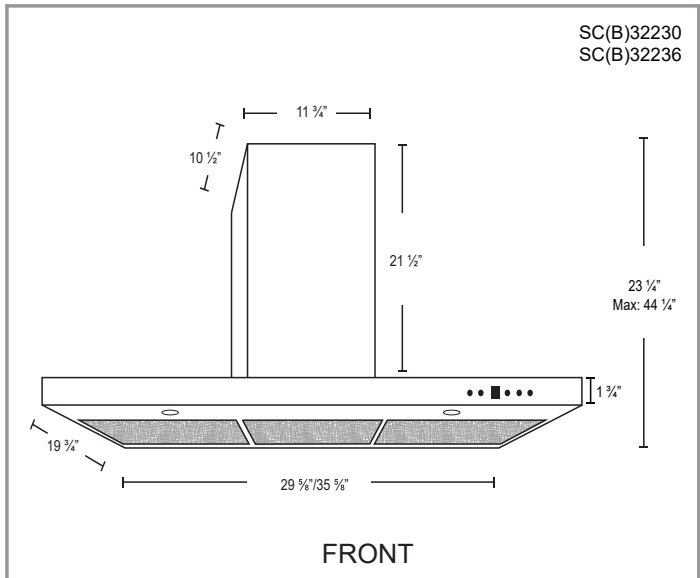
Toll Free: 1-888-293-5662 Tel: (416) 293-0933 Fax: (416) 293-4793 Website: [www.CycloneRangeHoods.com](http://www.CycloneRangeHoods.com)

# SC(B)322 | PRO Collection



## Features

- Wall mount range hood
- 6" round duct adapter
- Non-stick aluminum fan blades
- 3 speed push button control
- 2 LED lights (2 x 1.4W, 4000K)
- Quick release aluminum mesh filters
- Standard chimney fits up to 9 ft. ceiling
- Up to 9 minutes time-delay OFF feature
- Plug-in connection



## Options

- Filters:
  - SC322 - Quick Release Aluminum Mesh Filters
  - SCB322 - Quick Release Stainless Steel Baffle Filters
- Chimney Flues:
  - B2.CH16 - short (7'-8' ceilings)
  - B2.CH22 - standard (8'-9' ceilings)
  - B2.CH32 - extended (9'-11' ceilings)
- Widths: 24", 30", 36"

## Specifications

- Air Flow Volume: 300 CFM
- Electrical Connection: 120 V/60 Hz
- Power Consumption: 300 Watts
- Current: 2.5 Amps
- Fan Speed: 1350 RPM
- Fan Type: Centrifugal Blower
- Finishes: Stainless Steel
- Ducting: 6" Round
- Noise Level: Min. 2 Sones  
Max. 4 Sones

