

# NA940D | CLASSIC Collection

**Cyclone**<sup>®</sup>  
Breathe Better



White



Black



Stainless Steel

## Undermount

Keep the air in your home fresh and clean with Cyclone's sleek and powerful all-new under mount, the NA940D. Features an efficient 680 CFM motor with adjustable speeds to whisk away grease, cooking odours and harmful moisture. The fan is encased in a tasteful frame to complement your other appliances and is fitted with round and rectangular vents on the top and another rectangular vent on the back to conveniently accommodate almost any kitchen installation.

## Green Features



Grease Cup



2 Speed  
Rocker Switch  
Control Panel



Dishwasher Safe  
Components



Model	Colour	Ducting	Size	CFM
NA940DW	White	6"	30"	680
NA940DB	Black	6"	30"	680
NA940DSS	Stainless Steel	6"	30"	680

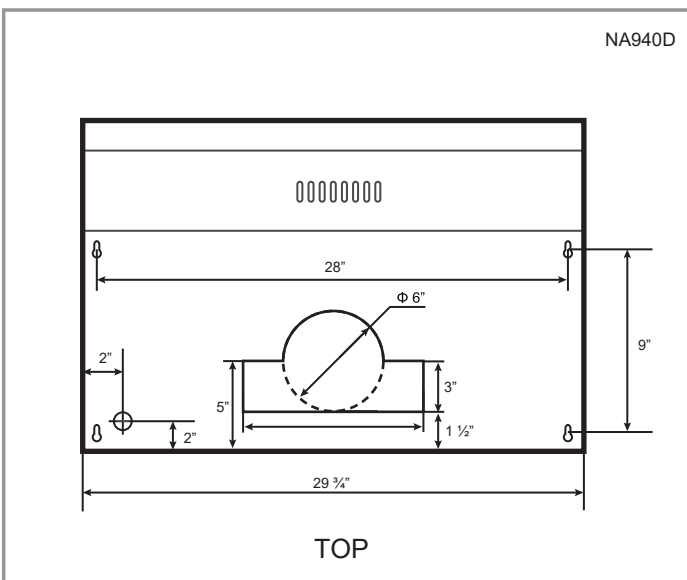
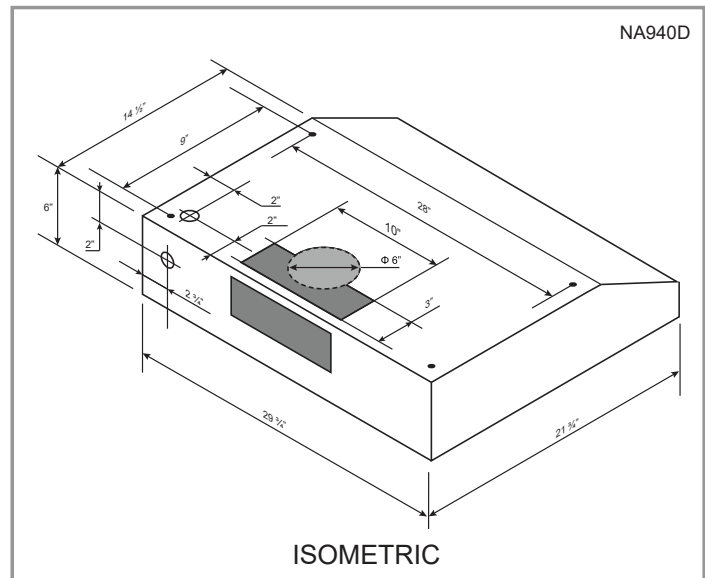
### Cyclone Range Hoods Inc.

1361 Huntingwood Drive, Unit 16. Toronto, ON. M1S 3J1. Canada.

Toll Free: 1-888-293-5662 Tel: (416) 293-0933 Fax: (416) 293-4793 Website: [www.CycloneRangeHoods.com](http://www.CycloneRangeHoods.com)

## Features

- Undermount range hood
- 3 ¼" x 10" rectangular damper
- Non-stick aluminum fan blades
- 2 speed rocker switch control panel
- 1 CFL Lamp (1 x 13W E26) not included
- Hard-wire connection



## Options

- Finishes: White  
Black  
Stainless Steel

## Specifications

- Air Flow Volume: 680 CFM
- Electrical Connection: 120 V/60 Hz
- Power Consumption: 288 Watts
- Current: 2.4 Amps
- Fan Speed: 1600 RPM
- Fan Type: Dual Axial Blower
- Finishes: White, Black, Stainless Steel
- Duct: 6" Round
- Noise Level: Min. 2 Sones  
Max. 7 Sones
- Knock-out:  
3 ¼" x 10" Rectangular (Top or Rear)  
6" Circular (Top only)

