



Wall Mount

Each individual piece is a unique work of functional art. The first release of Cyclone's brand new line of luxury decorative hoods is a blend of old world craftsmanship with modern high performance. Absolutely stunning decorative hoods, each uniquely hand-crafted with incredible metal work and fully customizable options, including design and materials. Each piece is uniquely crafted to become a highly functional piece of art. Our current offerings allow semi-custom finishes so you can choose your desired width, power and finishing materials from matte black, satin stainless steel and designer white. The strappings are available in chrome or brass and rivets to match. The custom finishes will tie all your accent pieces together completing the ultimate luxury kitchen.

Green Features



3 Speed
Push Button
Control Panel



Dishwasher Safe
Baffle Filters



Time-Delay
OFF Feature



Long-Lasting
LED Lights



Model	Colour	Ducting	Filters	Size	CFM
DCB40636WHB	White/Brass	8"	Baffle	36"	600
DCB40642WHB	White/Brass	8"	Baffle	42"	600
DCB40648WHB	White/Brass	8"	Baffle	48"	600
DCB40936WHB	White/Brass	8"	Baffle	36"	900
DCB40942WHB	White/Brass	8"	Baffle	42"	900
DCB40948WHB	White/Brass	8"	Baffle	48"	900
DCB401236WHB	White/Brass	8"	Baffle	36"	1200
DCB401242WHB	White/Brass	8"	Baffle	42"	1200
DCB401248WHB	White/Brass	8"	Baffle	48"	1200

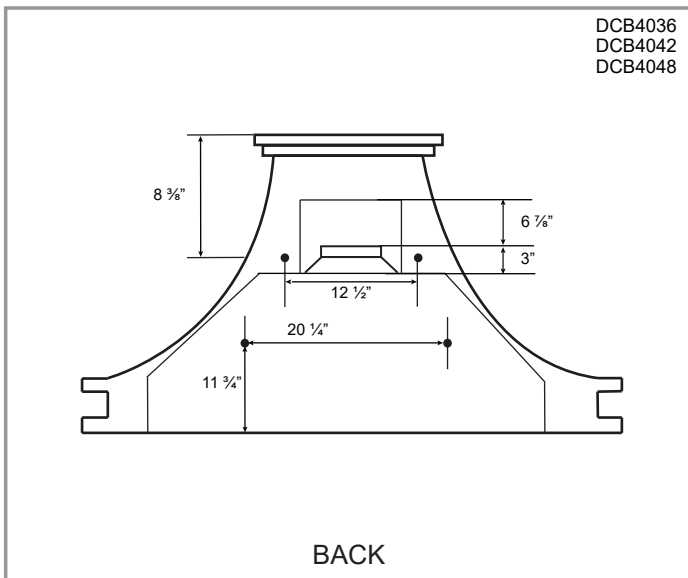
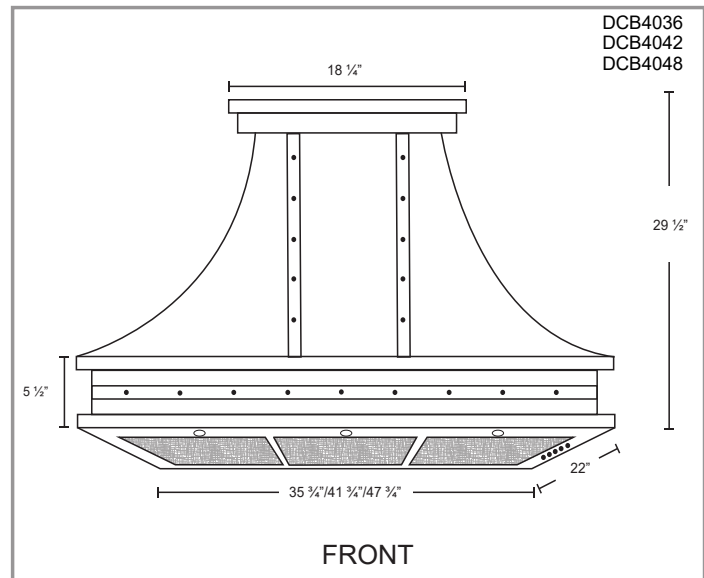
Cyclone Range Hoods Inc.

1361 Huntingwood Drive, Unit 16. Toronto, ON. M1S 3J1. Canada.

Toll Free: 1-888-293-5662 Tel: (416) 293-0933 Fax: (416) 293-4793 Website: www.CycloneRangeHoods.com

Features

- Wall mount range hood
- 8" round duct adapter
- Non-stick aluminum fan blades
- 3 speed push button control
- 3 LED lights (3 x 1.4W, 4000K)
- Dishwasher-safe baffle filters
- 3 minutes time-delay OFF feature
- Plug-in connection



Options

- Widths: 36", 42", 48"
- Finishes: White/Brass

Specifications

- | | | |
|--------------------------------------|--------------------------------|---|
| • Air Flow Volume: 600/900/1200 CFM | • Current: 2.5 Amps | • Finishes: White/Brass |
| • Electrical Connection: 120 V/60 Hz | • Fan Speed: 1599 RPM | • Ducting: 8" Round |
| • Power Consumption: 300 Watts | • Fan Type: Centrifugal Blower | • Noise Level: Min. 2 Sones
Max. 7 Sones |

