



Insert

Cyclone's newest insert, the BXB609 is discreet and quiet yet powerful enough to leave a distinct impression. Powered at 900 CFM it is well-suited for high heat cooking. Fitted with dishwasher safe stainless steel baffle filters. Comes equipped with three speeds push buttons and two bright LED lights for total control. The sleek BXB609 range hood cannot be seen from eye level, as it is designed to fit into your custom wood canopy.

Green Features



3 Speed Push Button
Control Panel



Dishwasher Safe
Baffle Filters



Long-lasting
LED Light Bulbs

Model	Colour	Ducting	Filters	Size	CFM	Fits Cabinet
BXB60934	Stainless Steel	8"	Baf fle	34"	900	36"
BXB60940	Stainless Steel	8"	Baf fle	40"	900	42"
BXB60946	Stainless Steel	8"	Baf fle	46"	900	48"

Cyclone Range Hoods Inc.

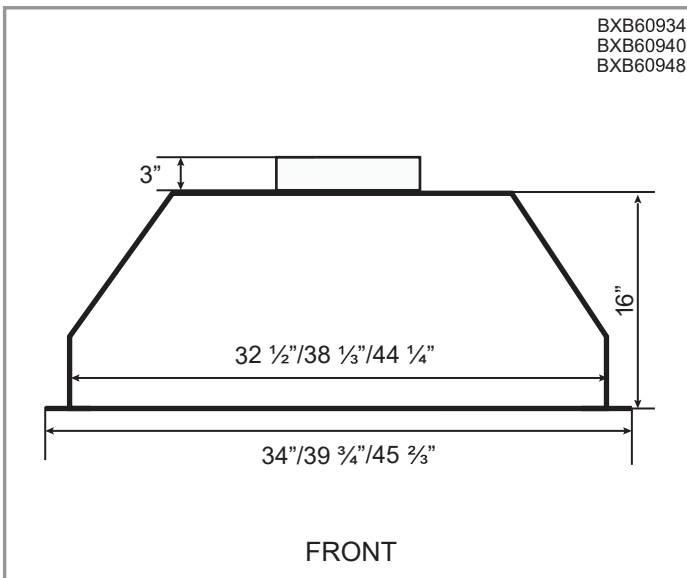
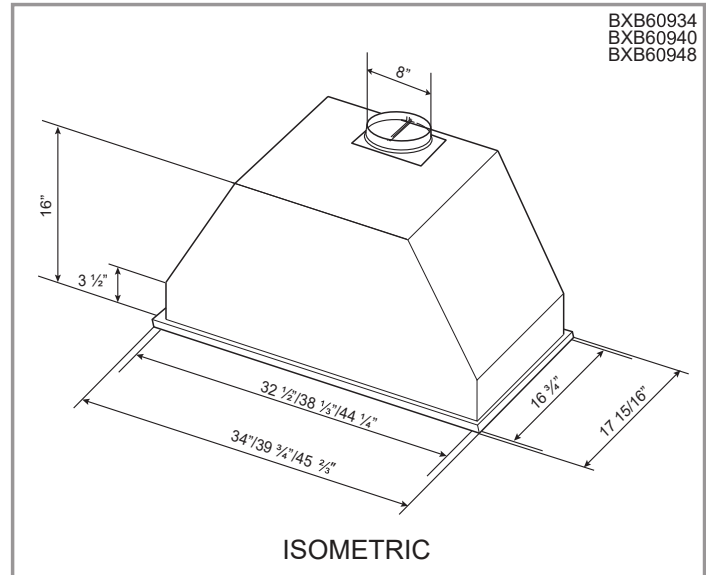
1361 Huntingwood Drive, Unit 16. Toronto, ON. M1S 3J1. Canada.

Toll Free: 1-888-293-5662 Tel: (416) 293-0933

Fax: (416) 293-4793 Website: www.CycloneRangeHoods.com

Features

- Insert range hood
- 8" round duct adapter
- Non-stick aluminum fan blades
- 3 speed push button control
- Quick release dishwasher-safe baffle filters
- 3 LED lights (3 x 1.4W, 4000K)
- 3 minutes time-delay OFF feature
- Plug-in connection



Options

- Widths: 34", 40", 46"

Specifications

- Air Flow Volume: 900 CFM
- Electrical Connection: 120 V/60 Hz
- Power Consumption: TBD

- Current: TBD
- Fan Speed: TBD
- Fan Type: Centrifugal Blower

- Finishes: Stainless Steel
- Ducting: 8" Round
- Noise Level: Min. TBD
Max. TBD

