

CM24M365BB- OTR

Enjoy consistently delicious dishes with Cyclone's 24" OTR microwave. Its compact size suits any kitchen, housing a spacious 13.5" glass turntable. The Sensor cook function adjusts settings automatically, complemented by a quiet 300 CFM venting system for smoke and moisture removal. Enhanced with LED lights, 9 pre-set menus, and a convenient "add 30 seconds" button.

Cyclone TM



Features



9 Preset
Cooking Settings



Range Hood with
Grease &
Charcoal Filters



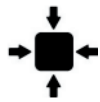
Sensor Cooking



1000Watt Output



10 Level Power



24" wide, fits in
any size kitchen



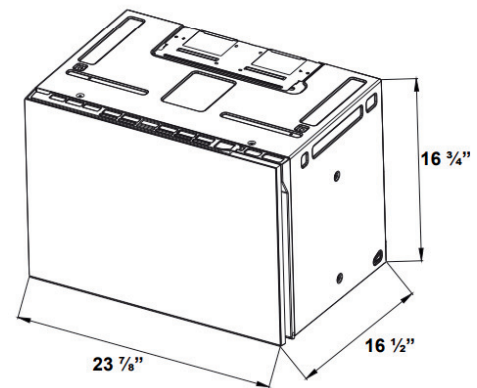
Timer and Digital
Clock



2 years warranty



- Glass full-touch control panel
- Dual venting (to outside with grease filters or recirculating with charcoal filter), both filters included
- 10 power levels for precise cooking
- 3 sensor cooking modes
- 9 pre-set cooking settings
- 5 pre-set reheat settings
- 4 pre-set defrost settings
- 2 speed (High-Low-Off) venting system
- Easy-clean interior with "Diamondback" wall design for even heating
- Stylish "pocket handle" integrated into the door for a clean look
- 2 LED cooktop lighting levels
- "Add 30 seconds" button
- "Turntable ON/OFF" option for extra large dishes
- "Child safety lock" feature
- LED interior lighting
- Built-in kitchen countdown timer with alarm and digital clock



Model	Finish	Ducting	Filters	Size	CFM
CM24M365BB	Black	6" round	Mesh	24"	300



Specifications

Cyclone TM

- Air Flow Volume: 300 CFM
- Power Output: 1000 Watts
- Oven Capacity: 1.4 Cu. ft.
- Turntable Size: 13.5 inches
- Electrical Connection: 120V/ 60 Hz
- Noise Level: Max. 8 sones
- Current: 12.5 Amps
- Ducting: 6" round (Top only)
- Finish: Black



Cyclone Range Hoods

www.CycloneRangeHoods.com

Toll free- 888.293.5662