

DISHWASHER
USE AND CARE GUIDE

CLEANING, MAINTENANCE, AND MORE



Contents

- 3 Safety Precautions
- 4 Dishwasher Features
- 5 Dishwasher Operation
- 15 Care Recommendations
- 17 Troubleshooting
- 19 Cove Warranty

Customer Care

The model and serial number are printed on the enclosed product registration card. Both numbers are also listed on the product rating plate. Refer to page 4 for rating plate location. For warranty purposes, you will also need the date of installation and name of your authorized Cove dealer. Record this information below for future reference.

SERVICE INFORMATION

Model Number	_____
Serial Number	_____
Date of Installation	_____
Certified Service Name	_____
Certified Service Number	_____
Authorized Dealer	_____
Dealer Number	_____

If your product ever needs attention, be sure to use a Cove Factory Certified Service provider recommended by our Customer Care Center, or select one from our list of providers available at coveappliance.com/locator. All Factory Certified Service providers are carefully selected and thoroughly trained by us.

Important Note

To ensure this product is installed and operated as safely and efficiently as possible, take note of the following types of highlighted information throughout this guide:

IMPORTANT NOTE highlights information that is especially important.

CAUTION indicates a situation where minor injury or product damage may occur if instructions are not followed.

WARNING states a hazard that may cause serious injury or death if precautions are not followed.

IMPORTANT NOTE: Throughout this guide, dimensions in parentheses are millimeters unless otherwise specified.

IMPORTANT INSTRUCTIONS

IMPORTANT SAFETY INSTRUCTIONS

⚠ WARNING

When using your dishwasher, follow basic precautions, including the following:


- Read all instructions before using the dishwasher.
- Use the dishwasher only for its intended function.
- Certified residential dishwashers are not intended for licensed food establishments.
- Use only detergents or wetting agents recommended for use in a dishwasher and keep them out of the reach of children.
- When loading items to be washed, locate sharp items so they are not likely to damage the door seal, and load sharp knives with the handles up to reduce the risk of injuries.
- Do not wash plastic items unless they are marked “dishwasher safe” or the equivalent. For unmarked plastic items, check the manufacturer’s recommendations.
- Do not touch the heating element during or immediately after use.
- Do not tamper with controls.
- Do not operate your dishwasher unless all enclosure panels are properly in place.
- Do not abuse, sit on, or stand on the door or dish rack of the dishwasher.
- To avoid a tripping hazard, do not leave the dishwasher door open.
- To reduce the risk of injury, do not allow children to play in or on a dishwasher.

- Under certain conditions, hydrogen gas may be produced in a hot water system that has not been used for two or more weeks. **HYDROGEN GAS IS EXPLOSIVE.** If the hot water system has not been used for two or more weeks, before using the dishwasher, turn on all hot water faucets and let the water flow from each for several minutes. This releases any accumulated hydrogen gas. As the gas is flammable, do not smoke or use an open flame during this time.
- Only wash cycles with the Sani Rinse option selected have been designed to meet the NSF/ANSI 184 performance standard for soil removal and sanitization efficacy. There is no intention, either directly or indirectly, that all cycles on a certified machine have passed the sanitization performance test.
- Remove the door to the washing compartment when removing an old dishwasher from service or discarding it.
- Any opening into the adjacent cabinet must meet the following: the longest dimension of the opening shall not be more than 1¹/₂" (38).

⚠ WARNING

PROPOSITION 65 FOR CALIFORNIA RESIDENTS
Cancer and Reproductive Harm—
www.P65Warnings.ca.gov

⚠ WARNING

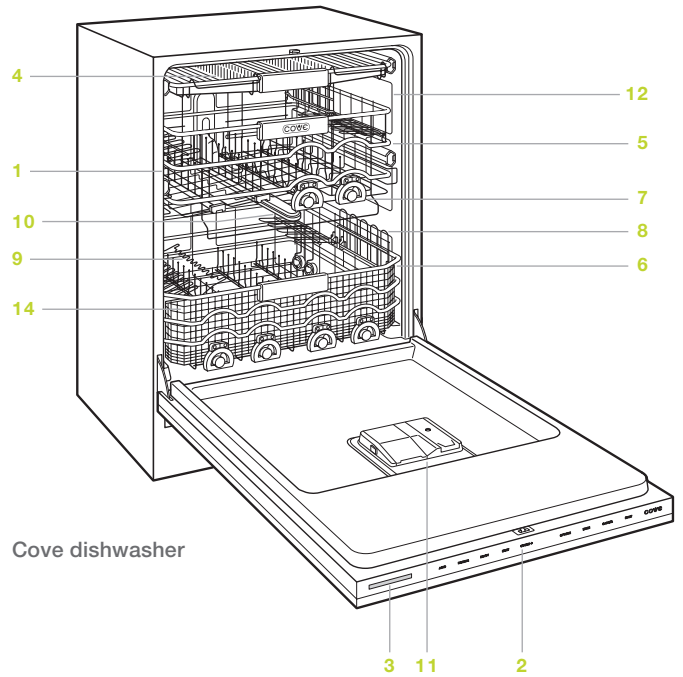
 **DANGEROUS VOLTAGE.**

SAVE THESE INSTRUCTIONS

Dishwasher Features

FEATURES

1	Product Rating Plate
2	Hidden Control Panel
3	Control Panel Display
4	Removable Upper Silverware Rack
5	Height-Adjustable Middle Rack
6	Lower Rack
7	Fold-Down Tine Adjustment
8	Fold-Down Shelf
9	Stemware Cradle
10	Middle Spray Arm
11	Detergent/Rinse Aid Dispenser
12	LED Lit Interior
13	Status Light (right side, below door)
14	Lower Rack Utensil Baskets (not shown)



Getting Started

We know you are eager to start using your Cove dishwasher, but before you do, please take some time to read this use and care guide. It will be to your benefit to familiarize yourself with the safety practices, features, operation, and care recommendations of your Cove dishwasher.

NOTE: Every unit is tested prior to shipment and may contain residual water.

Prior to Use

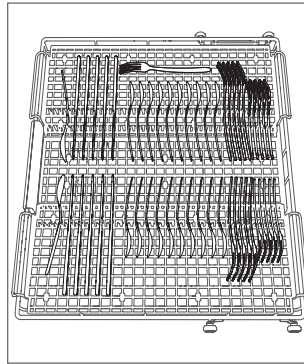
For softener models only, use the test strip provided to determine the water hardness. Refer to User Setup on page 9 to adjust the hardness setting.

Fill the salt compartment with water prior to adding salt for the first time. Refer to Water Softener on page 15 for more information.

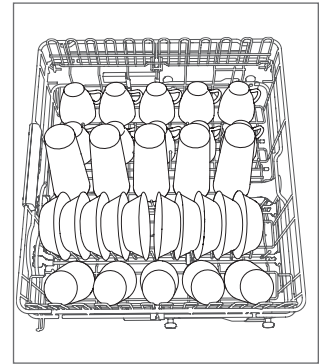
Plate Arrangement

The illustrations below show typical arrangement for the upper, middle, and lower racks. The adjustable middle rack was AHAM tested in the top position.

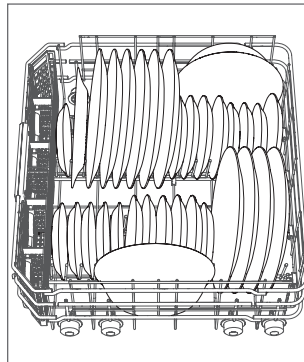
NOTE: The spray arms must rotate freely before starting a wash cycle.



Upper silverware rack



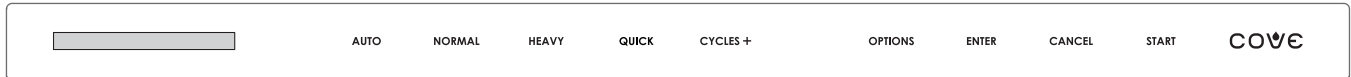
Middle rack



Lower rack

Dishwasher Operation

CONTROL PANEL



Control panel

WASH CYCLES

Setting a wash cycle:

- 1 Touch the desired wash cycle or touch Cycles+ multiple times to scroll to the desired wash cycle.
- 2 Touch Start and close the door within 4 seconds.

NOTE: To incorporate a cycle option to the wash cycle, touch Options before touching Start. Refer to Cycle Options. To change the cycle after touching Start, touch Cancel.

CYCLE OPTIONS

OPTION	DESCRIPTION
Delay Start	Delays the start of the wash cycle by 1–12 hours in 1-hour increments.
High Temp Wash	Increases the main wash water temperature and extends the cycle time by 10 minutes.
Sani Rinse*	Increases the rinse water temperature and extends the rinse time by 15 minutes.
Extended Dry	Extends the dry time by 30 minutes.
Extra Dry	Increases the rinse water temperature and extends the dry time by 30 minutes.
Top Racks Only	Directs wash functions to upper and middle racks only.

*Sanitizes per NSF/ANSI standard 184 for residential dishwashers.

Setting cycle options:

- 1 Select the desired wash cycle.
- 2 Touch Options.
- 3 Touch Options multiple times to scroll through cycle options.
- 4 Touch Enter to select the desired option and continue to touch Enter until the desired setting appears on the display.
- 5 Touch Options again to select additional options.
- 6 Touch Start and close the door within 4 seconds.

To interrupt a cycle:

- 1 Open the door.
- 2 To restart the cycle, touch Start and close the door within 4 seconds.

To cancel a cycle:

- 1 Open the door.
- 2 Touch Cancel and follow the instructions on the display.

Dishwasher Operation

WASH CYCLES

CYCLE	CYCLE TIME*	DRY TIME	WATER USAGE	DETERGENT**	OPTIONS
AUTO	2:07 to 3:55	:40	4.0 to 8.4 gal	2 tbsp	Delay Start, High Temp Wash, Sani Rinse, Extended Dry, Extra Dry, Top Racks Only
NORMAL	2:40	:40	3.0 to 8.3 gal	2 tbsp	Delay Start, High Temp Wash, Sani Rinse, Extended Dry, Extra Dry, Top Racks Only
HEAVY	3:25	:40	7.3 gal	2 tbsp	Delay Start, High Temp Wash, Sani Rinse, Extended Dry, Extra Dry
QUICK***	:58	:10	3.3 gal	1/2 tbsp	Extra Dry, Top Racks Only

CYCLES+	CYCLE TIME*	DRY TIME	WATER USAGE	DETERGENT**	OPTIONS
POTS & PANS	3:55	:40	8.4 gal	2 tbsp	Delay Start, High Temp Wash, Sani Rinse, Extended Dry, Extra Dry
SOAK & SCRUB	5:35	:40	8.5 gal	2 tbsp	Delay Start, High Temp Wash, Sani Rinse, Extended Dry, Extra Dry
LIGHT***	1:53	:15	3.0 gal	2 tbsp	Delay Start, High Temp Wash, Sani Rinse, Extended Dry, Extra Dry, Top Racks Only
CHINA/CRYSTAL	1:58	:40	3.0 gal	1/2 tbsp	Delay Start, Extended Dry, Top Racks Only
RINSE/HOLD	:15	:00	2.2 gal	0 tbsp	
PLASTICS	2:32	:45	3.0 gal	1 tbsp	Delay Start, High Temp Wash, Sani Rinse, Extended Dry, Extra Dry
ENERGY	2:08	:40	2.9 gal	2 tbsp	Delay Start, Extended Dry
EXTRA QUIET	2:50	:40	4.4 gal	2 tbsp	Delay Start, Extended Dry, Extra Dry, Top Racks Only

*Includes dry time. **Powdered detergent. ***Shortened cycle time impacts drying performance.

Dishwasher Operation

CYCLE DESCRIPTION

CYCLE	DESCRIPTION
AUTO	For all soil levels. Automatically adjusts to the optimal wash time, water temperature, and water consumption.
NORMAL	For normally soiled dishes from typical daily use. Average wash time, water temperature and water consumption.
HEAVY	For heavily soiled dishes. Slightly increases wash time, water temperature, and water consumption.
QUICK	For lightly soiled dishes. Reduces overall wash time.

CYCLES+	DESCRIPTION
POTS & PANS	For heavily soiled pots, pans, and casserole dishes. Increases wash time and slightly increases water temperature and consumption.
SOAK & SCRUB	For the most heavily soiled dishes. Significantly increases wash time and slightly increases water temperature and consumption.
LIGHT	For very lightly soiled dishes. Reduces wash time and temperature.
CHINA/CRYSTAL	For temperature sensitive and lightly soiled dishes. Decreases cycle temperatures.
RINSE/HOLD	For all soil levels. Rinses and holds dishes for a future wash cycle.
PLASTICS	For heavily to lightly soiled dishes. Increases final rinse water temperature and increases drying fan time to increase plastic drying performance.
ENERGY	For regularly soiled dishes. Decreases water temperature and extends cycle time to reduce energy consumption. Decreases water temperature and extends cycle time.
EXTRA QUIET	For lightly soiled dishes. Reduces pump speeds.

Dishwasher Operation

USER SETUP

The user setup feature allows the user to select preferences as listed in the chart below.

USER OPTIONS

Language	Select language.
Water Hardness	Adjust water hardness setting.
Connect?	Turn connect on or off.*
Tone Level	Adjust tone level.
Notification	Turn end-of-cycle chime on or off.
Scroll Rate	Adjust display scroll rate.
Display Contrast	Adjust display contrast.
Display Brightness	Adjust display brightness.
Floor Light	Adjust status light brightness.
Rinse Aid Dosing	Adjust amount of rinse aid dispensed.
Showroom Mode	For showroom use only.
Reset All	Restore factory settings.

**To connect to the Sub-Zero Group Owners App, connect must be turned on.*

Setting user options:

- 1 Touch Cancel twice.
- 2 Touch and hold Options for approximately 3 seconds until “User Set Up” appears on the display.
- 3 Touch Options multiple times to scroll to the desired option.
- 4 Touch Enter to scroll or to select the desired setting.
- 5 Touch Cancel to exit user setup.

WATER HARDNESS

For water softener models only, use the test strip provided and the chart below to determine the appropriate water hardness setting. Refer to the chart below to determine the water hardness setting.

SETTING	HARDNESS
0 (Default)	0–4 gpg
1	5–6 gpg
2	7–8 gpg
3	9–11 gpg
4	12–13 gpg
5	14–15 gpg
6	16–17 gpg
7	18–19 gpg
8	20–22 gpg
9	23–24 gpg
10	25+ gpg

Child Lock

The child lock feature prevents unwanted control panel operation. The lock feature will remain on even after a power outage.

To turn the child lock feature on or off:

- 1 To turn on, touch and hold Heavy for approximately 10 seconds until “Child Lock: On” appears on the display. “Locked” will appear on the display until the child lock is turned off.
- 2 To turn off, touch and hold Heavy for approximately 10 seconds until “Child Lock: Off” appears on the display.

IMPORTANT NOTE: Child lock and Sabbath feature cannot be turned on at the same time.



Sabbath

This appliance is certified by Star-K to meet strict religious regulations in conjunction with specific instructions found on www.star-k.org.

The Sabbath feature will remain on even after a power outage.

To turn the Sabbath feature on or off:

- 1 To turn on, touch and hold Quick for approximately 10 seconds until “Sabbath” appears on the display. “Sabbath” will appear on the display until the Sabbath feature is turned off.
- 2 To turn off, touch and hold Quick for approximately 10 seconds until “Sabbath Off” appears on the display.

IMPORTANT NOTE: Child lock and Sabbath feature cannot be turned on at the same time.

Lights

STATUS LIGHT

The status light will illuminate to indicate the status of the cycle.

LIGHT	CYCLE STATUS
Blue	A delayed start has been selected. Touch Start each time the door is opened prior to the start time.
Red	The cycle has started.
Green	The cycle is complete.
No Light	The door was not closed within 4 seconds after touching Start, the cycle has been complete for more than two hours, or the door has been opened.

INTERIOR LIGHT

The interior lights will turn on when the door is open. The lights remain on for 10 minutes, dim after 10 minutes, and turn off after 15 minutes. Any door movement turns the lights on.

Dishwasher Racks

RACK REMOVAL

All of the racks can be removed. If desired, the dishwasher can be operated with any of the racks removed.

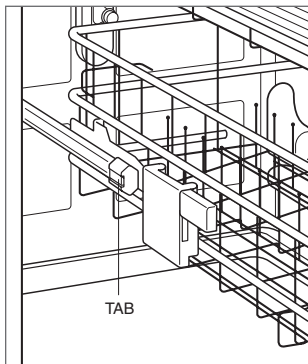
To remove the upper and middle racks:

IMPORTANT NOTE: If the middle rack is removed, the spray nozzle must be installed before starting a cycle. Refer to the illustration below.

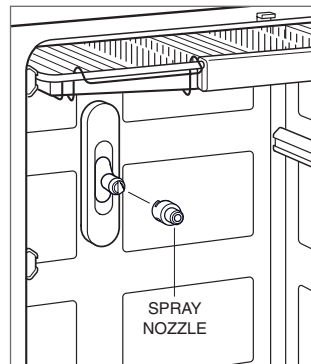
- 1 Pull the rack out to full extension.
- 2 Pull out on the tab on the side of the rack clips and remove the clips from the end of each rack glide. Refer to the illustration below.
- 3 Pull the rack forward to remove.

To remove the lower rack:

- 1 Pull the rack out to full extension.
- 2 Lift up and out.



Rack removal



Spray nozzle installation

HEIGHT-ADJUSTABLE RACK

To move the rack down:

- 1 Pull the empty rack out to full extension.
- 2 Lift the green adjustment levers on each side up and allow the rack to move downward to the desired location. The adjustment levers are only used to move the rack down. Refer to the illustration below.

To move the rack up:

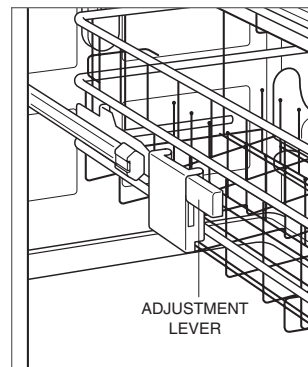
- 1 Pull the rack out to full extension.
- 2 Lift up on the rack above the adjustment levers.

FOLD-DOWN TINES

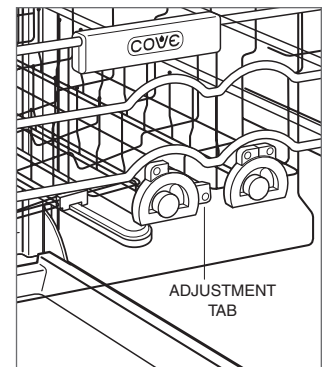
Some of the tines can be adjusted to accommodate a variety of dinnerware.

To adjust the fold-down tines:

- 1 Pull the rack out to full extension.
- 2 Push and turn the green adjustment tabs to fold down the desired tines. Refer to the illustration below.



Height adjustment



Tine adjustment

Dishwasher Racks

FOLD-DOWN SHELVES

The lower and middle racks have fold-down shelves that can be adjusted to accommodate smaller items and support stemware.

To adjust the fold-down shelves:

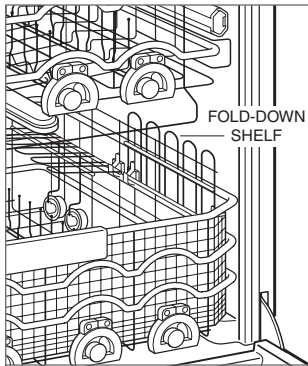
- 1 Rotate the shelf down. Refer to the illustration below.

STEMWARE CRADLE

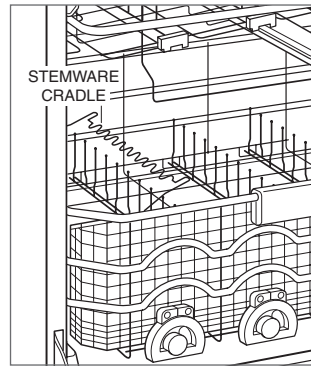
The lower rack has a stemware cradle that can be adjusted to accommodate stemware.

To adjust the stemware cradle:

- 1 Rotate the cradle downward. Refer to the illustration below.



Fold-down shelf



Stemware cradle

UTENSIL BASKETS

The utensil baskets are located at the front of the lower rack and can be removed.

To remove the utensil baskets:

- 1 Pull the lower rack out to full extension.
- 2 Lift the basket up and out.

⚠ WARNING

Knives and other utensils with sharp points must be loaded in the baskets with their points down or placed in a horizontal position.

Dispenser

The dispenser located on the interior of the door has one compartment for detergent and another for rinse aid. Refer to the illustrations below. Cove recommends the use of Finish® detergent.

NOTE: Finish® is a trademark of Reckitt Benckiser N.V.

NOTE: Always use rinse aid even if the detergent includes rinse aid.

To add dishwasher detergent:

- 1 Add detergent to the compartment on the left.
- 2 Slide the cover closed.

To open the door once closed, touch the button on the side of the dispenser.

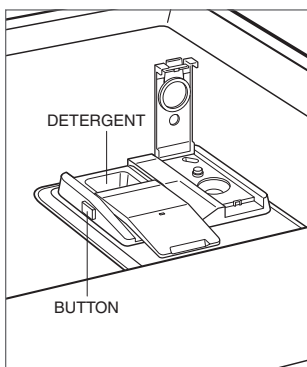
To add rinse aid:

- 1 Lift the tab of the cover on the right.
- 2 Add rinse aid. The rinse aid compartment is full when the indicator appears the color of the rinse aid.
- 3 Wipe away any rinse aid that may have spilled.

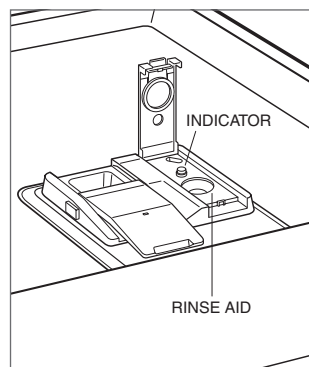
When rinse aid is low, “Add Rinse Aid. Enter once added, Cancel to ignore.” appears on the display.

⚠ CAUTION

Do not add anything other than dishwasher detergent to the detergent compartment and rinse aid to the rinse aid compartment.



Detergent dispenser



Rinse aid dispenser

Water Softener

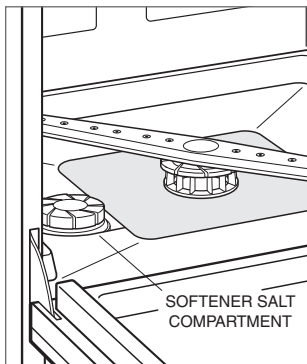
For water softener models only, a salt compartment is located at the bottom of the interior. Refer to the illustration below.

Prior to filling the salt compartment for the first time, fill the compartment with water. Water does not have to be added with subsequent refills.

When softener salt is low, “Add Salt. Enter once added, Cancel to ignore.” appears on the display.

To add softener salt:

- 1 Pull the lower rack forward and if necessary, turn the lower spray arm away from the compartment cover.
- 2 Turn the cover counterclockwise to remove. It is normal for the reservoir to contain water.
- 3 Fill the compartment completely with dishwasher softener salt.
- 4 Once full, clean any excess salt from the threads of the salt compartment, then turn the cover clockwise to secure.
- 5 Run a Quick cycle.



Softener salt compartment

⚠ CAUTION

Do not add anything other than dishwasher salt to the salt compartment.

The water softener must regenerate periodically to maintain water quality. When necessary, the regeneration process starts automatically before the next wash cycle (excludes Rinse/Hold) and lasts approximately 20 minutes. The wash cycle begins after the regeneration process is complete. “Water softener active. Press Start” appears on the display during the regeneration process. To continue, touch Start and close the door.

Cleaning

SPRAY ARMS

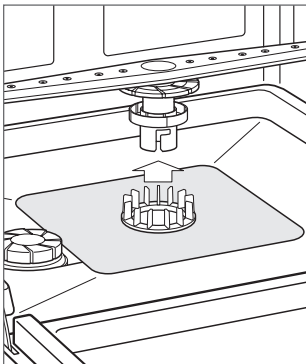
The upper and lower spray arms are removable for cleaning. The middle spray arm is not removable.

To remove the upper spray arm:

- 1 To access the upper spray arm, remove the upper silver-ware rack.
- 2 Turn the spray arm assembly counterclockwise to remove.

To remove the lower spray arm:

- 1 To access the lower spray arm, remove the lower rack.
- 2 Turn lower spray arm assembly counterclockwise $\frac{1}{8}$ turn, then lift up to remove. Refer to the illustration below.



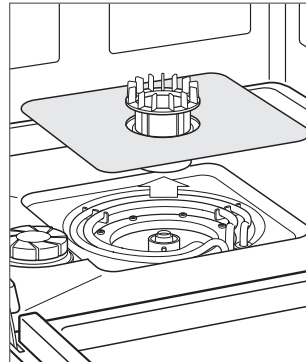
Lower spray arm removal

FILTER

The filter should be cleaned often. Heavy use may require more frequent cleaning. "Clean Filter." appears on the display after 30 cycles. This is a reminder and is not based on the soil level of the filter. To reset, touch Cancel.

To remove the filter:

- 1 Remove the lower rack and lower spray arm.
- 2 Turn the filter counterclockwise, then lift up to remove. Refer to the illustration below.



Filter removal

Care Recommendations

CLEANING

Stainless steel	Use a nonabrasive stainless steel cleaner and apply with a soft lint-free cloth. To bring out the natural luster, lightly wipe surface with a water-dampened microfiber cloth followed by a dry polishing chamois. Always follow the grain of stainless steel.
Control panel	Wipe with a damp cloth.
Dishwasher racks	Refer to page 12 for removal. Wipe with a damp cloth.
Interior	Wipe interior, door edge, and rubber seal with a damp cloth. If necessary, spray household cleaner on the cloth. Do not spray directly on the door. Use a dishwasher cleaner (follow the instructions on the package) or place 1 cup of vinegar and 2 tbsp of baking soda in a container on the middle rack and run a Heavy wash cycle.
Spray arms	Refer to page 16 for removal. Place under running water and use a paper clip or similar to remove debris from holes.
Filter	Refer to page 16 for removal. Clean with soap and water. For hard-to-remove soils or calcium deposits, use a soft brush. Do not use a wire brush or scouring pad.
Gasket	Wipe with a damp cloth. Use warm soapy water and a toothbrush. If mold or mildew are present, spray with 3% hydrogen peroxide.

Troubleshooting

OPERATION

Dishwasher does not operate.

- Verify power is on.
- Verify electrical power to dishwasher and home circuit breaker is on.
- Verify the child lock, Sabbath feature, and showroom mode are not turned on.

Dishes are not clean after the wash cycle.

- Verify hot water supply.
- Verify spray arms turn freely by turning by hand.
- Verify dishes are not placed too close together and cups and bowls are face-down and are not nested.
- Contact Cove Customer Care at 800-222-7820 for recommendations.

Dishes are not dry after the wash cycle.

- Verify there is rinse aid in the dispenser (even if the detergent includes rinse aid).
- Select a wash cycle other than Quick or Light, which have limited dry time.
- Turn on Extra Dry and/or Extended Dry. Refer to Cycle Options on page 6.
- Increase the rinse aid dosing. Refer to User Setup on page 9.

Excess moisture on the tub at the end of the wash cycle.

- Verify there is rinse aid in the dispenser (even if the detergent includes rinse aid).

“Check manual, Code #800140” appears on the display.

- Verify the drain is clear and free of debris.
- Verify drain line is not kinked.

“Check manual, Code #560186 or #560187” appears on the display.

- Verify water supply is in the on position.
- Verify water supply line is not kinked.

“Call Service, Code #600148”, #600149, or #600151” appears on the display.

- Contact Cove Factory Certified Service.

SERVICE

- Maintain the quality built into your product by contacting Cove Factory Certified Service. For the name of the nearest Cove Factory Certified Service, check the contact and support section of our website, coveappliance.com, or call Cove Customer Care at 800-222-7820.
- When contacting service, you will need the model and serial number of your product. Both numbers are listed on the product rating plate. Refer to page 4 for rating plate location.
- For warranty purposes, you will also need the date of installation and name of your authorized Cove dealer. This information should be recorded on page 2 of this guide.

Cove Appliance Residential Limited Warranty

FOR RESIDENTIAL USE

FULL FIVE YEAR WARRANTY*

For five years from the date of original installation, this Cove Appliance product warranty covers all parts and labor to repair or replace, under normal residential use, any part of the product that proves to be defective in materials or workmanship. All service provided by Cove Appliance under the above warranty must be performed by Cove factory certified service, unless otherwise specified by Cove Appliance, Inc. Service will be provided during normal business hours.

LIMITED LIFETIME WARRANTY

For the life of the product, Cove Appliance will repair or replace the following parts that prove to be defective in materials or workmanship: stainless steel tub and door liner (excludes surface corrosion, scratches, discoloration, weather and atmospheric related staining and minor surface rust and oxidation). If the owner uses Cove factory certified service, the service provider will repair or replace these parts with the owner paying for all other costs, including labor. If the owner uses non-certified service, the owner must contact Cove Appliance, Inc. (using the information below) to receive repaired or replacement parts. Cove Appliance will not reimburse the owner for parts purchased from non-certified service or other sources.

TERMS APPLICABLE TO EACH WARRANTY

The warranty applies only to products installed for normal residential use. The warranty applies only to products installed in any one of the fifty states of the United States, the District of Columbia or the ten provinces of Canada. This warranty does not cover any parts or labor to correct any defect caused by negligence, accident or improper use, maintenance, installation, service or repair.

THE REMEDIES DESCRIBED ABOVE FOR EACH WARRANTY ARE THE ONLY ONES THAT COVE APPLIANCE, INC. WILL PROVIDE, EITHER UNDER THIS WARRANTY OR UNDER ANY WARRANTY ARISING BY OPERATION OF LAW. COVE APPLIANCE, INC. WILL NOT BE RESPONSIBLE FOR ANY CONSEQUENTIAL OR INCIDENTAL DAMAGES ARISING FROM THE BREACH OF THIS WARRANTY OR ANY OTHER WARRANTY, WHETHER EXPRESS, IMPLIED OR STATUTORY.

Some states do not allow the exclusion or limitation of incidental or consequential damages, so the above limitation or exclusion may not apply to you. This warranty gives you specific legal rights and you may also have other legal rights that vary from state to state.

To receive parts and/or service and the name of Cove factory certified service nearest you, contact Cove Appliance, Inc., P.O. Box 44848, Madison, WI 53744; check the contact & support section of our website, coveappliance.com, email us at customerservice@subzero.com or call 800-222-7820.

*Stainless steel (doors, panels, handles, product frames and interior surfaces) are covered by a limited 60-day parts and labor warranty for cosmetic defects.



Contenido

- 3 Precauciones de seguridad
- 4 Características del lavavajillas
- 5 Funcionamiento del lavavajillas
- 15 Recomendaciones para el cuidado
- 17 Resolución de problemas
- 19 Garantía Cove

Atención al cliente

El modelo y número de serie están impresos en la tarjeta de registro del producto adjunta. Ambos números también aparecen en la placa de datos del producto. Consulte la página 4 para encontrar la placa de datos. Para fines de la garantía, usted también necesitará la fecha de instalación y el nombre de su distribuidor autorizado Cove. Guarde la siguiente información para futuras referencias.

INFORMACIÓN DE SERVICIO

Número de modelo

Número de serie

Fecha de la instalación

Nombre de servicio certificado

Número de servicio certificado

Distribuidor autorizado

Número de distribuidor

Si su producto alguna vez necesita servicio, asegúrese de acudir a un proveedor de Servicios certificados de fábrica de Cove y recomendado por nuestro Centro de atención al cliente o seleccione uno de nuestra lista de proveedores en coveappliance.com/locator. Todos los proveedores de servicios certificados son cuidadosamente seleccionados y rigurosamente capacitados por nosotros.

Aviso importante

Para garantizar que este producto se instale y opere de la forma más segura y eficiente posible, tome nota de los siguientes tipos de información resaltada en este manual:

AVISO IMPORTANTE señala la información que es especialmente importante.

PRECAUCIÓN indica una situación en la que se pueden sufrir heridas leves o provocar daños al producto si no se siguen las instrucciones.

ADVERTENCIA indica peligro de que se produzcan heridas graves o incluso la muerte si no se siguen las precauciones.

AVISO IMPORTANTE: En toda esta guía, las dimensiones entre paréntesis son milímetros, a menos que se especifique lo contrario.

INSTRUCCIONES IMPORTANTES

INSTRUCCIONES IMPORTANTES DE SEGURIDAD

▲ ADVERTENCIA

Al utilizar el lavavajillas, siga las precauciones básicas, entre las que se encuentran:

- Lea las instrucciones en su totalidad antes de utilizar el lavavajillas.
- Utilice el lavavajillas solo para la función diseñada.
- Los lavavajillas residenciales certificados no están diseñados para establecimientos alimenticios autorizados.
- Utilice solo detergentes o agentes humectantes recomendados para ser utilizados en un lavavajillas y manténgalos fuera del alcance de los niños.
- Al cargar los artículos que se van a lavar, coloque los artículos afilados de manera que no dañen el sello de la puerta y ponga los cuchillos afilados con los mangos hacia arriba para reducir el riesgo de lesiones.
- No lave los artículos de plástico a menos que estén marcados como “seguros para lavavajillas” o el equivalente. Para los artículos de plástico que no estén marcados, verifique las recomendaciones del fabricante.
- No toque el elemento calefactor durante o inmediatamente después de utilizarlo.
- No modifique los controles.
- No opere su lavavajillas a menos que los paneles estén ubicados apropiadamente.
- No maltrate la puerta y la rejilla del lavavajillas; tampoco se pare ni se siente en estas.
- No deje abierta la puerta del lavavajillas para evitar riesgos de tropiezo.
- No permita que los niños que jueguen dentro o sobre el lavavajillas, para reducir el riesgo de lesiones.

- En ciertas condiciones, puede producirse gas hidrógeno en el sistema de agua caliente, si no se utilizó por dos o más semanas. EL GAS HIDRÓGENO ES EXPLOSIVO. Si el sistema de agua caliente no ha sido usado durante dos o más semanas, debe abrir todos los grifos de agua caliente y dejarla correr por varios minutos antes de usar el lavavajillas. Esto libera cualquier gas hidrógeno acumulado. Como el gas es inflamable, no debe fumar o usar una llama abierta en este momento.
- Solo los ciclos de lavado con la opción Enjuague con esterilización seleccionada han sido diseñados para cumplir con la norma de rendimiento NSF/ANSI 184 para eliminación de suciedad y eficacia de desinfección. No hay intención, ya sea directa o indirectamente, de que todos los ciclos en una máquina certificada hayan superado la prueba de rendimiento de desinfección.
- Retire la puerta del compartimento de lavado cuando retire un lavavajillas viejo o lo deseche.
- Cualquier abertura en el gabinete contiguo debe cumplir lo siguiente: La dimensión más larga de la abertura no debe ser superior a 1¹/₂" (38).

▲ ADVERTENCIA

PROPUESTA 65 PARA RESIDENTES DE CALIFORNIA

Cáncer y Daño Reproductivo—
www.P65Warnings.ca.gov

▲ ADVERTENCIA

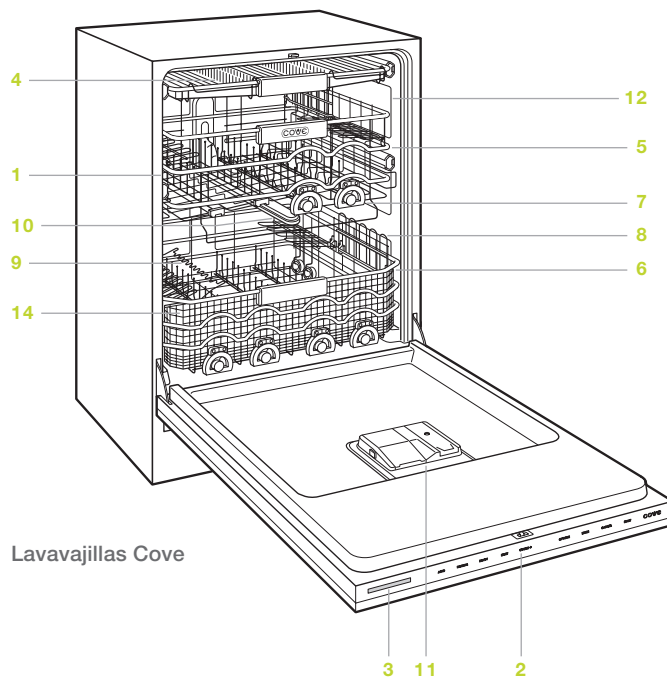
 VOLTAJE PELIGROSO.

GUARDE ESTAS INSTRUCCIONES

Características del lavavajillas

CARACTERÍSTICAS

1	Placa de datos del producto
2	Panel de control oculto
3	Pantalla del panel de control
4	Rejilla de cubiertos superior extraíble
5	Rejilla media de altura ajustable
6	Rejilla inferior
7	Ajuste plegable con dientes
8	Repisa plegable
9	Soporte para copas
10	Brazo de rociado medio
11	Dispensador de detergente/abrillantador
12	Iluminación interior LED
13	Luz de estado (lado derecho, debajo de la puerta)
14	Cestas de utensilios de rejilla inferior (no se muestran)



Primeros pasos

Sabemos que está ansioso por empezar a usar su lavavajillas Cove, pero antes de hacerlo, dedique un poco de tiempo a leer este manual de uso y cuidado. Será de su beneficio familiarizarse con las prácticas de seguridad, características y recomendaciones de cuidado de su lavavajillas Cove, así como de su operación.

NOTA: Todas las unidades se prueban antes de su envío y pueden contener agua residual.

Antes de utilizarse

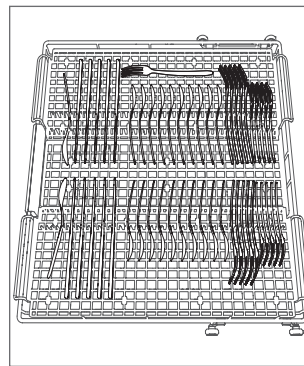
Solo para modelos con ablandador, use la tira de prueba provista para determinar la dureza del agua. Consulte los Ajustes del usuario en la página 9 para ajustar la configuración de la dureza del agua.

Llene el compartimiento para sal con agua antes de agregar sal por primera vez. Consulte Ablandador de agua en la página 15 para obtener más información.

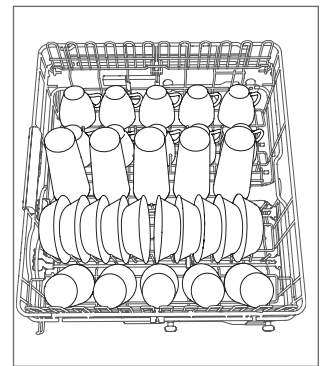
Disposición de platos

Las siguientes ilustraciones muestran la disposición típica de las rejillas superiores, medias e inferiores. La rejilla media ajustable se sometió a pruebas AHAM en la posición superior.

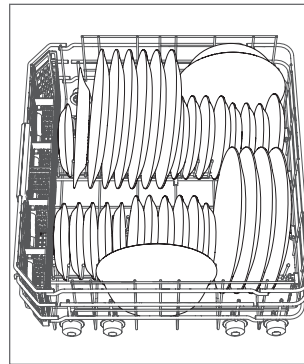
NOTA: Los brazos rociadores deben girar libremente antes de comenzar un ciclo de lavado.



Rejilla de cubiertos superior



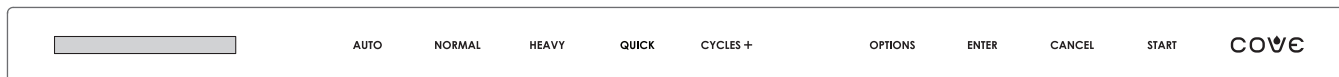
Rejilla media



Rejilla inferior

Funcionamiento del lavavajillas

PANEL DE CONTROL



Panel de control

CICLOS DE LAVADO

Configuración de un ciclo de lavado:

- 1 Presione el ciclo de lavado deseado o Ciclos+ varias veces para desplazarse al ciclo de lavado deseado.
- 2 Presione Start (Iniciar) y cierre la puerta dentro de 4 segundos.

NOTA: Para incorporar una opción de ciclo al ciclo de lavado, presione Options (Opciones) antes de presionar Start (Iniciar). Consulte Opciones de ciclo. Para cambiar el ciclo después de presionar Start (Iniciar), presione Cancel (Cancelar).

OPCIONES DE CICLO

OPCIÓN	DESCRIPCIÓN
Retraso de inicio	Retrasa el comienzo del ciclo de lavado de 1 a 12 horas aumentando cada hora.
Lavado a alta temperatura	Aumenta la temperatura del agua principal y extiende 10 minutos el tiempo del ciclo.
Enjuague con esterilización*	Aumenta la temperatura del agua de enjuague y extiende el tiempo de enjuague por 15 minutos.
Secado extendido	Extiende el tiempo de secado 30 minutos.
Secado extra	Aumenta la temperatura del agua de enjuague y extiende el tiempo de secado 30 minutos.
Solo rejillas superiores	Dirige las funciones de lavado solo a las rejillas superiores y medias.

*Desinfecta de acuerdo con la norma NSF/ANSI 184 para lavavajillas residenciales.

Configuración de opciones de ciclo:

- 1 Seleccione el ciclo de lavado deseado.
- 2 Presione Options (Opciones).
- 3 Presione Options (Opciones) varias veces para desplazarse por las opciones de ciclo.
- 4 Presione Enter (Intro) para seleccionar la opción deseada y continúe presionando Enter hasta que aparezca la configuración deseada en la pantalla.
- 5 Presione Options (Opciones) nuevamente para seleccionar otras opciones.
- 6 Presione Start (Iniciar) y cierre la puerta dentro de 4 segundos.

Para interrumpir un ciclo:

- 1 Abra la puerta.
- 2 Para reiniciar el ciclo, presione Start (Iniciar) y cierre la puerta dentro de 4 segundos.

Para cancelar un ciclo:

- 1 Abra la puerta.
- 2 Presione Cancel (Cancelar) y siga las instrucciones de la pantalla.

Funcionamiento del lavavajillas

CICLOS DE LAVADO

CICLO	TIEMPO DEL CICLO*	TIEMPO DE SECADO	USO DE AGUA	DETERGENTE**	OPCIONES
AUTO (AUTOMÁTICO)	02:07 a 03:55	:40	4.0 a 8.4 galones	2 cucharadas	Retraso de inicio, lavado a alta temperatura, enjuague con esterilización, secado extendido, secado extra, solo rejillas superiores
NORMAL	02:40	:40	3.0 a 8.3 galones	2 cucharadas	Retraso de inicio, lavado a alta temperatura, enjuague con esterilización, secado extendido, secado extra, solo rejillas superiores
HEAVY (PESADO)	03:25	:40	7.3 galones	2 cucharadas	Retraso de inicio, lavado a alta temperatura, enjuague con esterilización, secado extendido, secado extra
QUICK (RÁPIDO)***	:58	:10	3.3 galones	1/2 cucharada	Secado extra, solo rejillas superiores

CICLOS+	TIEMPO DEL CICLO*	TIEMPO DE SECADO	USO DE AGUA	DETERGENTE**	OPCIONES
POTS & PANS (OLLAS y SARTENES)	03:55	:40	8.4 galones	2 cucharadas	Retraso de inicio, lavado a alta temperatura, enjuague con esterilización, secado extendido, secado extra
SOAK & SCRUB (REMOJAR y FROTAR)	05:35	:40	8.5 galones	2 cucharadas	Retraso de inicio, lavado a alta temperatura, enjuague con esterilización, secado extendido, secado extra
LIGHT (LIGERO)***	01:53	:15	3.0 galones	2 cucharadas	Retraso de inicio, lavado a alta temperatura, enjuague con esterilización, secado extendido, secado extra, solo rejillas superiores
CHINA / CRYSTAL (PORCELANA/ CRISTAL)	01:58	:40	3.0 galones	1/2 cucharada	Retraso de inicio, secado extendido, solo rejillas superiores
RINSE / HOLD (ENJUAGAR/ PAUSAR)	:15	:00	2.2 galones	0 cucharadas	
PLASTICS (PLÁSTICOS)	02:32	:45	3.0 galones	1 cucharada	Retraso de inicio, lavado a alta temperatura, enjuague con esterilización, secado extendido, secado extra
ENERGY (ENERGÍA)	02:08	:40	2.9 galones	2 cucharadas	Retraso de inicio, secado extendido
EXTRA QUIET (EXTRA SILENCIOSO)	02:50	:40	4.4 galones	2 cucharadas	Retraso de inicio, secado extendido, secado extra, solo rejillas superiores

*Incluye tiempo de secado. **Detergente en polvo. ***El tiempo de ciclo más corto afecta el rendimiento del secado.

Funcionamiento del lavavajillas

DESCRIPCION DEL CICLO

CICLO	DESCRIPCIÓN
AUTO (AUTOMÁTICO)	Para todos los niveles del suelo. Se ajusta automáticamente al tiempo óptimo de lavado, la temperatura del agua y el consumo de agua.
NORMAL	Para platos normalmente sucios de uso diario típico. Tiempo medio de lavado, temperatura del agua y consumo de agua.
HEAVY (PESADO)	Para platos muy sucios. Aumenta ligeramente el tiempo de lavado, la temperatura del agua y el consumo de agua.
QUICK (RÁPIDO)	Para platos poco sucios. Reduce el tiempo total de lavado.

CICLOS+	DESCRIPCIÓN
POTS & PANS (OLLAS y SARTENES)	Para ollas, sartenes y cazuelas muy sucias platos Aumenta el tiempo de lavado y aumenta ligeramente la temperatura y el consumo del agua.
SOAK & SCRUB (REMOJAR y FROTAR)	Para los platos más sucios. Aumenta significativamente el tiempo de lavado y aumenta ligeramente la temperatura y el consumo del agua.
LIGHT (LIGERO)	Para platos muy poco sucios. Reduce el tiempo de lavado y la temperatura.
CHINA / CRYSTAL (PORCELANA/ CRISTAL)	Para platos sensibles a la temperatura y poco sucios. Disminuye las temperaturas del ciclo.
RINSE / HOLD (ENJUAGAR/ PAUSAR)	Para todos los niveles del suelo. Enjuaga y retiene los platos para un futuro ciclo de lavado.
PLASTICS (PLÁSTICOS)	Para platos muy sucios o ligeramente sucios. Aumenta la temperatura final del agua de enjuague y aumenta el tiempo de secado del ventilador para aumentar el rendimiento del secado de plástico.
ENERGY (ENERGÍA)	Para platos regularmente sucios. Disminuye la temperatura del agua y extiende el tiempo del ciclo para reducir el consumo de energía. Disminuye la temperatura del agua y extiende el tiempo de ciclo.
EXTRA QUIET (EXTRA SILENCIOSO)	Para platos poco sucios. Reduce las velocidades de bombeo.

Funcionamiento del lavavajillas

AJUSTE DEL USUARIO

La característica de ajuste del usuario le permite seleccionar sus preferencias tal como se enumeran a continuación.

OPCIONES DEL USUARIO

Idioma	Seleccione el idioma.
Dureza del agua	Ajuste la configuración de dureza del agua.
¿Conectarse?	Encienda conectarse o desconectarse.*
Nivel del tono	Ajuste el nivel del tono.
Notificación	Encienda o apague la señal de fin de ciclo.
Velocidad de desplazamiento	Ajuste la velocidad de desplazamiento de la pantalla.
Contraste de la pantalla	Ajuste el contraste de la pantalla.
Brillo de la pantalla	Ajuste el brillo de la pantalla.
Luz de estado	Ajusta el brillo de la luz de estado.
Dosificador de abrillantador	Ajuste la cantidad de abrillantador que se suministrará.
Modo de sala de exhibición	Para uso en salas de exhibición solamente.
Restaurar todo	Restaurar la configuración de fábrica.

*Para conectarse a Sub-Zero Group Owners App, la opción Connect (Conectarse) debe estar encendida.

Configuración de opciones del usuario:

- 1 Presione Cancel (Cancelar) dos veces.
- 2 Presione y mantenga Options (Opciones) durante aproximadamente 3 segundos hasta que aparezca "User Set Up" (Configuración del usuario) en la pantalla.
- 3 Presione Options (Opciones) varias veces para desplazarse a la opción deseada.
- 4 Presione Enter (Intro) para desplazarse o seleccionar la configuración deseada.
- 5 Presione Cancel (Cancelar) para salir de la configuración del usuario.

DUREZA DEL AGUA

Para los modelos con ablandador de agua solamente, use la tira de prueba provista y la tabla a continuación para determinar la configuración adecuada de dureza del agua. Consulte la siguiente tabla para determinar el ajuste de dureza del agua.

AJUSTE	DUREZA
0 (predeterminado)	0 a 4 gpg
1	5 a 6 gpg
2	7 a 8 gpg
3	9 a 11 gpg
4	12 a 13 gpg
5	14 a 15 gpg
6	16 a 17 gpg
7	18 a 19 gpg
8	20 a 22 gpg
9	23 a 24 gpg
10	25+ gpg

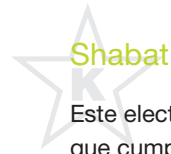
Bloqueo para niños

La función de bloqueo para niños impide el funcionamiento no deseado del panel de control. La función de bloqueo permanecerá encendida después de una interrupción de energía.

Para encender o apagar la función de bloqueo para niños:

- 1 Para encenderla, presione y mantenga Heavy (Pesado) durante aproximadamente 10 segundos hasta que aparezca "Child Lock: On" (Bloqueo para niños: encendido) en la pantalla. Aparecerá "Locked" (Bloqueado) en la pantalla hasta que se apague el bloqueo para niños.
- 2 Para apagarla, presione y mantenga Heavy (Pesado) durante aproximadamente 10 segundos hasta que aparezca "Child Lock: Off" (Bloqueo para niños: apagado) en la pantalla.

AVISO IMPORTANTE: Las características de bloqueo para niños y de Shabat no pueden estar encendidas al mismo tiempo.



Shabat

Este electrodoméstico lleva el certificado Star-K que indica que cumple con estrictas normas religiosas junto con instrucciones específicas que aparecen en www.star-k.org.

La función de Shabat permanecerá encendida después de una interrupción de energía.

Para encender o apagar la función de Shabat:

- 1 Para encenderla, presione y mantenga Quick (Rápido) durante aproximadamente 10 segundos hasta que aparezca "Sabbath" en la pantalla. "Sabbath" aparecerá en la pantalla hasta que se apague la función de Shabat.
- 2 Para apagarla, presione y mantenga Quick (Rápido) durante aproximadamente 10 segundos hasta que aparezca "Sabbath Off" (Shabat se acabó) en la pantalla.

AVISO IMPORTANTE: Las funciones de bloqueo para niños y de Shabat no pueden estar encendidas al mismo tiempo.

Luces

LUZ DE ESTADO

La luz de estado se iluminará para indicar el estado del ciclo.

LIGERO	ESTADO DEL CICLO
Azul	Se ha seleccionado inicio retardado. Presione Start (Iniciar) cada vez que la puerta se abra antes de la hora de inicio.
Rojo	Comenzó el ciclo.
Verde	El ciclo terminó.
Sin luz	La puerta no se cerró dentro de 4 segundos después de presionar Start (Iniciar), el ciclo ha terminado hace más de dos horas o la puerta ha estado abierta.

LUZ INTERIOR

Las luces interiores se encenderán cuando la puerta se abra. Las luces permanecerán encendidas durante 10 minutos, se atenuarán después de 10 y se apagarán después de 15. Cualquier movimiento de la puerta enciende las luces.

Rejillas del lavavajillas

RETIRO DE LAS REJILLAS

Todas las rejillas pueden extraerse. Si lo desea, el lavavajillas puede funcionar sin las rejillas.

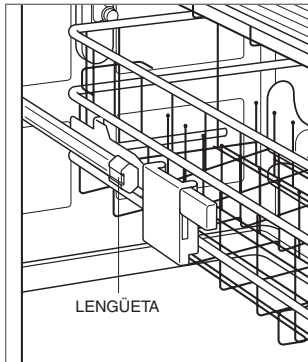
Para retirar las rejillas superior y media:

AVISO IMPORTANTE: Si se quita la rejilla media, se debe instalar la boquilla de rociado antes de iniciar un ciclo. Consulte la siguiente ilustración.

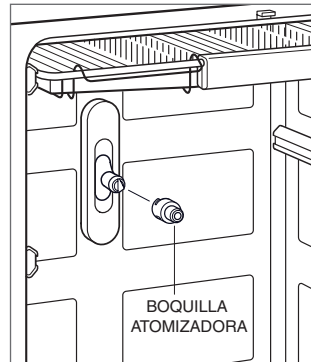
- 1 Abra totalmente la rejilla.
- 2 Hale la lengüeta en el lado de los pasadores de la rejilla y retire los pasadores que se ubican al final de cada deslizador de la rejilla. Consulte la siguiente ilustración.
- 3 Hale la rejilla hacia adelante para extraerla.

Para extraer la rejilla inferior:

- 1 Abra totalmente la rejilla.
- 2 Levante y extraiga.



Retiro de las rejillas



Instalación de la boquilla de rociado

REJILLA DE ALTURA AJUSTABLE

Para mover la rejilla hacia abajo:

- 1 Abra totalmente la rejilla vacía.
- 2 Levante las palancas de ajuste verdes en cada lado hacia arriba y permita que la rejilla se mueva hacia abajo a la ubicación deseada. Las palancas de ajuste solo se usan para mover la rejilla hacia abajo. Consulte la siguiente ilustración.

Para mover la rejilla hacia arriba:

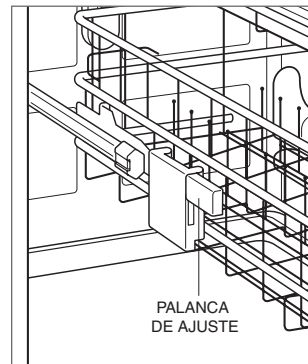
- 1 Abra totalmente la rejilla.
- 2 Levante la rejilla sobre las palancas de ajuste.

REPISAS PLEGABLES

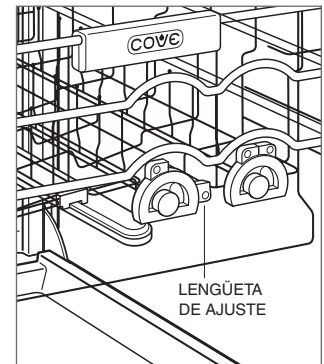
Algunas repisas pueden ajustarse para acomodar una variedad de vajillas.

Para ajustar las repisas plegables:

- 1 Abra totalmente la rejilla.
- 2 Empuje y gire las lengüetas de ajuste verdes para plegar las repisas deseadas. Consulte la siguiente ilustración.



Ajuste de la altura



Ajuste de las repisas

Rejillas del lavavajillas

ESTANTES PLEGABLES

Las rejillas inferiores y medias tienen estantes plegables que se pueden ajustar para acomodar objetos más pequeños y copas.

Para ajustar los estantes plegables:

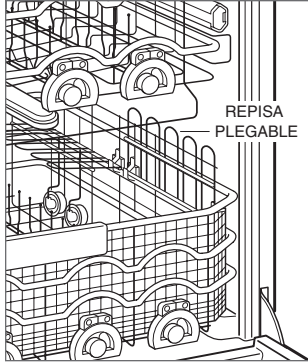
- 1 Gire el estante hacia abajo. Consulte la siguiente ilustración.

SOPORTE PARA COPAS

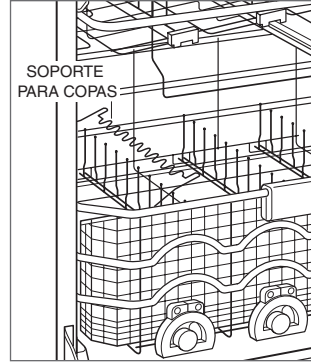
La rejilla inferior tiene un soporte para copas que se puede ajustar para acomodar copas.

Para ajustar el soporte para copas:

- 1 Gire el soporte hacia abajo. Consulte la siguiente ilustración.



Estante plegable



Soporte para copas

CESTAS DE UTENSILIOS

Las cestas de utensilios están ubicadas en la parte frontal de la rejilla inferior y se pueden quitar.

Para quitar las cestas de utensilios:

- 1 Abra totalmente la rejilla inferior.
- 2 Levante la cesta y extráigala.

⚠ ADVERTENCIA

Los cuchillos y otros utensilios con punta afilada deben cargarse en las cestas con las puntas hacia abajo o en posición horizontal.

Dispensador

El dispensador ubicado en el interior de la puerta tiene un compartimiento para detergente y otro para abrillantador. Consulte las siguientes ilustraciones. Cove recomienda el uso de detergente Finish®.

NOTA: Finish® es una marca registrada de Reckitt Benckiser N.V.

NOTA: utilice siempre abrillantador incluso si el detergente incluye abrillantador.

Para agregar detergente para lavavajillas:

- 1 Agregue el detergente al compartimiento a la izquierda.
- 2 Deslice la tapa para cerrarla.

Para abrir la puerta una vez cerrada, presione el botón en el lado del dispensador.

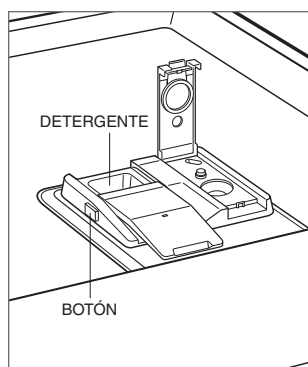
Para agregar abrillantador:

- 1 Levante la lengüeta de la tapa en la derecha.
- 2 Agregue abrillantador. El compartimiento para abrillantador está lleno cuando aparece el indicador del color del abrillantador.
- 3 Limpie el abrillantador que pueda haberse derramado.

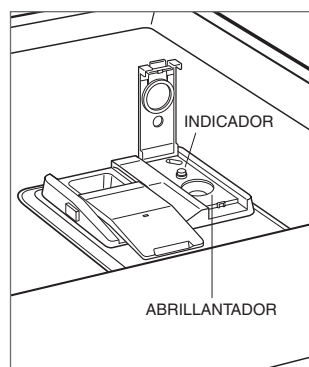
Cuando el abrillantador está bajo, aparece "Add Rinse Aid. Enter once added, Cancel to ignore." (Agregar abrillantador. Intro una vez agregado, Cancelar para ignorar) en la pantalla.

⚠ PRECAUCIÓN

No agregue nada más que detergente de lavavajillas al compartimiento para detergente y abrillantador al compartimiento para abrillantador.



Dispensador de detergente



Dispensador de abrillantador

Ablandador de agua

Para los modelos con ablandador de agua solamente, hay un compartimiento para sal ubicado en la parte inferior del interior. Consulte la siguiente ilustración.

Antes de llenar el compartimiento para sal por primera vez, llene el compartimiento con agua. No es necesario agregar agua cuando se rellene posteriormente.

Cuando la sal ablandadora está baja, aparece “Add Salt. Enter once added, Cancel to ignore.” (Agregar sal. Intro una vez agregado, Cancelar para ignorar) en la pantalla.

Para agregar sal ablandadora:

- 1 Hale la rejilla inferior hacia adelante y, si es necesario, aleje el brazo de rociado inferior de la tapa del compartimiento.
- 2 Gire la rejilla hacia la izquierda para extraerla. Es normal que el depósito contenga agua.
- 3 Llene el compartimiento por completo con sal ablandadora para lavavajillas.
- 4 Una vez lleno, limpie el exceso de sal de las roscas del compartimiento para sal, luego gire la tapa en el sentido de las manecillas del reloj para asegurar.
- 5 Ejecute un ciclo rápido.



Compartimiento para sal ablandadora

⚠ PRECAUCIÓN

No agregue nada más que sal de lavavajillas al compartimiento para sal.

El ablandador de agua debe regenerarse periódicamente para mantener la calidad del agua. Cuando sea necesario, el proceso de regeneración comienza automáticamente antes del siguiente ciclo de lavado (excluyendo Enjuagar/Pausar) y dura aproximadamente 20 minutos. El ciclo de lavado comienza después de que se completa el proceso de regeneración. Aparece “Water softener active. Press Start” (Ablandador de agua activo. Presione Iniciar) en la pantalla durante el proceso de regeneración. Para continuar, presione Start (Iniciar) y cierre la puerta.

Limpieza

BRAZOS DE ROCIADO

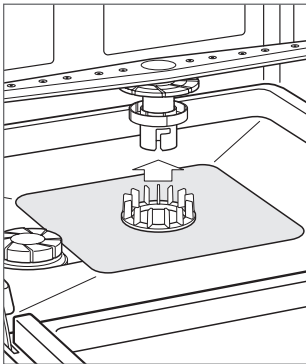
Los brazos de rociado superior e inferior son removibles para su limpieza. El brazo de rociado medio no se puede extraer.

Para quitar el brazo de rociado superior:

- 1 Para acceder al brazo rociador superior, retire la rejilla superior de los cubiertos.
- 2 Gire el conjunto del brazo de rociado hacia la izquierda para extraerlo.

Para quitar el brazo de rociado inferior:

- 1 Para acceder al brazo rociador inferior, retire la rejilla inferior.
- 2 Gire el conjunto del brazo de rociado inferior en sentido contrario a las manecillas del reloj 1/8 de vuelta, luego levante para retirar. Consulte la siguiente ilustración.



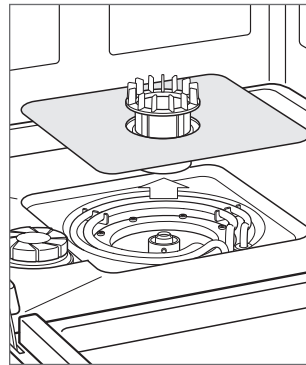
Retiro del brazo de rociado inferior

FILTRO

El filtro se debe limpiar con frecuencia. El uso intensivo puede requerir una limpieza más frecuente. "Clean Filter." (Limpiar filtro) aparece en la pantalla después de 30 ciclos. Este es un recordatorio y no se basa en el nivel de suciedad del filtro. Para restablecer, presione Cancel (Cancelar).

Para quitar el filtro:

- 1 Retire la rejilla inferior y el brazo de rociado inferior.
- 2 Gire el filtro hacia la izquierda, luego levante para extraerlo. Consulte la siguiente ilustración.



Extracción del filtro

Recomendaciones para el cuidado

LIMPIEZA

Acero inoxidable	Utilice un limpiador no abrasivo para acero inoxidable y aplique con un paño suave que no deje pelusa. Para resaltar el lustre natural, limpie suavemente la superficie con una tela de microfibra humedecida con agua y, luego, pule en seco con una gamuza. Siempre siga la dirección del acabado del acero inoxidable.
Panel de control	Limpie con un paño húmedo.
Rejillas del lavavajillas	Consulte la página 12 para el desmontaje. Limpie con un paño húmedo.
Interior	Limpie con un paño húmedo el interior, el borde de la puerta y las juntas de goma. Si es necesario, rocíe limpiador doméstico sobre el paño. No aplique los limpiadores directamente sobre la puerta. Use un limpiador para lavavajillas (siga las instrucciones del paquete) o coloque 1 taza de vinagre y 2 cucharadas de bicarbonato de sodio en un recipiente en el estante del medio y ejecute un ciclo de lavado fuerte.
Brazos de rociado	Consulte la página 16 para el desmontaje. Colóquelo bajo el chorro de agua y use un clip para papel o similar para eliminar la suciedad de los agujeros.
Filtro	Consulte la página 16 para el desmontaje. Limpie con agua y jabón. Utilice un cepillo suave para los depósitos de tierra o calcio difíciles de eliminar. No utilice un cepillo de alambre o estropajo.
Empaque	Limpie con un paño húmedo. Use agua tibia jabonosa y un cepillo de dientes. Si hay hongos o moho, rocíe con peróxido de hidrógeno al 3%.

Solución de problemas

FUNCIONAMIENTO

El lavavajillas no funciona.

- Compruebe que esté encendido.
- Compruebe que la alimentación eléctrica al lavavajillas y el interruptor de circuito general de la casa estén encendidos.
- Verifique que los modos de bloqueo para niños, Shabat y sala de exhibición no estén encendidos.

Los platos no están limpios luego de un ciclo de lavado.

- Verifique el suministro de agua caliente.
- Verifique que los brazos de rociado giren libremente girando a mano.
- Verifique que los platos no estén colocados demasiado cerca y que las tazas y los tazones estén boca abajo.
- Póngase en contacto con atención al cliente de Cove al 800-222-7820 para recomendaciones.

Los platos no están secos después del ciclo de lavado.

- Verifique que haya un agente de enjuague en el dispensador (incluso si el detergente incluye un agente de enjuague).
- Seleccione un ciclo de lavado que no sea Quick (Rápido) o Light (Ligero), que tiene un tiempo de secado limitado.
- Encienda Extra Dry y / o Extended Dry. Consulte Opciones de ciclo en la página 6.
- Aumentar la dosificación de abrillantador. Consulte User Setup en la página 9.

Exceso de humedad en la bañera al final del ciclo de lavado.

- Verifique que haya un agente de enjuague en el dispensador (incluso si el detergente incluye un agente de enjuague).

“Check manual, Code #800140” (Verifique el manual, código #800140) aparece en la pantalla.

- Verifique que el drenaje esté despejado y sin residuos.
- Verifique que la tubería de drenaje no esté retorcida.

“Check manual, Code #560186 or #560187” (Verificar el manual, código #560186 o #560187) aparece en la pantalla.

- Verifique que el suministro de agua esté en la posición de encendido.
- Verifique que la tubería de suministro de agua no esté retorcida.

“Call Service, Code #600148”, #600149, or #600151” (Llame a servicio, código #600148”, #600149 o #600151) aparece en la pantalla.

- Póngase en contacto con el servicio certificado de fábrica de Cove.

SERVICIO

- Para mantener la calidad incorporada en su producto, póngase en contacto con el servicio certificado de fábrica de Cove. Para conocer los datos del centro de Servicio certificado de fábrica de Cove, consulte la sección de contacto y servicio técnico en nuestro sitio web, coveappliance.com, o bien, llame a la línea de atención al cliente de Cove al 800-222-7820.
- Al comunicarse con el servicio, necesitará el modelo y el número de serie de su producto. Los dos números aparecen en la placa de datos del producto. Consulte la página 4 para encontrar la placa de datos.
- Para fines de la garantía, usted también necesitará la fecha de instalación y el nombre de su distribuidor autorizado Cove. Esta información debe estar registrada en la página 2 de este manual.

Garantía limitada residencial de Cove Appliance

PARA USO RESIDENCIAL

GARANTÍA COMPLETA DE CINCO AÑOS*

Durante cinco años a partir de la fecha de la instalación original, la garantía de su producto Cove Appliance cubre todas las piezas y mano de obra para reparar o cambiar, de acuerdo con el uso residencial normal, cualquier pieza del producto que se compruebe estar defectuosa en material o mano de obra. Todos los servicios proporcionados por Cove Appliance bajo la garantía anterior deben ser ejecutados por servicios certificados de fábrica de Cove, a menos que Cove Appliance, Inc. lo especifique de otra manera. El Servicio se hará durante el horario comercial normal.

GARANTÍA PERPETUA LIMITADA

Durante la vida útil del producto, Cove Appliance reparará o reemplazará los siguientes componentes que se comprueben estar defectuosos en material o mano de obra: la cuba de acero inoxidable y revestimiento de la puerta (excepto corrosión de superficies, rayones, decoloración, manchas causadas por las condiciones meteorológicas y atmosféricas y corrosión y oxidación menor de la superficie). Si el propietario utiliza el servicio certificado de fábrica de Cove, el prestador del servicio reparará o reemplazará estas partes mediante el pago de todos los otros costos, incluyendo mano de obra, a cargo del propietario. Si el propietario usa un servicio no certificado, debe ponerse en contacto con Cove Appliance, Inc. (mediante la información anotada más adelante) para recibir los componentes reparados o de cambio. Cove Appliance no reembolsará al propietario los importes correspondientes a los componentes comprados a un servicio no autorizado o a otras fuentes.

TÉRMINOS APLICABLES A CADA GARANTÍA

La garantía se aplica solamente a los productos instalados para uso residencial normal. La garantía se aplica solamente a los productos instalados en cualquiera de los cincuenta estados de Estados Unidos, el Distrito de Columbia o las diez provincias de Canadá. Esta garantía no cubre las partes o mano de obra para corregir cualquier defecto causado por negligencia, accidente o uso, mantenimiento, instalación, servicio o reparación inadecuados.

LOS RECURSOS DESCRITOS ANTERIORMENTE PARA CADA GARANTÍA SON LOS ÚNICOS QUE COVE APPLIANCE, INC. PROPORCIONARÁ, YA SEA BAJO ESTA GARANTÍA O BAJO CUALQUIER GARANTÍA QUE RESULTE DE LA APLICACIÓN DE LA LEY. COVE APPLIANCE, INC. NO SE HACE RESPONSABLE POR LOS DAÑOS INDIRECTOS O INCIDENTALES DERIVADOS DEL INCUMPLIMIENTO DE ESTA GARANTÍA O CUALQUIER OTRA GARANTÍA, YA SEA EXPRESA, IMPLÍCITA O LEGAL.

Algunos estados no permiten la exclusión o limitación de daños fortuitos o imprevistos, por lo que la limitación o exclusión anterior podría no aplicar a su caso. Esta garantía le otorga derechos legales específicos y usted también puede tener otros derechos legales que varían entre estados.

Para recibir las partes o el servicio y el nombre del servicio certificado de fábrica de Cove más cercano a usted, póngase en contacto con Cove Appliance, Inc., P.O. Box 44848, Madison, WI 53744; eche un vistazo a la sección de contacto y servicio técnico en nuestro sitio web, coveappliance.com, envíenos un correo electrónico a customerservice@subzero.com o llame al 800-222-7820.

*Las puertas, paneles, asas, marcos y superficies internas de acero inoxidable están cubiertas por una garantía limitada de 60 días para repuestos y mano de obra, por defectos cosméticos.



Table des matières

- 3 Précautions de sécurité
- 4 Caractéristiques du lave-vaisselle
- 5 Fonctionnement du lave-vaisselle
- 15 Conseils d'entretien
- 17 Dépannage
- 19 Garantie de Cove

Service à la clientèle

Le numéro de modèle et le numéro de série sont imprimés sur la fiche d'enregistrement du produit ci-jointe. Les deux numéros sont aussi indiqués sur la plaque signalétique du produit. Reportez-vous à la page 4 pour connaître l'emplacement de la plaque signalétique. Pour les besoins de la garantie, vous devrez aussi avoir la date d'installation et le nom de votre dépositaire Cove autorisé. Inscrivez ces renseignements ci-dessous pour consultation ultérieure.

RENSEIGNEMENTS SUR LE SERVICE

Numéro de modèle

Numéro de série

Date de l'installation

Nom du service certifié

Numéro du service certifié

Dépositaire autorisé

Numéro du dépositaire

Si votre produit a besoin d'être réparé, assurez-vous d'utiliser un fournisseur de service certifié par l'usine Cove recommandé par notre centre de service à la clientèle, ou sélectionnez-en un parmi la liste de fournisseurs disponibles à coveappliance.com/locator. Tous les fournisseurs de service certifiés par l'usine sont soigneusement sélectionnés et rigoureusement formés par nous.

Remarque importante

Pour s'assurer que ce produit est installé et utilisé en toute sécurité et aussi efficacement que possible, prenez note des types de renseignement mis en évidence tout au long de ce guide :

REMARQUE IMPORTANTE met en évidence des renseignements qui sont particulièrement importants.

MISE EN GARDE indique une situation où une blessure mineure ou des dommages au produit peuvent se produire si les directives ne sont pas respectées.

AVERTISSEMENT décrit un danger qui peut causer une blessure grave ou la mort si les précautions ne sont pas respectées.

REMARQUE IMPORTANTE : Tout au long de ce guide, les dimensions entre parenthèses sont en millimètres à moins d'indication contraire.

DIRECTIVES IMPORTANTES

IMPORTANTES DIRECTIVES DE SÉCURITÉ

▲ AVERTISSEMENT

Lorsque vous utilisez votre lave-vaisselle, prenez des précautions de base, y compris les suivantes :

- Lisez toutes les directives avant d'utiliser le lave-vaisselle.
- Utilisez le lave-vaisselle uniquement pour sa fonction prévue.
- Les lave-vaisselle certifiés résidentiels ne sont pas conçus pour les établissements de service alimentaire titulaires d'un permis.
- Utilisez uniquement des détergents ou des agents mouillants recommandés pour utilisation dans un lave-vaisselle et gardez-les hors de la portée des enfants.
- Lorsque vous chargez des articles à laver, placez les articles coupants de manière à ne pas endommager le joint de la porte et insérez les couteaux pointus avec la pointe vers le bas en vue de réduire le risque de blessure.
- Ne lavez pas les articles en plastique à moins qu'ils ne soient marqués « sans danger pour le lave-vaisselle » ou d'une indication similaire. Pour les articles en plastique non marqués, consultez les recommandations du fabricant.
- Ne touchez pas à l'élément de chauffage durant ou immédiatement après l'utilisation.
- Ne falsifiez pas les commandes.
- N'utilisez pas votre lave-vaisselle à moins que tous les panneaux du coffre soient bien en place.
- Ne maltraitez pas, ne vous asseyez pas et ne vous tenez pas sur la porte ou le panier à vaisselle du lave-vaisselle.
- Pour éviter tout risque de trébuchement, ne laissez pas la porte du lave-vaisselle ouverte.
- Pour réduire le risque de blessure, ne laissez pas les enfants jouer dans ou sur un lave-vaisselle.
- Dans certaines conditions, du gaz d'hydrogène peut être émis par un système d'eau chaude qui n'a pas été utilisé pendant deux semaines ou plus. LE GAZ D'HYDROGÈNE EST EXPLOSIF. Si le système d'eau chaude n'a pas été utilisé pendant deux semaines ou plus, avant d'utiliser le lave-vaisselle, ouvrez tous les robinets d'eau chaude et laissez l'eau s'écouler de chacun d'eux pendant plusieurs minutes. Cela permet de libérer toute accumulation de gaz d'hydrogène. Puisque ce gaz est inflammable, ne fumez pas et n'utilisez pas une flamme nue pendant ce temps.
- Seuls les cycles de lavage avec l'option Sani Rinse choisie ont été désignés pour répondre à la norme de performance 184 de la NSF/ANSI concernant l'élimination de saleté et l'efficacité d'assainissement. Il n'existe aucune intention, directe ou indirecte, d'insinuer que tous les cycles d'une machine certifiée ont passé le test de performance d'assainissement.
- Retirez la porte du compartiment de lavage lorsque vous mettez un vieux lave-vaisselle hors de service ou lorsque vous l'éliminez.
- Toute ouverture dans l'armoire adjacente doit respecter les exigences suivantes : la dimension la plus longue de l'ouverture ne doit pas dépasser 1½ po (38).

▲ AVERTISSEMENT

PROPOSITION 65 POUR RESIDENTS DE LA CALIFORNIE

Cancer et Troubles de l'appareil reproducteur—
www.P65Warnings.ca.gov

▲ AVERTISSEMENT

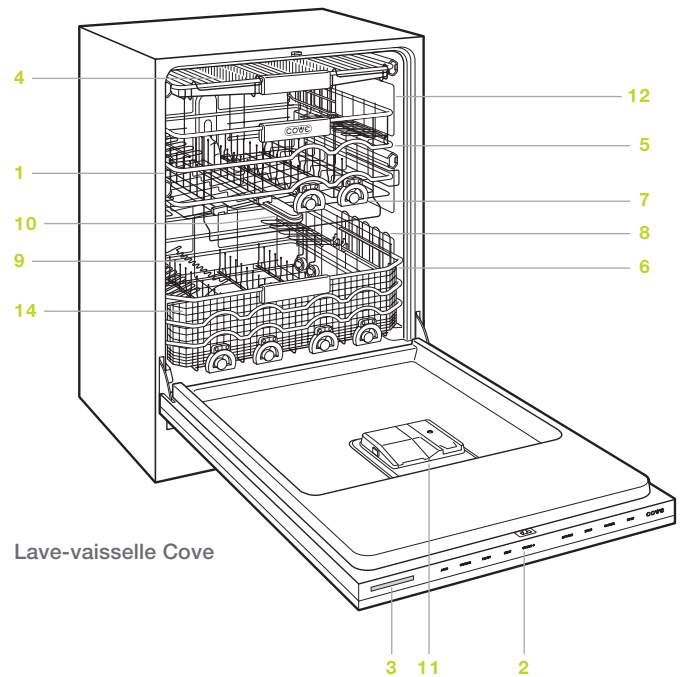
 TENSION DANGEREUSE.

CONSERVEZ CES DIRECTIVES

Caractéristiques du lave-vaisselle

CARACTÉRISTIQUES

1	Plaque signalétique du produit
2	Panneau de commande caché
3	Écran du panneau de commande
4	Panier à couverts supérieur amovible
5	Panier du milieu à hauteur réglable
6	Panier inférieur
7	Réglage des dents repliables
8	Tablette repliable
9	Support pour verres à pied
10	Bras de pulvérisation du milieu
11	Distributeur de détergent/produit de rinçage
12	Intérieur éclairé par DEL
13	Voyant de statut (côté droit, sous la porte)
14	Paniers d'ustensiles inférieurs (non montrés)



Lave-vaisselle Cove

Comment commencer

Nous savons que vous êtes impatient de commencer à utiliser votre lave-vaisselle, mais avant de le faire, veuillez prendre quelques instants pour lire ce guide d'utilisation et d'entretien. Il est dans votre intérêt de vous familiariser avec les pratiques de sécurité, les caractéristiques, le fonctionnement et les recommandations d'entretien de votre lave-vaisselle Cove.

REMARQUE : Chaque unité est testée avant d'être expédiée et peut contenir des résidus d'eau.

Avant l'utilisation

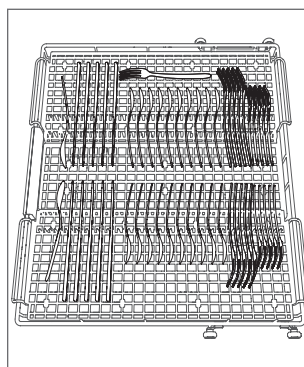
Pour les modèles à adoucisseur d'eau seulement, utilisez la bandelette de test fournie pour déterminer la dureté de l'eau. Reportez-vous à Configuration de l'utilisateur à la page 9 pour régler la dureté de l'eau.

Versez de l'eau dans le compartiment de sel avant d'ajouter le sel pour la première fois. Reportez-vous à Adoucisseur d'eau à la page 15 pour de plus amples renseignements.

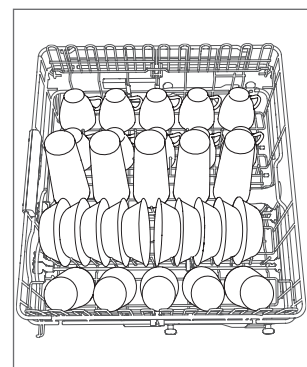
Disposition des assiettes

Les illustrations ci-dessous montrent une disposition typique pour les paniers supérieur, du milieu et inférieur. Le panier réglable du milieu a été testé par l'AHAM (association des fabricants d'appareils électroménagers) en position supérieure.

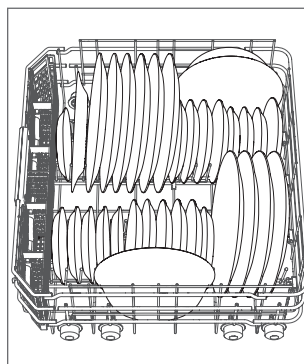
REMARQUE: Les bras gicleurs doivent tourner librement avant de démarrer un cycle de lavage.



Panier à couverts supérieure



Panier du milieu



Panier inférieur

Fonctionnement du lave-vaisselle

PANNEAU DE COMMANDE



Panneau de commande

CYCLES DE LAVAGE

Régler un cycle de lavage :

- 1 Appuyez sur le cycle de lavage désiré ou appuyez sur Cycles+ plusieurs fois pour défiler jusqu'au cycle de lavage voulu.
- 2 Appuyez sur Start (Démarrage) et fermez la porte dans un délai de quatre secondes.

REMARQUE : Pour incorporer une option de cycle au cycle de lavage, appuyez sur Options avant d'appuyer sur Start (Démarrage). Reportez-vous aux options de cycle. Pour modifier le cycle après avoir enfoncé Start (Démarrage), appuyez sur Cancel (Annuler).

OPTIONS DE CYCLE

OPTION	DESCRIPTION
Mise en marche différée	Retarde la mise en marche du cycle de lavage de 1 à 12 heures dans des incréments d'une heure.
Lavage à haute température	Augmente la température du lavage principal et prolonge la durée du cycle de 10 minutes.
Rinçage sanitaire*	Augmente la température de l'eau de rinçage et prolonge la durée du rinçage de 15 minutes.
Séchage prolongé	Prolonge la durée du séchage de 30 minutes.
Séchage supérieur	Augmente la température de l'eau de rinçage et prolonge la durée de séchage de 30 minutes.
Paniers supérieurs seulement	Dirige les fonctions de lavage vers les paniers supérieur et du milieu seulement.

*Assainit conformément à la norme 184 de la NSF/ANSI pour les lave-vaisselle résidentiels.

Réglage des options de cycle :

- 1 Sélectionnez le cycle de lavage voulu.
- 2 Appuyez sur Options.
- 3 Appuyez sur Options plusieurs fois pour faire défiler les options de cycle.
- 4 Appuyez sur Enter (Entrer) pour sélectionner l'option voulue et continuez à enfoncer Enter (Entrer) jusqu'à ce que le paramètre voulu apparaissent sur l'écran.
- 5 Appuyez sur Options à nouveau pour sélectionner d'autres options.
- 6 Appuyez sur Start (Démarrage) et fermez la porte dans un délai de quatre secondes.

Pour interrompre un cycle :

- 1 Ouvrez la porte.
- 2 Pour remettre le cycle en marche, appuyez sur Start (Démarrage) et fermez la porte dans un délai de quatre secondes.

Pour annuler un cycle :

- 1 Ouvrez la porte.
- 2 Appuyez sur Cancel (Annuler) et suivez les directives affichées sur l'écran.

Fonctionnement du lave-vaisselle

CYCLES DE LAVAGE

CYCLE	DURÉE DU CYCLE*	DURÉE DU SÉCHAGE	CONSOMMATION D'EAU	DÉTERGENT**	OPTIONS
AUTO	2:07 à 3:55	:40	4,0 à 8,4 gal	2 c. à soupe	Mise en marche différée, lavage à haute température, rinçage sanitaire, séchage prolongé, séchage supérieur, paniers supérieurs seulement
NORMAL	2:40	:40	3,0 à 8,3 gal	2 c. à soupe	Mise en marche différée, lavage à haute température, rinçage sanitaire, séchage prolongé, séchage supérieur, paniers supérieurs seulement
HEAVY (INTENSE)	3:25	:40	7,3 gal	2 c. à soupe	Mise en marche différée, lavage à haute température, rinçage sanitaire, séchage prolongé, séchage supérieur
QUICK (RAPIDE)***	:58	:10	3,3 gal	½ c. à soupe	Séchage supérieur, paniers supérieurs seulement

CYCLES+	DURÉE DU CYCLE*	DURÉE DU SÉCHAGE	CONSOMMATION D'EAU	DÉTERGENT**	OPTIONS
POTS & PANS (CHAUDRONS ET CASSEROLES)	3:55	:40	8,4 gal	2 c. à soupe	Mise en marche différée, lavage à haute température, rinçage sanitaire, séchage prolongé, séchage supérieur
SOAK & SCRUB (TREMPAGE ET RÉCURAGE)	5:35	:40	8,5 gal	2 c. à soupe	Mise en marche différée, lavage à haute température, rinçage sanitaire, séchage prolongé, séchage supérieur
LIGHT (LÉGER)***	1:53	:15	3,0 gal	2 c. à soupe	Mise en marche différée, lavage à haute température, rinçage sanitaire, séchage prolongé, séchage supérieur, paniers supérieurs seulement
CHINA / CRYSTAL (PORCELAINE/ CRISTAL)	1:58	:40	3,0 gal	½ c. à soupe	Mise en marche différée, séchage prolongé, paniers supérieurs seulement
RINSE / HOLD (RINÇAGE/ ATTENTE)	:15	:00	2,2 gal	0 c. à soupe	
PLASTICS (PLASTIQUE)	02:32	:45	3,0 gal	1 c. à soupe	Mise en marche différée, lavage à haute température, rinçage sanitaire, séchage prolongé, séchage supérieur
ENERGY (ÉNERGIE)	02:08	:40	2,9 gal	2 c. à soupe	Mise en marche différée, séchage prolongé
EXTRA QUIET (EXTRA SILENCIEUX)	2:50	:40	4,4 gal	2 c. à soupe	Mise en marche différée, séchage prolongé, séchage supérieur, paniers supérieurs seulement

*Comprend la durée du séchage. **Détergent en poudre. ***La durée raccourcie du cycle affecte la performance du séchage.

Fonctionnement du lave-vaisselle

DESCRIPTION DU CYCLE

CYCLE	DESCRIPTION
AUTO	Pour tous les niveaux de sol. S'ajuste automatiquement au temps de lavage optimal, à la température de l'eau et à la consommation d'eau.
NORMAL	Pour les plats normalement sales de l'utilisation quotidienne typique. Durée moyenne de lavage, température de l'eau et consommation d'eau.
HEAVY (INTENSE)	Pour la vaisselle très sale. Augmente légèrement le temps de lavage, la température de l'eau et la consommation d'eau.
QUICK (RAPIDE)	Pour la vaisselle peu sale. Réduit le temps de lavage global.

CYCLES+	DESCRIPTION
POTS & PANS (CHAUDRONS ET CASSEROLES)	Pour les casseroles et les casseroles très encrassées vaisselle. Augmente le temps de lavage et augmente légèrement la température et la consommation d'eau.
SOAK & SCRUB (TREMPAGE ET RÉCURAGE)	Pour les plats les plus sales. Augmente considérablement le temps de lavage et augmente légèrement la température et la consommation d'eau.
LIGHT (LÉGER)	Pour la vaisselle très légèrement sale. Réduit le temps et la température de lavage.
CHINA / CRYSTAL (PORCELAINE/ CRISTAL)	Pour les plats sensibles à la température et légèrement sales. Diminue les températures de cycle.
RINSE / HOLD (RINÇAGE/ ATTENTE)	Pour tous les niveaux de sol. Rince et retient la vaisselle pour un prochain cycle de lavage.
PLASTICS (PLASTIQUE)	Pour la vaisselle très à légèrement sale. Augmente la température de l'eau de rinçage finale et augmente le temps de séchage du ventilateur pour augmenter les performances de séchage du plastique.
ENERGY (ÉNERGIE)	Pour la vaisselle régulièrement sale. Diminue la température de l'eau et allonge le temps de cycle pour réduire la consommation d'énergie. Diminue la température de l'eau et allonge le temps de cycle.
EXTRA QUIET (EXTRA SILENCIEUX)	For lightly soiled dishes. Reduces pump speeds.

Fonctionnement du lave-vaisselle

CONFIGURATION DE L'UTILISATEUR

La configuration de l'utilisateur permet à ce dernier de choisir des préférences pour les options indiquées dans le tableau ci-dessous.

OPTIONS DE L'UTILISATEUR

Langue	Sélectionne la langue.
Dureté de l'eau	Règle le paramètre de dureté de l'eau.
Connexion?	Met en marche ou arrête la connexion.*
Niveau de la tonalité	Règle le niveau de la tonalité.
Notification	Met en marche ou arrête la sonnerie de fin de cycle.
Vitesse de défilement	Règle la vitesse du défilement à l'écran.
Contraste de l'affichage	Règle le contraste de l'affichage.
Luminosité de l'affichage	Règle la luminosité de l'affichage.
Lumière au sol	Règle la luminosité du voyant de statut.
Dosage du produit de rinçage	Règle la quantité de produit de rinçage distribuée.
Mode démonstration	Pour utilisation dans les salles d'exposition seulement.
Réinitialiser tous	Rétablit les paramètres réglés en usine.

*Pour vous connecter à l'appli Sub-Zero Group Owners, l'option connexion doit être mise en marche.

Réglage des options de l'utilisateur :

- 1 Appuyez sur Cancel (Annuler) deux fois.
- 2 Enfoncez la touche Options pendant environ trois secondes jusqu'à ce que « User Set Up » (Configuration de l'utilisateur) apparaissent sur l'écran.
- 3 Appuyez sur Options plusieurs fois pour défiler jusqu'à l'option voulue.
- 4 Appuyez sur Enter (Entrer) pour faire défiler ou sélectionner le paramètre voulu.
- 5 Appuyez sur Cancel (Annuler) pour quitter la configuration de l'utilisateur.

DURETÉ DE L'EAU

Pour les modèles à adoucisseur d'eau seulement, utilisez la bandelette d'essai et le tableau ci-dessous pour déterminer le paramètre de dureté de l'eau approprié. Reportez-vous au tableau ci-dessous pour déterminer le paramètre de dureté de l'eau.

PARAMÈTRE	DURETÉ
0 (paramètre par défaut)	0 à 4 g/gal
1	5 à 6 g/gal
2	7 à 8 g/gal
3	9 à 11 g/gal
4	12 à 13 g/gal
5	14 à 15 g/gal
6	16 à 17 g/gal
7	18 à 19 g/gal
8	20 à 22 g/gal
9	23 à 24 g/gal
10	25+ g/gal

Verrouillage des commandes

La fonction de verrouillage des commandes empêche le fonctionnement non désiré du panneau de commande. La fonction de verrouillage demeurera activée, même après une panne de courant.

Pour activer ou désactiver la fonction de verrouillage des commandes :

- 1 Pour mettre en marche, enfoncez et tenez Heavy (Intense) pendant environ 10 secondes jusqu'à ce que « Child Lock: On » (Verrouillage des commandes : marche) apparaisse sur l'écran. « Locked » (Verrouillé) apparaîtra sur l'écran jusqu'à ce que le verrouillage des commandes soit désactivé.
- 2 Pour désactiver, enfoncez et tenez Heavy (Intense) pendant environ 10 secondes jusqu'à ce que « Child Lock: Off » (Verrouillage des commandes : arrêt) apparaisse sur l'écran.

REMARQUE IMPORTANTE : La fonction de verrouillage des commandes et la fonction Shabbath ne peuvent pas être mises en marche en même temps.



Cet appareil est certifié par Star-K pour répondre à des règlements religieux rigoureux relativement à des directives précises se trouvant sur www.star-k.org.

La fonction Shabbath demeurera activée, même après une panne de courant.

Pour activer ou désactiver la fonction Shabbath :

- 1 Pour mettre en marche, enfoncez et tenez Quick (Rapide) pendant environ 10 secondes jusqu'à ce que « Sabbath » (Shabbath) apparaisse sur l'écran. « Sabbath » (Shabbath) apparaîtra sur l'écran jusqu'à ce que la fonction Shabbath soit désactivée.
- 2 Pour désactiver, enfoncez et tenez Quick (Rapide) pendant environ 10 secondes jusqu'à ce que « Sabbath Off » (Shabbath arrêté) apparaisse sur l'écran.

REMARQUE IMPORTANTE : La fonction de verrouillage des commandes et la fonction Shabbath ne peuvent pas être mises en marche en même temps.

Lumières

VOYANT DE STATUT

Le voyant de statut s'illumine pour indiquer le statut du cycle.

VOYANT	STATUT DU CYCLE
Bleu	Une mise en marche différée a été choisie. Appuyez sur Start (Démarrage) chaque fois que la porte est ouverte avant l'heure de mise en marche.
Rouge	Le cycle a commencé.
Vert	Le cycle est terminé.
Pas de voyant	La porte n'a pas été fermée dans un délai de quatre secondes après avoir enfoncé Start (Démarrage), le cycle est terminé depuis plus de deux heures ou la porte a été ouverte.

LUMIÈRE INTÉRIEURE

Les lumières intérieures s'allumeront lorsque la porte est ouverte. Elles demeureront allumées pendant 10 minutes, s'atténueront après 10 minutes et s'éteindront après 15 minutes. Tout mouvement de la porte allume les lumières.

Paniers du lave-vaisselle

RETRAIT DES PANIERS

Tous les paniers peuvent être retirés. Au besoin, le lave-vaisselle peut être utilisé lorsque l'un ou l'autre des paniers est retiré.

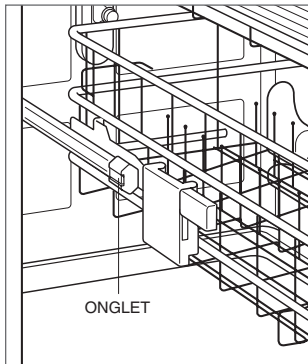
Pour retirer les paniers du haut et du milieu :

REMARQUE IMPORTANTE : Si le panier du milieu est retiré, la buse de pulvérisation doit être installée avant de commencer un cycle. Reportez-vous à l'illustration ci-dessous.

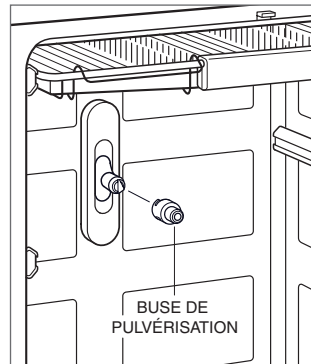
- 1 Tirez le panier jusqu'à sa pleine extension.
- 2 Tirez sur l'onglet situé sur le côté des pinces de panier et retirez les pinces de l'extrémité de chaque glissière de panier. Reportez-vous à l'illustration ci-dessous.
- 3 Tirez le panier vers l'avant pour le retirer.

Pour retirer le panier inférieur :

- 1 Tirez le panier jusqu'à sa pleine extension.
- 2 Soulevez vers le haut et l'extérieur.



Retrait du panier



Installation de la buse de pulvérisation

PANIER À HAUTEUR RÉGLABLE

Pour déplacer le panier vers le bas :

- 1 Tirez le panier vide jusqu'à sa pleine extension.
- 2 Soulevez les leviers de réglage verts de chaque côté et laissez le panier se déplacer vers le bas jusqu'à l'endroit voulu. Les leviers de réglage ne sont utilisés que pour déplacer le panier vers le bas. Reportez-vous à l'illustration ci-dessous.

Pour déplacer le panier vers le haut :

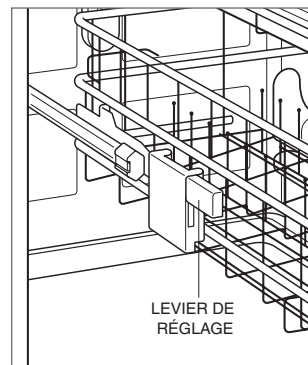
- 1 Tirez le panier jusqu'à sa pleine extension.
- 2 Soulevez le panier au-dessus des leviers de réglage.

DENTS REPLIABLES

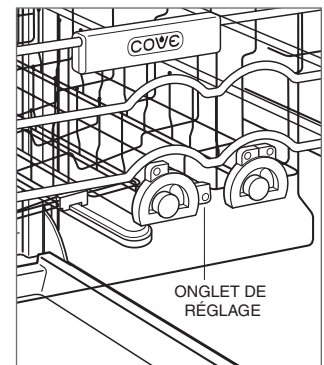
Certaines des dents peuvent être ajustées pour accommoder une variété de vaisselle.

Pour ajuster les dents repliables :

- 1 Tirez le panier jusqu'à sa pleine extension.
- 2 Poussez et tournez les onglets de réglage verts pour replier les dents voulues. Reportez-vous à l'illustration ci-dessous.



Réglage de la hauteur



Ajustement des dents

Paniers du lave-vaisselle

TABLETTES REPLIABLES

Les paniers supérieur et du milieu sont munis de tablettes repliables qui peuvent être ajustées pour accommoder des objets plus petits et soutenir des verres à pied.

Pour ajuster les tablettes repliables :

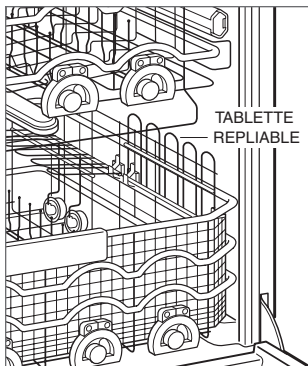
- 1 Pivotez la tablette vers le bas. Reportez-vous à l'illustration ci-dessous.

SUPPORT POUR VERRES À PIED

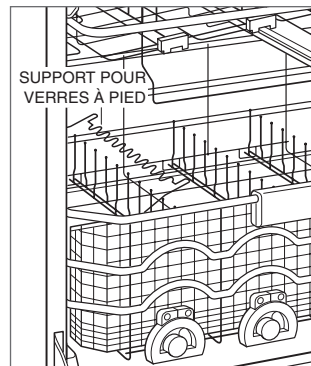
Le panier inférieur possède un support pour verres à pied qui peut être ajusté pour accommoder des verres à pied.

Pour ajuster le support pour verres à pied :

- 1 Pivotez le support vers le bas. Reportez-vous à l'illustration ci-dessous.



Tablette repliable



Support pour verres à pied

PANIER D'USTENSILES

Les paniers d'ustensiles sont situés à l'avant du panier inférieur et peuvent être retirés.

Pour retirer les paniers d'ustensiles :

- 1 Tirez le panier inférieur jusqu'à sa pleine extension.
- 2 Soulevez le panier vers le haut et l'extérieur.

⚠ AVERTISSEMENT

Les couteaux et les autres ustensiles pointus doivent être placés dans les paniers en gardant la pointe vers le bas ou encore, en position horizontale.

Distributeur

Le distributeur situé dans la partie intérieure de la porte possède un compartiment pour le détergent et un autre pour le produit de rinçage. Reportez-vous aux illustrations ci-dessous. Cove recommande l'utilisation du détergent Finish®.

REMARQUE : Finish® est une marque de commerce de Reckitt Benckiser N.V.

REMARQUE: utilisez toujours un produit de rinçage même si le détergent contient produit de rinçage.

Pour ajouter du détergent pour lave-vaisselle :

- 1 Versez le détergent dans le compartiment situé à la gauche.
- 2 Glissez le couvercle pour le fermer.

Pour ouvrir le couvercle lorsqu'il est fermé, enfoncez le bouton situé sur le côté du distributeur.

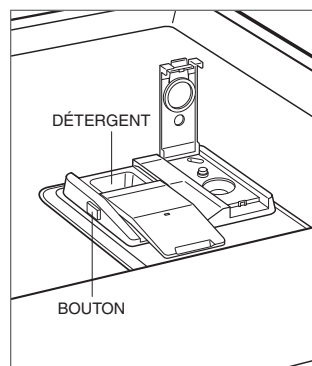
Pour ajouter un produit de rinçage :

- 1 Soulevez l'onglet du couvercle à la droite.
- 2 Ajoutez le produit de rinçage. Le compartiment pour produit de rinçage est plein lorsque l'indicateur est de la même couleur que le produit.
- 3 Essuyez tout produit de rinçage qui pourrait avoir été renversé.

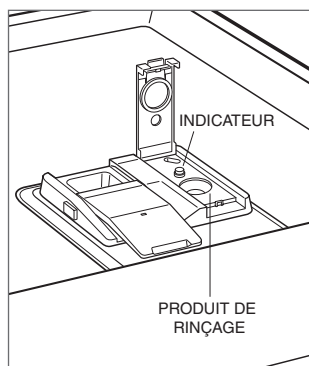
Lorsqu'il reste peu de produit de rinçage, « Add Rinse Aid. Enter once added, Cancel to ignore » (Ajouter produit de rinçage. Entrer une fois terminé, annuler pour ignorer) apparaît sur l'écran.

⚠ MISE EN GARDE

N'ajoutez rien d'autre que du détergent pour lave-vaisselle au compartiment de détergent et un produit de rinçage au compartiment de produit de rinçage.



Distributeur de détergent



Distributeur de produit de rinçage

Adoucisseur d'eau

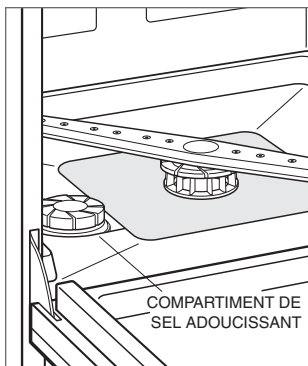
Pour les modèles à adoucisseur d'eau seulement, un compartiment de sel se trouve au fond à l'intérieur. Reportez-vous à l'illustration ci-dessous.

Avant de remplir le compartiment de sel pour la première fois, remplissez le compartiment avec de l'eau. Vous n'aurez pas à ajouter de l'eau lors des remplissages subséquents.

Lorsqu'il reste peu de sel adoucissant, « Add Salt. Enter ounce added, Cancel to ignore » (Ajouter produit de rinçage. Entrer une fois terminé, annuler pour ignorer) apparaît sur l'écran.

Pour ajouter du sel adoucissant :

- 1 Tirez le panier inférieur vers l'avant, et si nécessaire, tournez le bras de pulvérisation inférieur loin du couvercle du compartiment.
- 2 Tournez le couvercle dans le sens antihoraire pour le retirer. Il est normal de voir de l'eau dans le réservoir.
- 3 Remplissez le compartiment au complet avec du sel adoucissant pour lave-vaisselle.
- 4 Une fois rempli, nettoyez tout excédent de sel se trouvant sur les filets du compartiment de sel, puis tournez le couvercle dans le sens horaire pour le fermer solidement.
- 5 Lancez un cycle rapide.



Compartiment de sel adoucissant

⚠ MISE EN GARDE

N'ajoutez pas toute autre chose que du sel à lave-vaisselle au compartiment de sel.

L'adoucisseur d'eau doit se régénérer périodiquement pour maintenir la qualité de l'eau. Lorsque cela est nécessaire, le processus de régénération commence automatiquement avant le cycle de lavage suivant (exclut le rinçage/attente) et dure environ 20 minutes. Le cycle de lavage commence lorsque le processus de régénération est terminé. « Water softener active. Press Start » (Adoucisseur d'eau actif. Appuyer sur démarrage) apparaît sur l'écran durant le processus de régénération. Pour continuer, appuyez sur Start (Démarrage) et fermez la porte.

Nettoyage

BRAS DE PULVÉRISATION

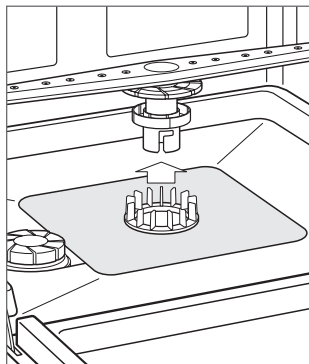
Les bras de pulvérisation supérieur et inférieur sont amovibles pour les nettoyer. Le bras de pulvérisation du milieu n'est pas amovible.

Pour retirer le bras de pulvérisation supérieur :

- 1 Pour accéder au bras de pulvérisation supérieur, retirez le panier à couverts supérieur.
- 2 Pivotez l'assemblage du bras de pulvérisation dans le sens antihoraire pour le retirer.

Pour retirer le bras de pulvérisation inférieur :

- 1 Pour accéder au bras de pulvérisation inférieur, retirez le panier inférieur.
- 2 Pivotez le bras de pulvérisation inférieur dans le sens antihoraire d'un huitième de tour, puis soulevez pour le retirer. Reportez-vous à l'illustration ci-dessous.



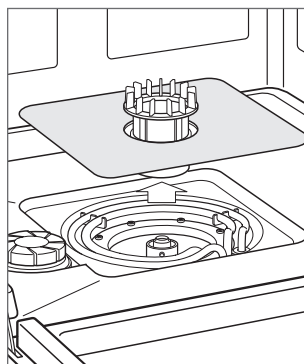
Retrait du bras de pulvérisation inférieur

FILTRE

Le filtre doit être lavé souvent. Une utilisation intense peut nécessiter des lavages plus fréquents. « Clean Filter » (Nettoyer le filtre) apparaît sur l'écran après 30 cycles. Il s'agit d'un rappel et ne représente pas le niveau de saleté du filtre. Pour réinitialiser, appuyez sur Cancel (Annuler).

Pour retirer le filtre :

- 1 Retirez le panier inférieur et le bras de pulvérisation inférieur.
- 2 Tournez le filtre dans le sens antihoraire, puis soulevez-le pour le retirer. Reportez-vous à l'illustration ci-dessous.



Retrait du filtre

Conseils d'entretien

NETTOYAGE

Acier inoxydable	Utilisez un nettoyant non abrasif pour l'acier inoxydable et appliquez-le avec un chiffon doux non pelucheux. Pour faire ressortir le lustre naturel, essuyez légèrement la surface avec un chiffon en microfibre humecté d'eau, suivi d'un chamois à polir sec. Suivez toujours le grain de l'acier inoxydable.
Panneau de commande	Essuyez avec un chiffon humide.
Paniers du lave-vaisselle	Reportez-vous à la page 12 pour le retrait. Essuyez avec un chiffon humide.
Intérieur	Essuyez l'intérieur, le rebord de la porte et le joint en caoutchouc avec un chiffon humide. Si nécessaire, pulvérisez un nettoyant domestique sur le chiffon. Ne pulvérisez pas directement sur la porte. Utilisez un nettoyant pour lave-vaisselle (suivez les instructions sur l'emballage) ou placez 1 tasse de vinaigre et 2 cuillères à soupe de bicarbonate de soude dans un récipient sur la grille du milieu et exécutez un cycle de lavage lourd.
Bras de pulvérisation	Reportez-vous à la page 16 pour le retrait. Placer sous l'eau courante et utiliser un trombone ou similaire pour enlever les débris des trous.
Filtre	Reportez-vous à la page 16 pour le retrait. Nettoyez avec de l'eau et du savon. Pour la saleté rebelle ou les dépôts de calcium, utilisez une brosse souple. N'utilisez pas une brosse métallique ou un tampon à récurer.
Joint	Essuyez avec un chiffon humide. Utilisez de l'eau chaude savonneuse et une brosse à dents. Si vous voyez de la moisissure, pulvérisez avec du peroxyde d'hydrogène à 3 %.

Dépannage

FONCTIONNEMENT

Le lave-vaisselle ne fonctionne pas.

- Assurez-vous qu'il y a du courant.
- Vérifiez l'alimentation électrique vers le lave-vaisselle et que le disjoncteur de la résidence est en marche.
- Vérifiez que le verrouillage des commandes, la fonction Shabbath et le mode salle de d'exposition ne sont pas activés.

La vaisselle n'est pas propre après le cycle de lavage.

- Vérifiez l'alimentation en eau chaude.
- Assurez-vous que les bras de pulvérisation tournent librement en les tournant manuellement.
- Vérifiez que la vaisselle ne soit pas placée trop près l'une de l'autre, et que les tasses et les bols sont à l'envers et pas emboîtés.
- Communiquez avec le service à la clientèle de Cove au 800-222-7820 pour obtenir des recommandations.

La vaisselle n'est pas sèche après le cycle de lavage.

- Vérifiez que le distributeur contient du produit de rinçage (même si le détergent contient du produit de rinçage).
- Sélectionnez un cycle de lavage autre que Quick (Rapide) ou Light (Léger), dont le temps de séchage est limité.
- Activez Extra Dry et / ou Extended Dry. Voir Options de cycle à la page 6.
- Augmentez le dosage du produit de rinçage. Reportez-vous à la section User Setup à la page 9.

Excès d'humidité dans la baignoire à la fin du cycle de lavage.

- Vérifiez que le distributeur contient du produit de rinçage (même si le détergent contient du produit de rinçage).

« Check manual, Code #800140 » (Consulter le manuel, code #800140) apparaît sur l'écran.

- Vérifiez que le drain est libre et exempt de débris.
- Vérifiez que la conduite d'évacuation n'est pas entortillée.

« Check manual, Code #560186 » (Consulter le manuel, code #050140) apparaît sur l'écran.

- Vérifiez que l'alimentation en eau est à la position de marche.
- Vérifiez que la conduite d'alimentation en eau n'est pas entortillée.

« Call Service, Code #600148, #600149 ou #600151 » (Appeler pour du service, code #600148, #600149 ou #600151) apparaît sur l'écran.

- Communiquez avec le centre de service Cove certifié par l'usine.

SERVICE

- Préservez la qualité intégrée dans votre produit en communiquant avec un service Cove certifié par l'usine. Pour obtenir le nom du centre de service Cove certifié par l'usine le plus proche, consultez la section contact et assistance de notre site Web, coveappliance.com, ou appelez le service à la clientèle de Cove au 800-222-7820.
- Avant d'appeler pour obtenir du service, ayez en main les numéros de modèle et de série de votre produit. Les deux numéros sont indiqués sur la plaque signalétique du produit. Reportez-vous à la page 4 pour connaître l'emplacement de la plaque signalétique.
- Pour les besoins de la garantie, vous devrez aussi avoir la date d'installation et le nom de votre dépositaire Cove autorisé. Ces renseignements doivent être notés à la page 2 de ce guide.

Garantie limitée résidentielle Cove Appliance

POUR UTILISATION RÉSIDENTIELLE

GARANTIE COMPLÈTE DE CINQ ANS*

Pendant cinq ans à compter de la date d'installation originale, cette garantie de produit Cove Appliance couvre toutes les pièces et la main d'œuvre pour réparer ou remplacer, selon un usage résidentiel normal, toute partie du produit qui s'avèrerait défectueuse en vertu des matériaux ou de la fabrication. Tout service fourni par Cove Appliance en vertu de la garantie ci-dessus doit être effectué par un centre de service Cove certifié par l'usine, à moins d'indication contraire de la part de Cove Appliance, Inc. Le service sera fourni pendant les heures normales d'affaires.

GARANTIE À VIE LIMITÉE

Pendant la durée utile du produit, Cove Appliance réparera ou remplacera les pièces suivantes qui s'avèreront défectueuses en vertu des matériaux ou de la fabrication : la cuve et la doublure de porte en acier inoxydable (sauf la corrosion en surface, les égratignures, la décoloration, les taches causées par les intempéries et liées à l'atmosphère et la rouille et l'oxydation mineures en surface). Si le propriétaire utilise le service Cove certifié par l'usine, le fournisseur de service réparera ou remplacera ces pièces et le propriétaire paiera pour tous les autres frais, y compris la main d'œuvre. Si le propriétaire utilise un service non certifié, il doit communiquer avec Cove Appliance, Inc. (avec les renseignements ci-dessous) pour obtenir des pièces réparées ou de rechange. Cove Appliance ne remboursera pas le propriétaire pour les pièces achetées d'un service non certifié ou d'autres sources.

CONDITIONS S'APPLIQUANT À CHAQUE GARANTIE

La garantie s'applique uniquement aux produits installés pour un usage résidentiel normal. La garantie s'applique seulement aux produits installés dans l'un des cinquante états des États-Unis, dans le District of Columbia ou les dix provinces du Canada. Cette garantie ne couvre pas les pièces ou la main d'œuvre pour corriger tout défaut causé par de la négligence, un accident ou une utilisation, un entretien, une installation, un service ou une réparation inappropriés.

LES REMÈDES DÉCRITS CI-DESSUS POUR CHAQUE GARANTIE SONT LES SEULS QUI SONT OFFERTS PAR COVE APPLIANCE, INC. EN VERTU DE CETTE GARANTIE OU EN VERTU DE TOUTE GARANTIE DÉCOULANT DE L'OPÉRATION DE LA LOI. COVE APPLIANCE, INC. NE SERA PAS RESPONSABLE DES DOMMAGES INDIRECTS OU CONSÉCUTIFS DÉCOULANT DE LA VIOLATION À CETTE GARANTIE OU À TOUTE GARANTIE, EXPRESSE, IMPLICITE OU LÉGALE.

Certaines provinces ne permettent pas l'exclusion ou la restriction des dommages indirects ou consécutifs, par conséquent, la limite ou l'exclusion ci-dessus peut ne pas s'appliquer à votre cas. Cette garantie vous confère des droits légaux précis et vous pouvez aussi avoir d'autres droits légaux qui peuvent varier d'une province à l'autre.

Pour obtenir des pièces et/ou du service et le nom du Cove de service Wolf certifié par l'usine le plus près de chez vous, communiquez avec Cove Appliance, Inc., P.O. Box 44848, Madison, WI 53744 É.-U.; consultez la section contact et assistance de notre site Web, coveappliance.com, envoyez-nous un courriel à customerservice@subzero.com ou composez le 800-222-7820.

*L'acier inoxydable (les portes, les panneaux, les poignées, les cadres et les surfaces intérieures) est couvert par une garantie limitée de 60 jours sur les pièces et la main d'œuvre pour toute défectuosité cosmétique.





COVE APPLIANCE, INC. P.O. BOX 44848 MADISON, WI 53744 COVEAPPLIANCE.COM 800.222.7820

9013807 REV-D

10/2018

