



## Owner's Manual & Installation Instructions

# Vented Range Hoods

Models: CVW9301 and CVW9361

### Contents

<b>Safety Information</b> .....	3	<b>Installation Instructions</b> .....	8
<b>Using the Hood</b>		<b>Troubleshooting Tips</b> .....	20
Controls .....	5	<b>Limited Warranty</b> .....	22
<b>Care And Cleaning</b>		<b>Accessories</b> .....	23
Filter .....	6	<b>Consumer Support</b> .....	24
Surfaces .....	6		
Lights .....	7		

Write the model and serial numbers here:

Model # \_\_\_\_\_

Serial # \_\_\_\_\_

You can find them on a label on the inside of the hood.

### Español

Para consultar una version en español de este manual de instrucciones,  
visite nuestro sitio de internet [cafeappliances.com](http://cafeappliances.com).

## THANK YOU FOR MAKING CAFÉ A PART OF YOUR HOME.

---

We take pride in the craftsmanship, innovation and design that goes into every CAFÉ product, and we think you will too. Among other things, registration of your appliance ensures that we can deliver important product information and warranty details when you need them.

Register your CAFÉ appliance now online. Helpful websites are available in the Consumer Support section of this Owner's Manual. You may also mail in the pre-printed registration card included in the packing material.

**C A F É**

---

# IMPORTANT SAFETY INFORMATION

## READ ALL INSTRUCTIONS BEFORE USING

**⚠ WARNING** TO REDUCE THE RISK OF FIRE, ELECTRIC SHOCK OR INJURY TO PERSONS, OBSERVE THE FOLLOWING:

- A. Use this unit only in the manner intended by the manufacturer. If you have questions, contact the manufacturer.
- B. Before servicing or cleaning unit, switch power off at service panel and lock the service disconnecting means to prevent power from being switched on accidentally. When the service disconnecting means cannot be locked, securely fasten a prominent warning device, such as a tag, to the service panel.
- C. Do not use this unit with any solid-state speed control device.
- D. This unit must be grounded.

**⚠ CAUTION** FOR GENERAL VENTILATING USE ONLY. DO NOT USE TO EXHAUST HAZARDOUS OR EXPLOSIVE MATERIALS AND VAPORS.

**⚠ CAUTION** To reduce risk of fire and to properly exhaust air, be sure to duct air outside. Do not vent exhaust air into spaces within walls or ceilings or into attics, crawl spaces, or garages.

**⚠ WARNING** TO REDUCE THE RISK OF INJURY TO PERSONS IN THE EVENT OF A RANGE TOP GREASE FIRE, OBSERVE THE FOLLOWING\*:

- A. SMOTHER FLAMES with a close-fitting lid, cookie sheet or metal tray, then turn off the burner. BE CAREFUL TO PREVENT BURNS. If the flames do not go out immediately, EVACUATE AND CALL THE FIRE DEPARTMENT.
- B. NEVER PICK UP A FLAMING PAN—You may be burned.
- C. DO NOT USE WATER, including wet dishcloths or towels—a violent steam explosion will result.
- D. Use an extinguisher ONLY if:
  - 1. You know you have a Class ABC extinguisher, and you already know how to operate it.
  - 2. The fire is small and contained in the area where it started.
  - 3. The fire department is being called.
  - 4. You can fight the fire with your back to an exit.

\*Based on “Kitchen Fire Safety Tips” published by NFPA.

**⚠ WARNING** TO REDUCE THE RISK OF A RANGE TOP GREASE FIRE:

- A. Never leave surface units unattended at high settings. Boil overs cause smoking and greasy spillovers that may ignite. Heat oils slowly on low or medium settings.
- B. Always turn hood ON when cooking on high heat or when flambéing food (i.e. Crepes Suzette, Cherries Jubilee, Peppercorn Beef Flambé).
- C. Clean ventilating fans frequently. Grease should not be allowed to accumulate on fan or filter.
- D. Use proper pan size. Always use cookware appropriate for the size of the surface element.

## READ AND SAVE THESE INSTRUCTIONS

# IMPORTANT SAFETY INFORMATION

## READ ALL INSTRUCTIONS BEFORE USING

**⚠ WARNING** TO REDUCE THE RISK OF FIRE, ELECTRIC SHOCK OR INJURY TO PERSONS, OBSERVE THE FOLLOWING:

- A. Installation work and electrical wiring must be done by qualified person(s) in accordance with all applicable codes and standards, including fire-rated construction.
- B. Sufficient air is needed for proper combustion and exhausting of gases through the flue (chimney) of fuel burning equipment to prevent back drafting. Follow the heating equipment manufacturer's guidelines and safety standards such as those published by the National Fire Protection Association (NFPA), the American Society for Heating, Refrigeration and Air Conditioning Engineers (ASHRAE) and the local code authorities. When applicable, install any makeup (replacement) air system in accordance with local building code requirements. Visit [cafeappliances.com](http://cafeappliances.com) for available makeup air solutions.
- C. When cutting or drilling into wall or ceiling, do not damage electrical wiring and other hidden utilities.
- D. Ducted fans must always be vented to the outdoors.
- E. Turn off breaker to adjacent rooms while working.

**⚠ WARNING** TO REDUCE THE RISK OF FIRE, USE ONLY METAL DUCTWORK.

Do not attempt to repair or replace any part of your hood unless it is specifically recommended in this manual. All other servicing should be referred to a qualified technician.

### How to Remove Protective Shipping Film and Packaging Tape

Carefully grasp a corner of the protective shipping film with your fingers and slowly peel it from the appliance surface. Do not use any sharp items to remove the film. Remove all of the film before using the appliance for the first time.

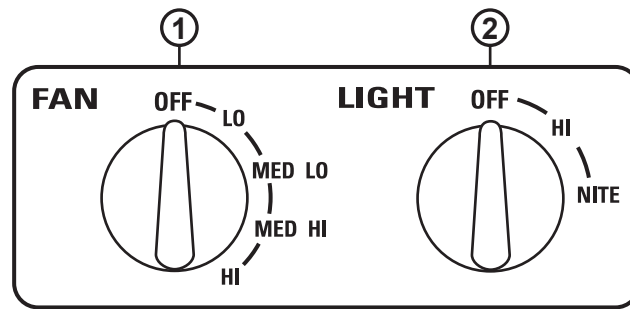
To assure no damage is done to the finish of the product, the safest way to remove the adhesive from packaging tape on new appliances is an application of a household liquid dishwashing detergent. Apply with a soft cloth and allow to soak.

**NOTE:** The adhesive must be removed from all parts.

## READ AND SAVE THESE INSTRUCTIONS

# Controls

Throughout this manual, features and appearance may vary from your model.



- 1. FAN Control:** Turn the **FAN** speed control to **LO**, **MED LO**, **MED HI** or **HI**, as needed. Continuous use of the fan system while cooking helps keep the kitchen comfortable and less humid. It also reduces cooking odors and soiling moisture that create a frequent need for cleaning. **NOTE:** When the fan is operating on the LO setting, it will be very quiet. Always make sure that the fan is turned OFF when you are finished in the kitchen.
- 2. LIGHT Control:** Turn the **LIGHT** control to **HI** for bright light while cooking. Turn to **NITE** for use as a night light.

## Filter

Be sure the circuit breaker is off and all surfaces are cool before cleaning or servicing any part of the vent hood.

### Reusable Metal Grease Filters

The hood has 2 metal reusable grease filters.

The metal filters trap grease released by foods on the cooktop. They also help prevent flaming foods on the cooktop from damaging the inside of the hood.

For this reason, the filters must **ALWAYS** be in place when the hood is used. The grease filters should be cleaned once a month, or as needed.

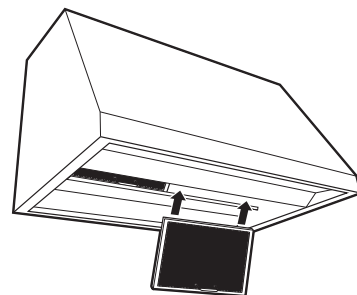
**To clean the grease filters**, soak them and then swish them around in hot water and detergent. Don't use ammonia or ammonia products because they will darken the metal. Do not use abrasives or oven cleaners. Light brushing can be used to remove embedded dirt. Rinse, shake and let them dry before replacing.

#### To remove:

Grasp the filter handle and pull it up, forward and out.

#### To replace:

1. Hold the filter at the bottom with the handle.
2. Place the top end of the filter against the inside front of the hood.
3. Slide it up until it stops and push the bottom end back until it snaps into place.



## Surfaces

### Stainless Steel Surfaces (on some models)

**Do not use a steel wool pad; it will scratch the surface.**

To clean the stainless steel surface, use warm sudsy water or a stainless steel cleaner or polish. Always wipe the surface in the direction of the brush line. Follow the cleaner instructions for cleaning the stainless steel surface. Cleaners with oxalic acid such as **Bar Keepers Friend Soft Cleanser™** will remove surface rust, tarnish, and small blemishes. To receive a \$2.00 coupon for a trial sample of **Bar Keepers Friend Soft Cleanser™** follow the link below or scan the QR Code.



[www.barkeepersfriend.com/ge](http://www.barkeepersfriend.com/ge)

Use only a liquid cleanser free of grit and rub in the direction of the brush lines with a damp soft sponge.

To inquire about purchasing stainless steel appliance cleaner or polish, or to find the location of a dealer nearest you, visit [cafeappliances.com/parts](http://cafeappliances.com/parts).

### Painted Surfaces (on some models)

**Do not use a steel wool pads or other abrasive cleaners; they will scratch the surface.**

Clean grease-laden surfaces of the hood frequently. To clean the hood surface, use a hot, damp cloth with a mild detergent suitable for painted surfaces. About one tablespoon of ammonia may be added to the water. Use a clean, hot, damp cloth to remove soap. Dry with a dry, clean cloth.

**NOTE:** When cleaning, take care not to come in contact with filters and other surfaces.

**CAUTION** When cleaning the hood surfaces, be certain that you do not touch the light with moist hands or cloth. A warm or hot light may break if touched with a moist surface. Always let the light cool completely before cleaning around it.

# Lights

Be sure electrical power is off and all surfaces are cool before cleaning or servicing any part of the vent hood.

**NOTE:** The glass cover should be removed only when cold. Wearing latex gloves may offer a better grip.

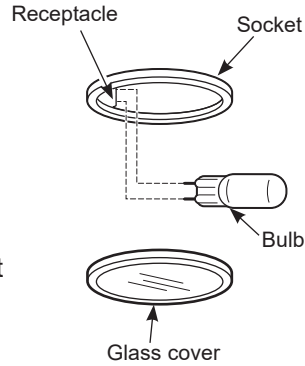
**CAUTION** Before replacing your light bulb, disconnect the electrical power to the hood at the main fuse or circuit breaker panel.

Be sure to let the light cover and bulb cool completely.

For your safety, do not touch a hot bulb with bare hands or a damp cloth.

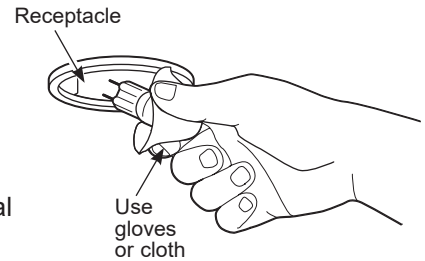
## To remove:

1. Turn the glass cover counterclockwise until the glass cover clears the socket.
2. Using gloves or a dry cloth, remove the bulb by pulling it straight out.



## To replace:

1. Use a new 12-volt, 20-watt (maximum) Halogen bulb for a G-4 base.
2. Using gloves or a dry cloth, remove the new bulb from its packaging. **NOTE:** Do not touch the new halogen bulb with bare fingers. Touching the bulb with bare fingers will significantly reduce the life of the bulb.
3. Push the bulb straight into the receptacle all the way.
4. Place the glass cover onto the socket and turn clockwise until secure. For improved lighting, clean the glass cover frequently using a damp cloth. This should be done when the hood is completely cool.
5. Reconnect electrical power to the hood.



# Installation Instructions

# Range Hoods

If you have questions, visit our website at: [cafeappliances.com](http://cafeappliances.com)

## BEFORE YOU BEGIN

Read these instructions completely and carefully.

- **IMPORTANT** — Save these instructions for local inspector's use.
- **IMPORTANT** — Observe all governing codes and ordinances.
- **Note to Installer** – Be sure to leave these instructions with the Consumer.
- **Note to Consumer** – Keep these instructions for future reference.
- **Skill level** – Installation of this vent hood requires basic mechanical and electrical skills.
- **Completion time** – Approximately 1 to 3 hours
- Proper installation is the responsibility of the installer.
- Product failure due to improper installation is not covered under the Warranty.

**⚠ CAUTION** Due to the weight and size of these vent hoods and to reduce the risk of personal injury or damage to the product, **TWO PEOPLE ARE REQUIRED FOR PROPER INSTALLATION.**

## FOR YOUR SAFETY

**⚠ WARNING** Before beginning the installation, switch power off at service panel and lock the service disconnecting means to prevent power from being switched on accidentally. When the service disconnecting means cannot be locked, securely fasten a prominent warning device, such as a tag, to the service panel.

**⚠ WARNING** TO REDUCE THE RISK OF FIRE, ELECTRIC SHOCK OR INJURY TO PERSONS, OBSERVE THE FOLLOWING:

- A. Installation work and electrical wiring must be done by qualified person(s) in accordance with all applicable codes and standards, including fire-rated construction.
- B. Sufficient air is needed for proper combustion and exhausting of gases through the flue (chimney) of fuel burning equipment to prevent back drafting. Follow the heating equipment manufacturer's guidelines and safety standards such as those published by the National Fire Protection Association (NFPA), the American Society for Heating, Refrigeration and Air Conditioning Engineers (ASHRAE) and the local code authorities.
- C. When cutting or drilling into wall or ceiling, do not damage electrical wiring and other hidden utilities.
- D. Ducted fans must always be vented to the outdoors.
- E. Turn off breaker to adjacent rooms while working.

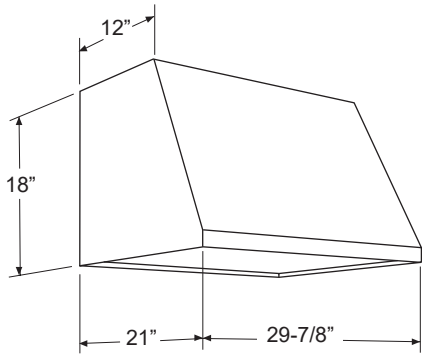
**⚠ WARNING** TO REDUCE THE RISK OF FIRE, USE ONLY METAL DUCT WORK.

**⚠ WARNING** Disconnect all electrical power at the main circuit breaker or fuse box before installing.

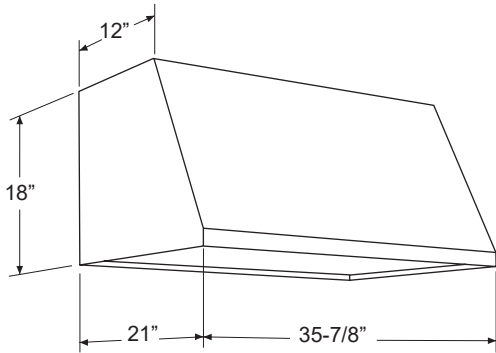


# Installation Preparation

## PRODUCT DIMENSIONS



30" Models  
Requires a 30" opening.



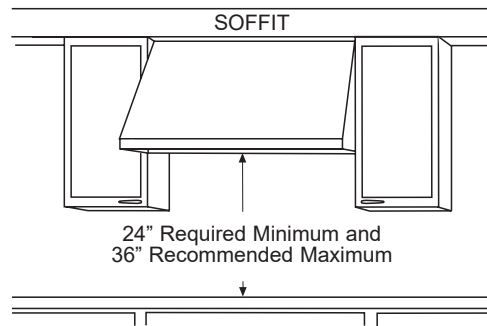
36" Models  
Requires a 36" opening.

## INSTALLATION CLEARANCES

These vent hoods are designed to be installed onto a wall. They may be installed beneath a soffit or cabinet.

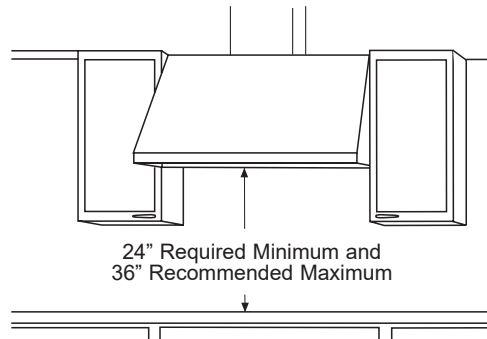
- The hoods are designed to fit 12" deep cabinets. When installed onto 15" deep cabinets, a filler panel accessory is available: Order **JXS50SS** for 30" wide hoods or **JXS56SS** for 36" wide hoods.
- Install these hoods 24" required minimum and 36" recommended maximum above the cooking space.

### SOFFIT INSTALLATION



In this installation, the ductwork running from the top of the hood will be concealed in the soffit or upper cabinetry.

### WALL MOUNT INSTALLATION



For this installation, a decorative duct cover is available to conceal the ductwork running from the top of the hood. Use of the duct cover requires special consideration to the installation height above the countertop. See page 12 for details.

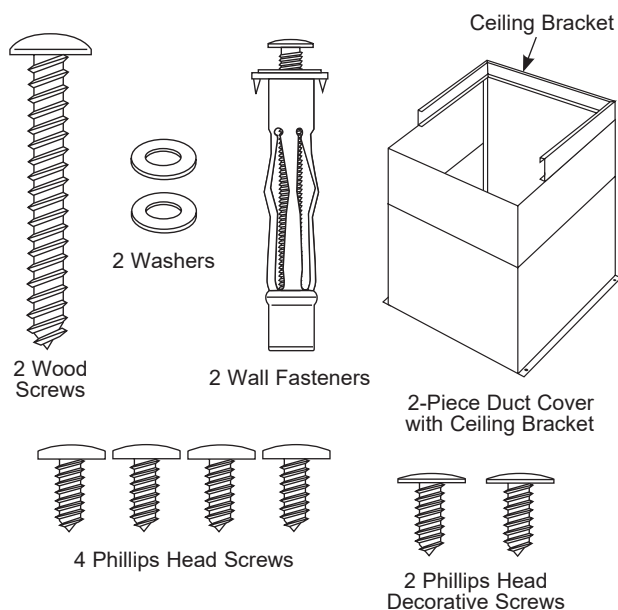
# Installation Preparation

## OPTIONAL ACCESSORIES

### Duct Cover

A decorative duct cover is available to accommodate 8 to 10 ft. ceiling heights. The duct cover will expand from 12" minimum or 24" to 36" maximum height.

- The duct cover conceals the ductwork running from the top of the hood to the ceiling.
- The duct cover accessory fits both 30" and 36" wide models. Order the duct cover accessory at the same time as the vent hood. All accessories should be on site at the time of hood installation. Order **JXCHSS**.



## ADVANCE PLANNING

### Duct Install Planning

- This hood may be vented vertically through upper cabinets, soffit or ceiling. A duct transition piece is supplied for vertical exhaust. Use locally supplied elbows to vent horizontally through the rear wall.
- Use metal ductwork only.
- Determine the exact location of the vent hood.
- Plan the route for venting exhaust to the outdoors. To maximize the ventilation performance of the vent system:
  1. Minimize the duct run length and number of transitions and elbows.
  2. Maintain a constant duct size.
  3. Seal all joints with duct tape to prevent any leaks.
  4. Do not use any type of flexible ducting.
- Use the shortest and straightest duct route possible.
- Install a wall cap or roof cap with damper at the exterior opening. Order the wall or roof cap and any transition needed in advance.
- When applicable, install any makeup (replacement) air system in accordance with local building code requirements. Visit [cafeappliances.com](http://cafeappliances.com) for available makeup air solutions.

### Wall Framing for Adequate Support

- This vent hood is heavy. Adequate structural support must be provided. The hood must be secured to vertical studs in the wall. See page 15.
- We strongly recommend that the vent hood with duct cover be on site before final framing and wall finishing. This will also help to accurately locate the ductwork and electrical service.

# Installation Preparation

## DECORATIVE DUCT COVERS

A decorative duct cover is available to fit both model widths. The duct cover conceals the ductwork running from the top of the hood to the ceiling or soffit. The duct cover will fit 8 ft. to 10 ft. ceiling heights. See page 13 for details.

## POWER SUPPLY

**IMPORTANT – (Please read carefully)**

### ⚠ WARNING

FOR PERSONAL SAFETY, THIS APPLIANCE MUST BE PROPERLY GROUNDED.

Remove house fuse or open circuit breaker before beginning installation.

Do not use an extension cord or adapter plug with this appliance. Follow National Electrical Codes or prevailing local codes and ordinances.

### Electrical supply

These vent hoods must be supplied with 120V, 60Hz, and connected to an individual, properly grounded branch circuit, and protected by a 15 or 20 amp circuit breaker or time delay fuse.

- Wiring must be 2 wire with ground.
- If the electrical supply does not meet the above requirements, call a licensed electrician before proceeding.
- Route house wiring as close to the installation location as possible in the ceiling or wall.
- Connect the wiring to the house wiring in accordance with local codes.

### Grounding instructions

The grounding conductor must be connected to a ground metal, permanent wiring system, or an equipment-grounding terminal or lead on the hood.

### ⚠ WARNING

The improper connection of the equipment-grounding conductor can result in a risk of electric shock. Check with a qualified electrician or service representative if you are in doubt whether the appliance is properly grounded.

**This Hood Must Use 7" Round Duct.  
It Can Transition To 3-1/4" x 12" Duct.**

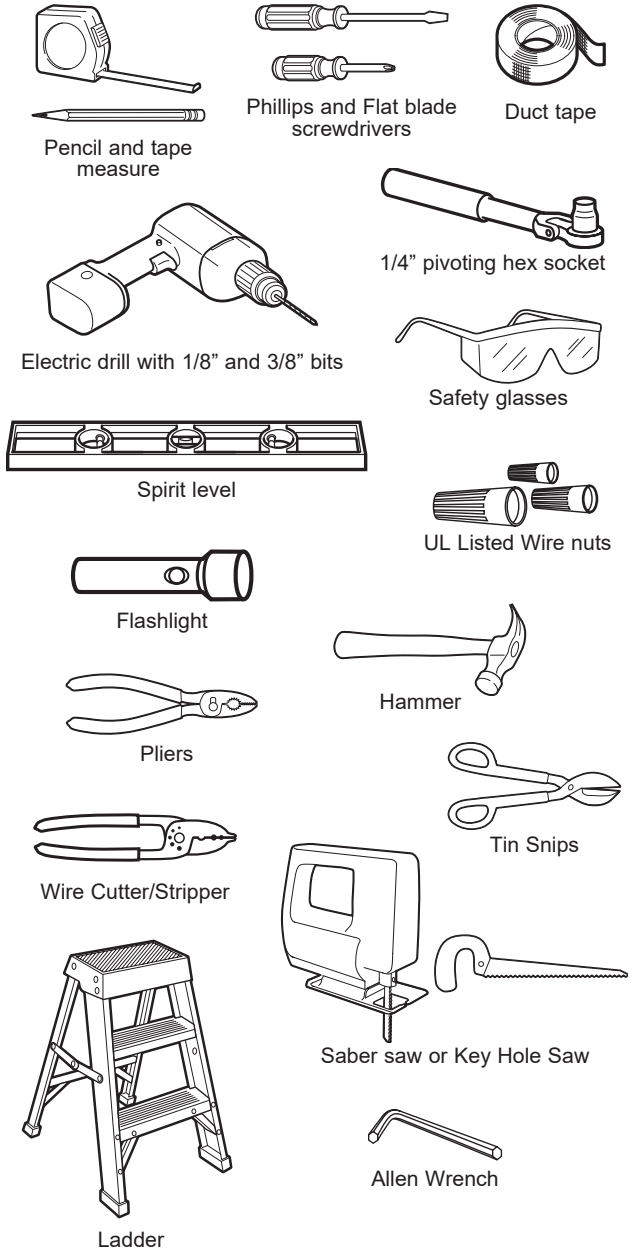
Do NOT use flexible plastic ducting.

**NOTE:** Any home ventilation system, such as a ventilation hood, may interrupt the proper flow of combustion air and exhaust required by fireplaces, gas furnaces, gas water heaters and other naturally vented systems. To minimize the chance of interruption of such naturally vented systems, follow the heating equipment manufacturer's guidelines and safety standards such as those published by NFPA and ASHRAE. When applicable, install any makeup (replacement) air system in accordance with local building code requirements. Visit [cafeappliances.com](http://cafeappliances.com) for available makeup air solutions.

**Using a smaller diameter duct size  
will reduce performance.**

# Installation Preparation

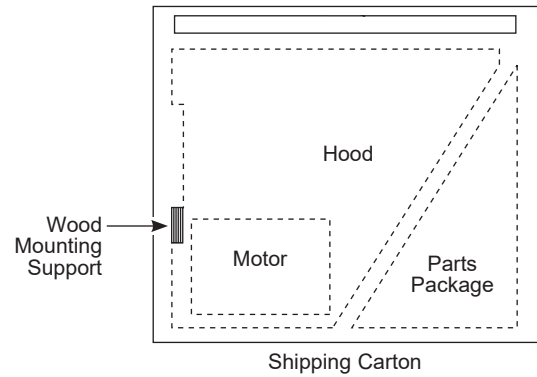
## TOOLS AND MATERIALS REQUIRED (NOT SUPPLIED)



### Additional Materials:

- 120V 60Hz, 15 or 20 Amp, 2 wire with ground. Properly grounded branch circuit.
- Strain relief for junction box.
- 7" round metal duct or 3-1/4" x 12" rectangular duct length to suit installation.

## REMOVE THE PACKAGING

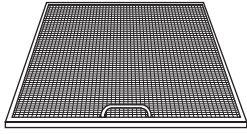


- Remove the small box housing the motor.
- Lift the hood out of the box.
- Remove shipping screws holding the wood mounting piece to the back side of the hood. Set aside wood mounting piece and screws for later installation. Do not discard.
- Remove the "V" shaped carton insert.
- Remove parts package from the "V" shaped cardboard insert.
- Remove junction box cover and knockout.
- Install strain relief onto back or top of hood.
- Remove all tape and packing material from the hood, duct transition and motor.

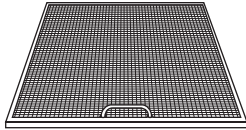
# Installation Preparation

## PARTS PROVIDED

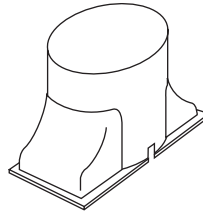
Locate the hardware accessory box packed with the hood and check contents.



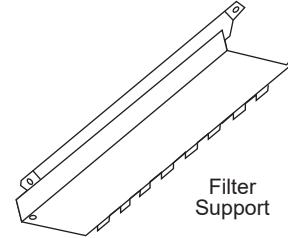
2 Aluminum Grease Filters



Screws, wall fasteners, washers



Duct Transition with Damper



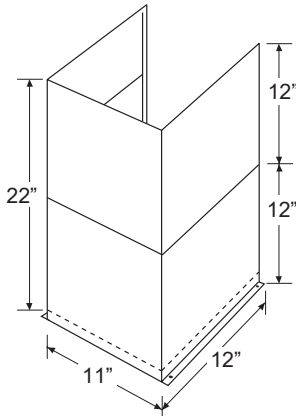
Filter Support

## DUCT COVER REQUIREMENTS

We recommend that the vent hood and decorative duct cover (if used) be on site before final framing and wall finishing. This will help to accurately locate duct studs, ductwork, and electrical service. Read these instructions to determine if the duct cover accessory can be used for your installation situation.

### Duct Cover Accessory:

- Use the decorative duct cover to conceal ductwork running from the top of the hood to the ceiling.
- The duct cover accessory consists of 2 pieces. The outside piece is 12" high, the inside piece is 22". Nested together they are 24" minimum expanding to a total maximum height of 34".
- The outside piece can be used alone to fill a 12" height.
- For heights over 12", the ceiling bracket must be installed to secure the cover at the top.



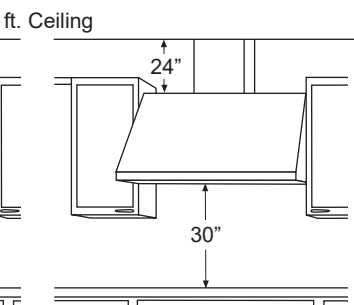
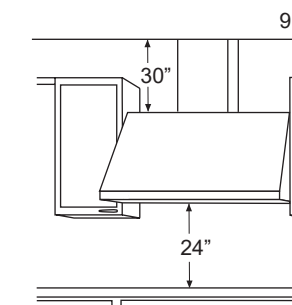
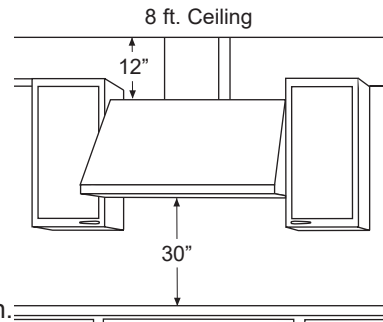
### To avoid unsightly gaps, plan the hood installation height for duct cover use.

- The cover will fit a 12" minimum height from the top of the hood to the ceiling or 24" minimum and expanding up to 34" from the top of the hood to the ceiling.

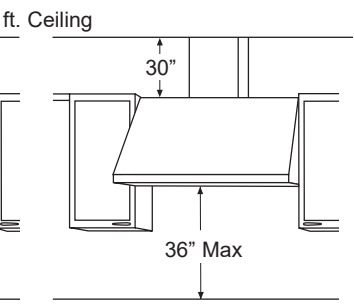
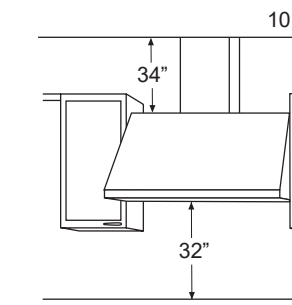
**THE DUCT COVER CANNOT BE USED WHEN THE DISTANCE ABOVE THE TOP OF THE HOOD IS BETWEEN 12" AND 24".**

Review the following examples to ensure a trouble free installation using the duct cover accessory.

**8ft. Ceilings:** The hood must be installed at 30" above the cooking surface (or 66" above the floor). the duct cover will not fit if the hood is installed at a lower or higher height. Use the outside 12" section, discard the inside section.



**9 ft Ceiling:** Install the hood 24" min. and up to a maximum of 30" above the cooking surface. The duct cover will expand to reach ceiling height.



**10 ft. Ceiling:** Install the hood 32" min to 36" max. above the cooking surface. The duct cover will expand to a maximum of 34" above the top of the hood to meet the ceiling.

# Installation Preparation

## DETERMINE HOOD, DUCTWORK AND WIRING LOCATIONS

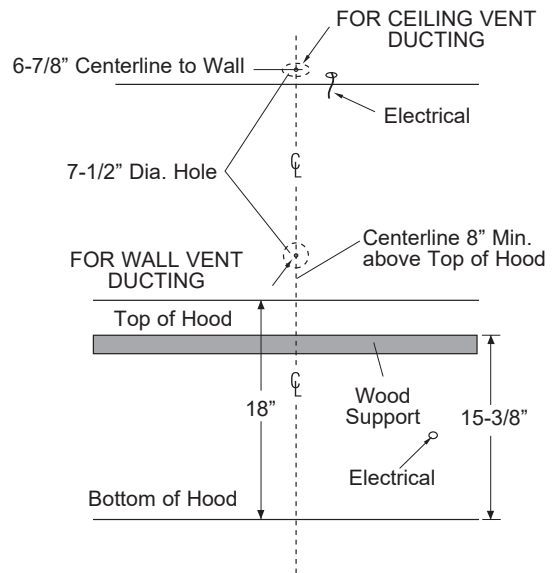
- Keep the wood support piece and its screws for later installation. Do not discard.
- Measure desired distance from the bottom of the hood to the cooking surface, 24" required minimum and 36" recommended maximum. Refer to the previous page if the accessory duct cover will be used.
- Use a level to draw a horizontal line indicating the bottom of the hood.
- Use a level to draw the cooktop centerline location.
- Measure 15-3/8" up from the horizontal line for the bottom of the hood. Draw another horizontal line.
- Measure 18" up from the line for the bottom of the hood, draw another horizontal line to indicate the top of the hood.

### For Vertical (Straight Up) Ducting:

- If venting out the ceiling, extend the centerline forward on the ceiling.
  - Measure 6-7/8" from drywall to mark centerline for a 7-1/2" diameter duct hole on the ceiling.
  - If drywall is not present, add drywall thickness to the 6-7/8" dimension.

### Venting Through a Soffit or Upper Cabinet:

- Follow the same procedure for ceiling ducting to cut the 7-1/2" dia. hole through the top of the cabinet or soffit.
- See Step 4, page 16 for details to cut opening for duct transition.



### For Ducting Through Rear Wall:

- Measure the supplied duct transition with any straight run length of duct used, plus 90" elbow height. Draw a horizontal line on the wall intersecting the centerline.

### House Wiring Location:

- The junction box is fastened to the back of the hood on the right side. See illustrations for hood knockout locations.

**NOTE:** The junction box can be relocated to the inside top of the hood.

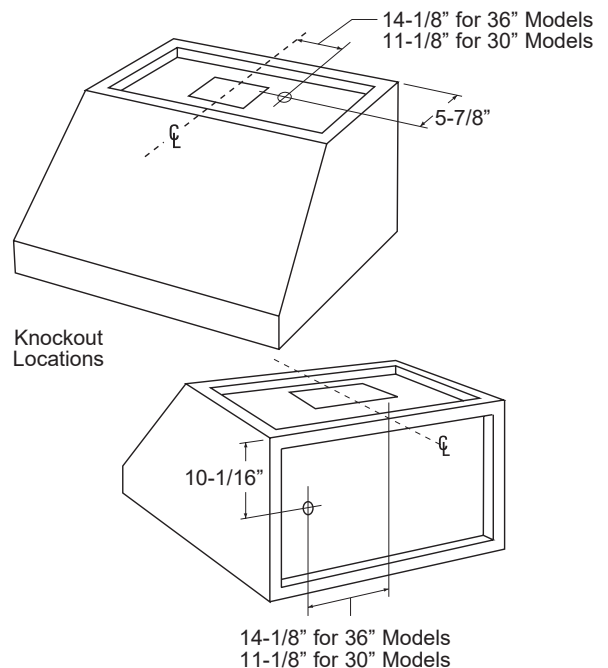
House wiring may enter the junction box from the rear or the top of the hood at the right side.

### To route house wiring through the ceiling or soffit:

- Cut a hole approximately 1" dia., 5-7/8" forward on the ceiling; 11-1/8" to the right of the centerline for 30" models or 14-1/8" to the right of the centerline for 36" models.

### To route house wiring through the wall:

- Cut a hole approximately 1" dia. 10-1/16" down from the top of the hood, 11-1/8" to the right of the centerline for 30" models or 14-1/8" to the right of the centerline for 36" models.
- Remove top or rear knockout depending on your installation.
- Install strain relief onto back or top of hood.

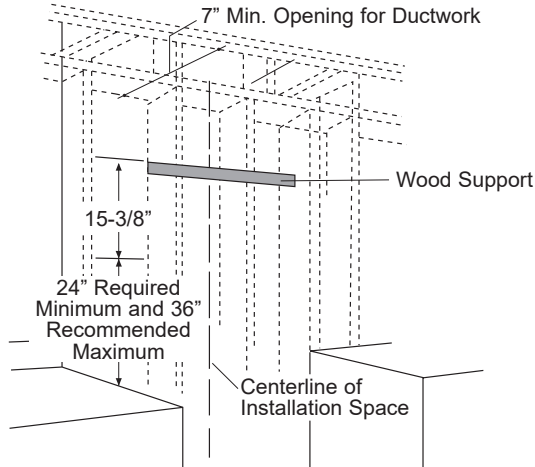


# Installation Instructions

## 1 INSTALL HOOD SUPPORT

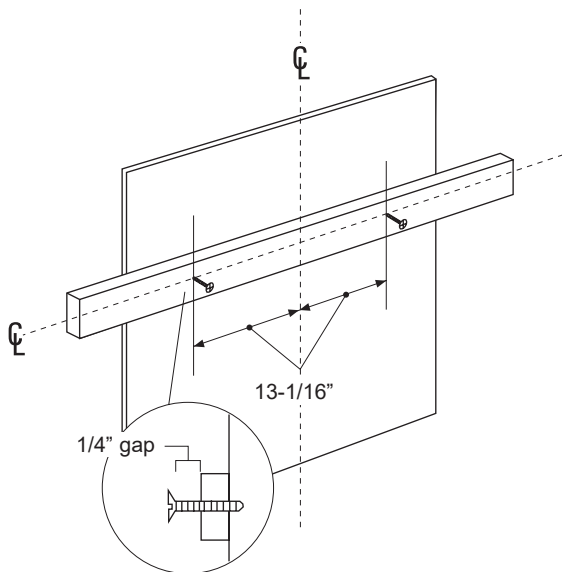
**IMPORTANT:** Framing must be capable of supporting 100 lbs.

- Locate at least 2 vertical studs at the wood mounting location by tapping drywall with a hammer or use a stud finder.
- Center the supplied wood horizontal support, left to right, and below the marked line.



- Drill 1/8" pilot holes through the support, drywall and into the studs. Secure the support to 2 or more vertical studs with supplied wood screws.

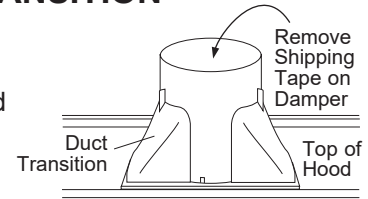
**IMPORTANT:** Screws must penetrate at least 1-1/2" into vertical studs. Countersink screws into support.



- Install mounting screws in the center of the wood support, 13-1/6" from the centerline. The screws should protrude forward 1/4". This 1/4" gap will provide clearance to hang the hood.

## 2 INSTALL TRANSITION

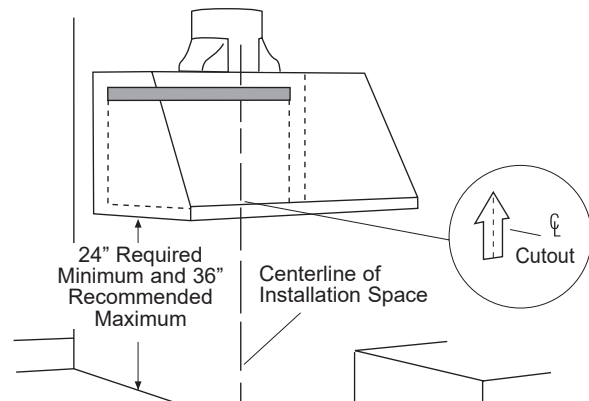
**IMPORTANT:** Remove shipping tape from damper and check that damper moves freely.



- Place the transition piece over the hood exhaust. Secure transition to hood with 4 screws provided.
- Use duct tape to seal the connection.

## 3 INSTALL HOOD ONTO WALL

- Lift the hood and place over the wood support. The top keyhole slots in the hood should engage the protruding mounting screws. Allow the hood to slide down into position.
- Pull house wiring through knockout at the rear or top of the hood.
- Check to be sure the hood is level and centered. The arrow shaped cutout in the back of the hood allows viewing the marked centerline.
- Remove cover from junction box.



### Drill Bottom Mounting Hole Locations

- Drill 1/8" pilot holes into the two lower mounting holes. Enlarge the holes if they do not enter studs to 3/8". Tap anchors for wall fasteners into bottom holes. Install screws by hand into the fasteners to allow anchors to expand against the wall. Remove screws.
- Using two large flat washers (supplied), install wood screws or wall fastener screws, loosely, into lower mounting holes. Do not tighten.
- Check hood level. Tighten upper screws. Tighten lower mounting screws.
- For additional security, drive screws through the original wood support screw holes in the back of the hood.

# Installation Instructions

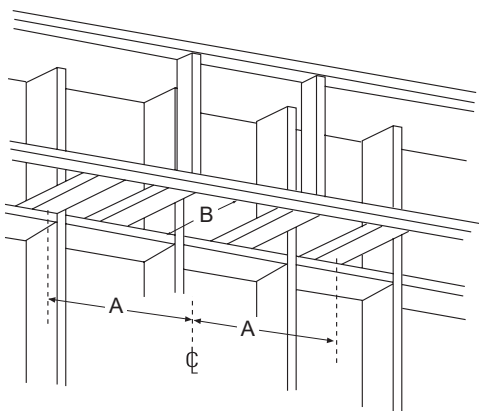
## 4 (Alternate Mounting Method) INSTALL HOOD TO SOFFIT OR BENEATH CABINETS

**SKIP THIS STEP IF USING WALL MOUNTING METHOD**

**IMPORTANT:** Soffit framing must be capable of supporting 100 lbs.

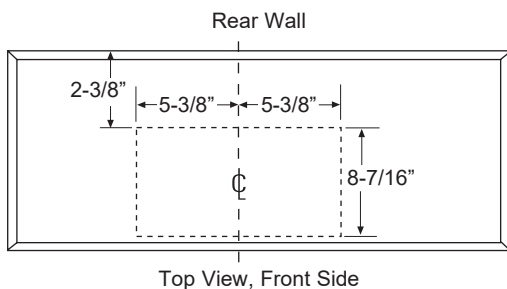
When necessary the hood may be installed so that it is supported by the soffit.

- The soffit should be constructed with 2x4's.
- Determine the installation location.
- Continue the centerline forward on the bottom of the cabinet or soffit.



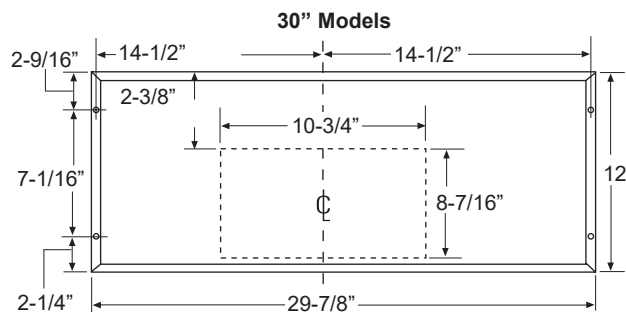
	"A" Centerline to Center of Stud	"B" Opening for Ductwork
<b>30" Models</b>	14-1/2"	10-3/4" W x 8-7/16 D
<b>36" Models</b>	17-1/2"	10-3/4" W x 8-7/16 D

- Mounting screws must be secured to 2 x 4 studs (Dim. "A") at locations shown in the above chart.
- Allow minimum opening (Dim. "B") to accommodate the duct transition in the soffit.

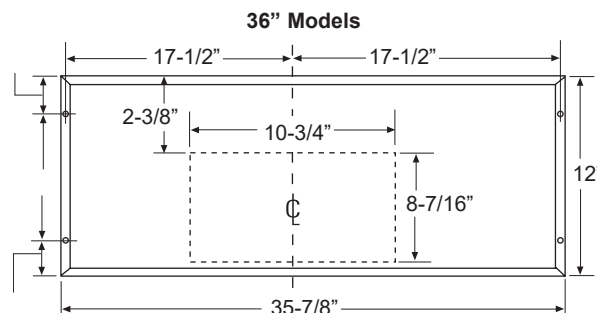


Cut a 10-3/4" x 8-7/16" hole through bottom of soffit or cabinet for duct transition as shown.

**IMPORTANT:** For additional support and to minimize vibration during operation, we strongly recommend that the hood also be secured to the back wall with wall fasteners.

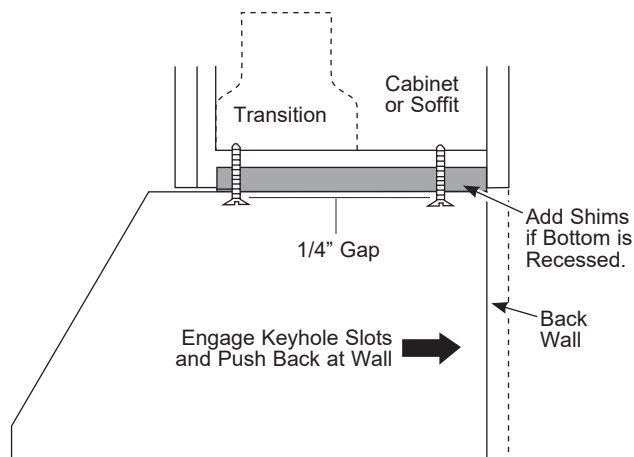


Top View, Front Side



Top View, Front Side

- Drill four 1/8" pilot holes in locations show.
- If mounting to the underside of a cabinet with a recessed bottom, install shims to fill the gap.



- Drive mounting screws into the studs until they protrude 1/4". This 1/4" gap will provide clearance to engage the keyhole slots in the top of the hood.
- Lift hood onto mounting screws. Slide back against the rear wall.
- Pull house wiring through the knockout at the rear or top of the hood.
- Tighten mounting screws.



# Installation Instructions

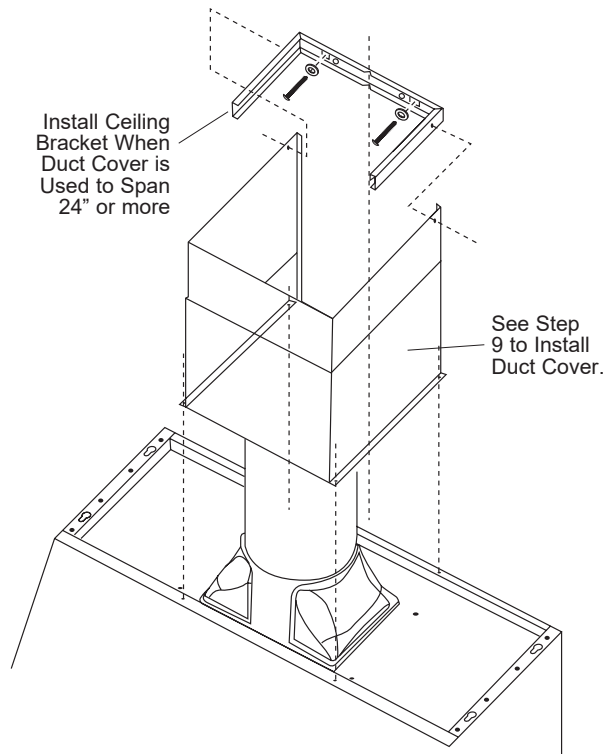
## 5 INSTALL CEILING BRACKET

The ceiling bracket must be installed when the duct cover is used to span 24" or more height above the hood. The bracket will hold the decorative duct cover in place at the top.

**NOTE:** The ceiling bracket is not required when using only the 12" section of the duct cover.

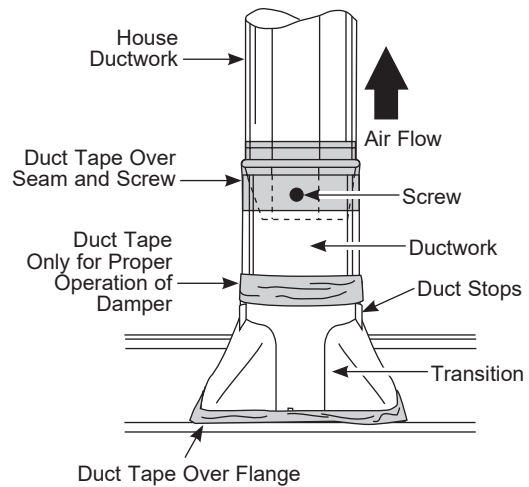
- Install the 2 small screws into the sides of the duct bracket. Remove the screws. Pre-tapping the holes will insure ease of final installation.
- Match center notch on the bracket to the centerline on the wall and flush against the ceiling.
- Mark the 2 screw hole locations.
- Drill 2/8" pilot holes in marked bracket location.
- If pilot holes do not enter studs, enlarge the holes to 3/8" and install wall fastener anchors.
- Secure the bracket to the rear wall with wood screws and washers. Use wall anchors if needed.

**NOTE:** Bracket has 2 sets of holes. Use larger holes for wall fasteners or wood screws with washers. Use smaller holes for wood screws with washers.



## 6 CONNECT DUCTWORK

- Push duct over the end of the transition until it reaches the stop tabs.
- Install ductwork, making connections in direction of airflow as illustrated.
- Secure joints in ductwork with sheet metal screws.
- Wrap all duct joints with duct tape for an airtight seal.
- Use duct tape to seal the flange connection

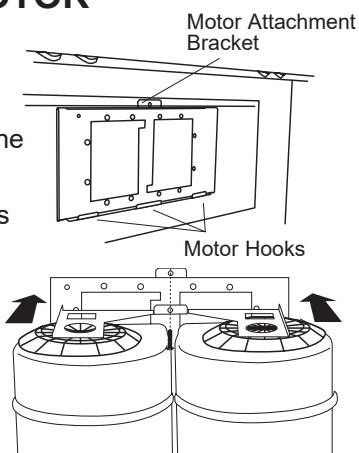


**CAUTION** Do not use sheet metal screws at the transition to ductwork connection. Doing so will prevent proper damper operations. Seal connection with tape only.

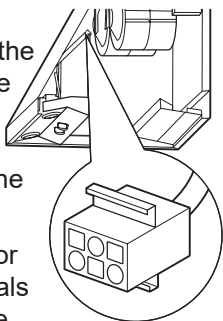
# Installation Instructions

## 7 INSTALL MOTOR

- Align and engage the slots in the blower assembly to the 3 hooks at the rear of the exhaust opening.
- Rotate motor upwards until it aligns with the attachment screw location.
- Secure the motor to attachment bracket at the front of the opening with washer and screw provided.



- Plug the motor connector into the mating hood connector. See the illustration for the hood connector location. Touch the hood to locate and make the connection.



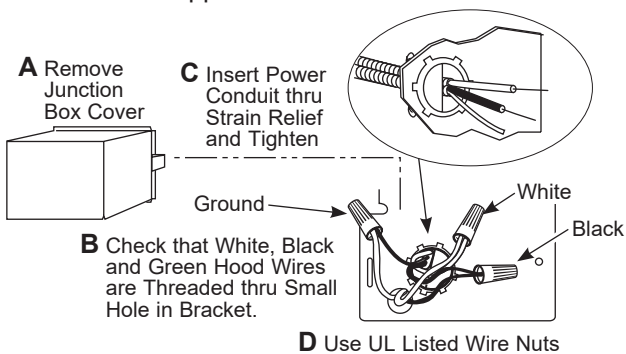
**IMPORTANT:** Hold the connector so the two square corner terminals are at the top as you position the connector to plug it in.

## 8 CONNECT ELECTRICAL

Verify that power is turned off at the source.

### ⚠ WARNING

If house wiring is not 2-wire with a ground wire, a ground must be provided by the installer. When house wiring is aluminum, be sure to use UL approved anti-oxidant compound and aluminum-to-copper connectors.



- Use wire nuts to connect incoming ground to green, white to white, and black to black.
- Push wires into junction box and replace cover. Be sure wires are not pinched.

## 9 INSTALL DUCT COVERS

To install the 12" duct cover alone:

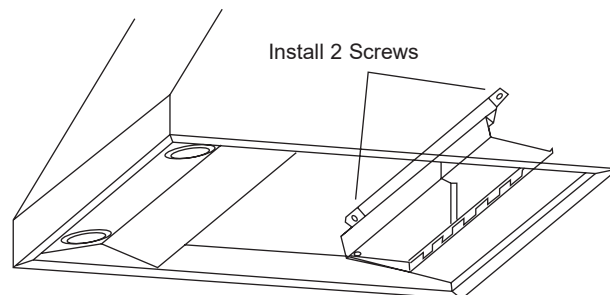
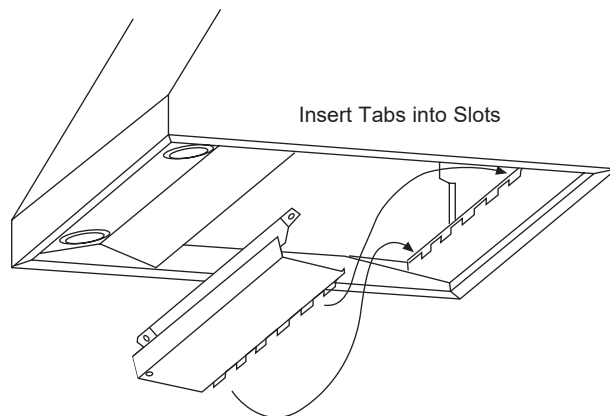
- Place the 12" section of the decorative duct cover on top of the hood.
- Secure the cover on the top of the hood with 4 screws provided.

To install the 2-piece duct cover:

- Place the 2-piece duct cover on the top of the hood.
- Secure the bottom cover to the top of the hood with 4 screws provided. See illustration, page 16.
- Extend the inside section upwards to meet the ceiling and ceiling bracket
- Secure the duct cover to the bracket with the 2 small Phillips screws provided.

## 10 INSTALL FILTER SUPPORT

- Tip filter support into the rear of the hood.
- Insert support tabs into the slots at the rear of the hood.

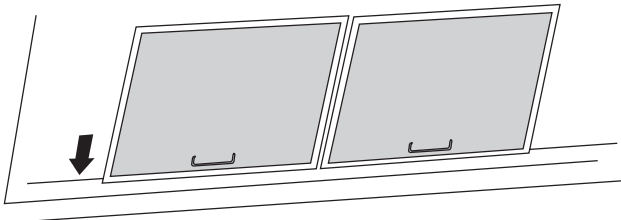
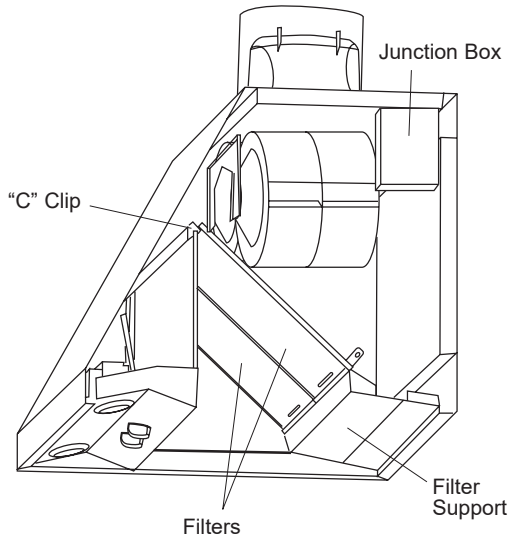


- Secure the support to the hood with screws as shown.

# Installation Instructions

## 11 INSTALL FILTERS

- Remove protective film covering the filters.
- Insert the filter into the “C” clips mounted to the top of the vertical front panel.
- Tap the filter against one side to align with outside opening.
- Pull the filter down into the lower slots at the bottom of the filter support.



- To remove the filters, grasp the handle, push the filter up, and pull forward.

## 12 FINALIZE INSTALLATION

- Refer to the operating instructions to test all controls.

## Troubleshooting tips ... Before you schedule service

Save time and money! Review the charts on the following pages first and you may not need to schedule service.

Problem	Possible Cause	What To Do
Fan does not operate when the switch is on	A fuse may be blown or a circuit breaker tripped.	Replace fuse or reset circuit breaker.
	The blower connector is loose or not plugged into its mating connector.	Disconnect power to the unit. Remove the filters and look up at the blower. If the blower connector plug is loose or you see the connector dangling, the installer failed to plug it in securely. Although it is a blind connection, it is easy to plug in. See the Installation Instructions in this manual for the plug location and how to plug the connector in.
Fan fails to circulate air or moves air slower than normal	Excessively soiled filters.	Remove the filters, clean if necessary and replace them. If cleaning and replacing the filters does not correct the problem, schedule service.
		Sufficient makeup (replacement) air is required for exhausting appliances to operate to rating. Check with local building codes, which may require or strongly advise the use of makeup air. Visit <a href="http://cafeappliances.com">cafeappliances.com</a> for available makeup air solutions.

# Notes

---

# CAFÉ Vented Range Hood Limited Warranty

## cafeappliances.com

All warranty service is provided by our Factory Service Centers, or an authorized service technician. To schedule service online, visit us at [cafeappliances.com/service](http://cafeappliances.com/service). Please have your serial number and your model number available when scheduling service.

Servicing your appliance may require the use of the onboard data port for diagnostics. This gives a CAFÉ factory service technician the ability to quickly diagnose any issues with your appliance and helps CAFÉ improve its products by providing CAFÉ with information on your appliance. If you do not want your appliance data to be sent to CAFÉ, please advise your technician not to submit the data to CAFÉ at the time of service.

For the period of	CAFÉ will replace
<b>One year</b> From the date of the original purchase	<b>Any part</b> of the cooking product which fails due to a defect in materials or workmanship. During this <b>limited one-year warranty</b> , CAFÉ will provide, <b>free of charge</b> , all labor and related service costs to replace the defective part.

### What CAFÉ will not cover:

- Service trips to your home to teach you how to use the product.
- Improper installation, delivery, or maintenance.
- Failure of the product if it is abused, misused, modified, or used for other than the intended purpose or used commercially.
- Replacement of house fuses or resetting of circuit breakers.
- Damage to the product caused by accident, fire, floods, or acts of God.
- Damage to finish, such as surface rust, tarnish, or small blemishes not reported within 48 hours of delivery.
- Incidental or consequential damage caused by possible defects with this appliance.
- Damage caused after delivery.
- Product not accessible to provide required service.
- Service to repair or replace light bulbs, except for LED lamps.

### EXCLUSION OF IMPLIED WARRANTIES

Your sole and exclusive remedy is product repair as provided in this Limited Warranty. Any implied warranties, including the implied warranties of merchantability or fitness for a particular purpose, are limited to one year or the shortest period allowed by law.

This limited warranty is extended to the original purchaser and any succeeding owner for products purchased for home use within the USA. If the product is located in an area where service by a CAFÉ Authorized Servicer is not available, you may be responsible for a trip charge or you may be required to bring the product to an Authorized CAFÉ Service location for service. In Alaska, the limited warranty excludes the cost of shipping or service calls to your home. Some states do not allow the exclusion or limitation of incidental or consequential damages. This limited warranty gives you specific legal rights, and you may also have other rights which vary from state to state. To know what your legal rights are, consult your local or state consumer affairs office or your state's Attorney General.

**Warrantor: GE Appliances, a Haier company**  
 Louisville, KY 40225

**Extended Warranties:** Purchase a CAFÉ extended warranty and learn about special discounts that are available while your warranty is still in effect. You can purchase it online anytime at

[cafeappliances.com/extended-warranty](http://cafeappliances.com/extended-warranty)

CAFÉ Service will still be there after your warranty expires.

Staple your receipt here. Proof of the original purchase date is needed to obtain service under the warranty.

# Accessories

---

## Looking For Something More?

**CAFÉ offers a variety of accessories to improve your cooking and maintenance experiences!**

Refer to the Consumer Support page for website information.

The following products and more are available:

### Parts

---

Duct Cover Kit

---

Replacement Lights

---

15" Cabinet Filler Panel

---

### Cleaning Supplies

---

CitruShine™ Stainless Steel Wipes

---

CERAMA BRYTE® Stainless Steel Appliance Cleaner

---

Bar Keepers Friend Soft Cleanser™

---

# Consumer Support

---

## CAFÉ Website

Have a question or need assistance with your appliance? Try the CAFÉ website 24 hours a day, any day of the year! You can also shop for more great CAFÉ products and take advantage of all our on-line support services designed for your convenience. In the US: [cafeappliances.com](http://cafeappliances.com)

---

## Register Your Appliance

Register your new appliance on-line at your convenience! Timely product registration will allow for enhanced communication and prompt service under the terms of your warranty, should the need arise. You may also mail in the pre-printed registration card included in the packing material. In the US: [cafeappliances.com/register](http://cafeappliances.com/register)

---

## Schedule Service

Expert CAFÉ repair service is only one step away from your door. Get on-line and schedule your service at your convenience any day of the year. In the US: [cafeappliances.com/service](http://cafeappliances.com/service)

---

## Extended Warranties

Purchase a CAFÉ extended warranty and learn about special discounts that are available while your warranty is still in effect. You can purchase it on-line anytime. CAFÉ Service will still be there after your warranty expires. In the US: [cafeappliances.com/extended-warranty](http://cafeappliances.com/extended-warranty)

---

## Remote Connectivity

For assistance with wireless network connectivity (for models with remote enable), visit our website at [cafeappliances.com/connect](http://cafeappliances.com/connect)

---

## Parts and Accessories

Individuals qualified to service their own appliances can have parts or accessories sent directly to their homes (VISA, MasterCard and Discover cards are accepted). Order on-line today 24 hours every day. In the US: [cafeappliances.com/parts](http://cafeappliances.com/parts)

**Instructions contained in this manual cover procedures to be performed by any user. Other servicing generally should be referred to qualified service personnel. Caution must be exercised, since improper servicing may cause unsafe operation.**

---

## Contact Us

If you are not satisfied with the service you receive from CAFÉ, contact us on our website with all the details including your phone number, or write to:

In the US: General Manager, Customer Relations | CAFÉ Appliances, Appliance Park | Louisville, KY 40225  
[cafeappliances.com/contact](http://cafeappliances.com/contact)