

# Café™ 30" Built-In Touch Control Electric Cooktop

CEP90301TBB

# C A F É

DISTINCT BY DESIGN™



## FEATURES & BENEFITS

**Power Boil Tri- and Dual-Ring Element** - Cook more faster with a 3,000W Tri-ring element and a 2,200W dual-ring element that can handle any pan size.

**Easy Clean Surface with Beveled Edges** - A smooth glass surface makes this an easy clean electric cooktop while beveled edges add a level of aesthetic sophistication.

**Glide Touch Controls** - Choose from 19 different heat settings with one easy swipe for precise heat control on this easy-to-clean electric cooktop.

**Guided Cooking** - Follow along a video-guided recipe and your burners will automatically adjust time and temperature using a smart pan. Experience the joy of a perfectly cooked meal, from scallops to scrambles. Pan sold separately.

**Precision Temperature Control** - Set your burner to an exact degree, not just high, medium or low, with Precision Temperature Control. Using a smart pan, the cooktop maintains a specific temperature – from 100 to 500 degrees. Perfect for sauces, candies and frying.

**Synchronized Elements** - Connect and control two cooktop burners as one to create a bigger cooking surface for pans such as griddles.

**Chef Connect** - Synchronize your cooktop and Café over-the-range microwave or hood so that your fan or hood and lights automatically come on when a burner is activated with Chef Connect.

**Keep Warm Setting** - This electric cooktop's 7" element features a range of heat - from a dedicated "Keep Warm" setting to the power to boil water.

**Control Lock** - Protect against unintentionally turning your cooktop on with a safety control lock setting.

**Hot Surface Indicator Lights** - A quick glance is all it takes to know when elements are hot on this electric cooktop with hot surface indicator lights.

**Smart Cookware Rebate** - Smart pans and a wireless sous vide probe easily pair with this smart cooktop to ensure you get the perfect cooking results. Earn a rebate for your choice of a Hestan Cue Smart Pan.

**Built-in WiFi** - This smart cooktop features Built-In WiFi so you can monitor your burners and view power levels, precision temperature, or on/off.

**Fit Guarantee** - This cooktop will fit your existing 30" cut-out or Café will help pay for modifications up to \$100.

## APPEARANCE

Color Appearance	Black Ceramic Glass
Frameless	Yes

## FEATURES

Cooktop Surface	Black Ceramic Glass with Beveled Edge
Cooktop Burner Type	5 Ribbon, Smoothtop
Element - Left Front	7" 1500W
Element - Left Rear	7" 1500W
Element - Right Front	8"/5" 2200W Dual
Element - Right Rear	6" 1200W
Element - Center	9"/7"/5" 3000W Power Boil
Control Location	Front Center
Control Type	Glass Touch
Cooktop Control Features	Control Lock Capability, Keep-Warm Setting, Sync-Burners Capability, Melt Setting
Melt Setting	Yes
Indicator Lights	5 Hot Surface, Surface Element "ON" Red

## WEIGHTS & DIMENSIONS

Approximate Shipping Weight	46 lb
Cabinet Width	30 in
Cooktop Size	30 in
Cutout Dimensions (Width x Depth) (In.)	28-1/2 x 19-5/8
Net Weight	40 lb
Overall Depth	21-1/2 in
Overall Height	5-13/16 in
Overall Width	29-7/8 in

## POWER/RATINGS

Max. Connected Load (kW) at 208V	71
Max. Connected Load (kW) at 240V	9.5
Max. Current Draw (Amps) at 208V	34.1
Max. Current Draw (Amps) at 240V	39.6
Recommended Circuit Breaker (Amps) at 208V	40
Recommended Circuit Breaker (Amps) at 240V	40

## ACCESSORIES

Filler trim kit	JXTR32B
Smart Cookware	With rebate

# Café™ 30" Built-In Touch Control Electric Cooktop

CEP90301TBB

# CAFÉ

DISTINCT BY DESIGN™

## WARRANTY

Parts warranty	Limited 1-year entire appliance 90 days post-install on cooktop glass
Labor warranty	Limited 1-year entire appliance
Warranty notes	See written warranty for full details

## DIMENSIONS AND INSTALLATION

**Important:** Requires a 5" free area between the bottom of the cooktop to any combustible material, i.e., shelving. Free area not required when installing wall oven underneath cooktop. Refer to installation instructions. Requires a 15" minimum from cooktop to adjacent overhead cabinets. Units are furnished with a 48" flexible armored cable.

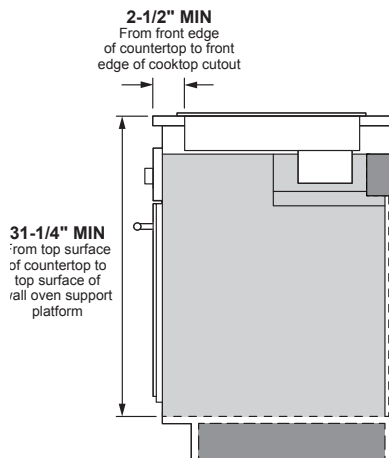
**Note:** 30" Ribbon cooktops are approved for use over select Café 27" and Café 30" Single Wall Ovens and Warming Drawers. Refer to cooktop and wall oven/warming drawer installation instructions packed with product for current dimensional data. If installed with a Telescopic Downdraft System, consult both the cooktop and downdraft installation instructions packed with product before installing. Cooktop gas/electric supply may need to be re-routed to install downdraft. The countertop cutout requires 23-1/2" minimum flat countertop surface and 25" minimum total countertop depth. In addition, other clearances to front edge of the countertop must be considered. Before installing, consult installation instructions packed with product for current dimensional data.

**Cutout filler trim kit:** A filler trim kit is available for use if your countertop cutout is larger than the dimension shown, up to 29-13/16" x 20-7/16". Order JXTR32B to reduce the cutout opening for installation of this cooktop. These kits may be ordered from your Café Appliances Dealer.

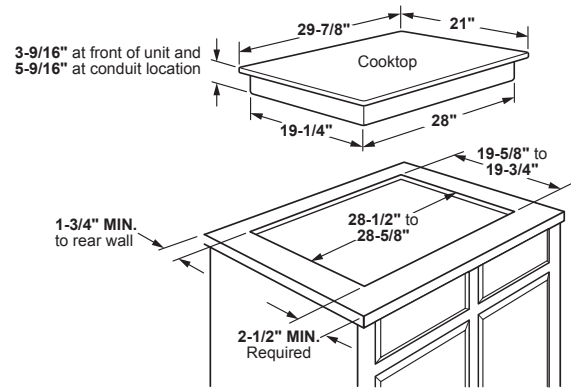
Voltage (60HZ AC)	240V	208V
Connected load (max.)	9.4Kw	7.1Kw
Current draw (max.)	39.2 Amps	33.9 Amps
Recommended circuit breaker*	40 Amps	40 Amps

\*Note: Check local codes for required breaker size.

### Installation above a wall oven



### Approximate Cooking Dimensions



To insure accuracy, it is best to make a template when cutting the opening in the counter

