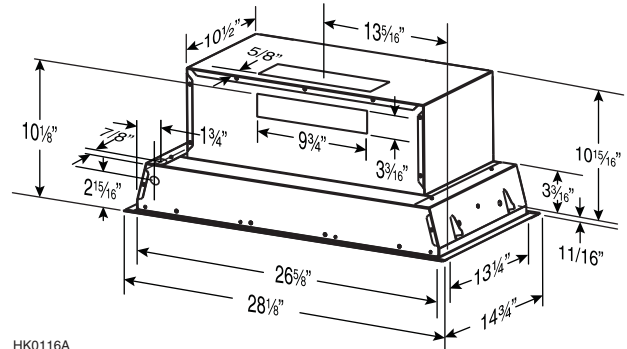


## SPECIFICATIONS

MODEL	EC6230SSL	EC6230TSSL
BLOWER	SINGLE	DUAL
VOLTS	120 VAC	120 VAC
HZ	60	60
AMPS	6.0	9.5
CFM (HIGH SPEED)	600*	1000
CFM (LOW SPEED)	210	370
SONES (HIGH SPEED)	8.5	12.0
SONES (LOW SPEED)	1.1	1.5
DUCTING SIZE	3¼" x 10"	10" ROUND
2 LED MODULES	120 V, 5.5 W	120 V, 5.5 W
WARRANTY	1 YEAR	1 YEAR

\* OPTIONAL ARP310 AIR FLOW REDUCER  
(LIMITS THE AIRFLOW OF THE HOOD UNDER 300 CFM).

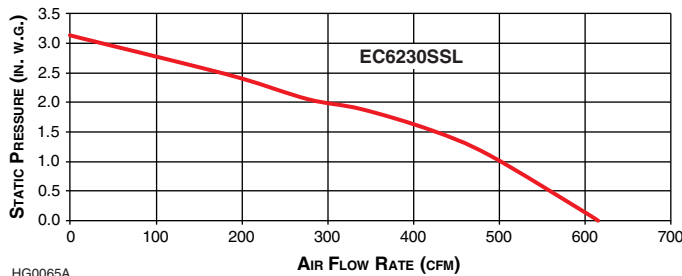
## DIMENSIONS



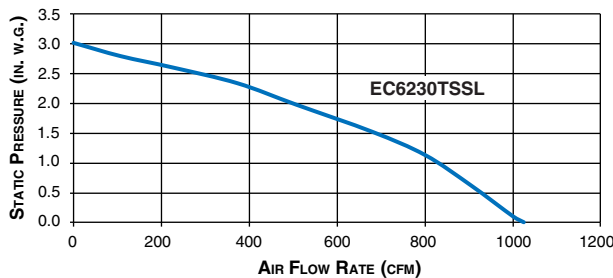
HK0116A

NOTE: The dual blower model has the same dimensions than the single blower model, but doesn't have an horizontal discharge. Refer to EC6230SSL illustration above for back and side dimensions, and discard horizontal discharge measurements.

## AIR FLOW PERFORMANCE

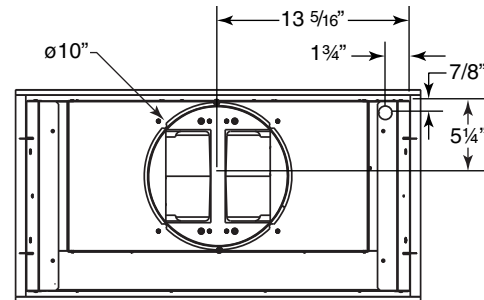


HG0065A



HG0067A

## EC6230TSSL



HK0114A

TOP VIEW



HVI-2100 CERTIFIED RATINGS comply with new testing technologies and procedures prescribed by the Home Ventilating Institute, for off-the-shelf products, as they are available to consumers. Product performance is rated at 0.1 in. (2.54 mm) static pressure, based on tests conducted in a state-of-the-art test laboratory. Sones are a measure of humanly-perceived loudness, based on laboratory measurements.



BROAN-NU-TONE CANADA ULC, MISSISSAUGA, ONTARIO WWW.BROAN.CA 1-888-882-7626

PROJECT	REMARKS
LOCATION	
MODEL No.	
QTY.	
SUBMITTED BY	
DATE	