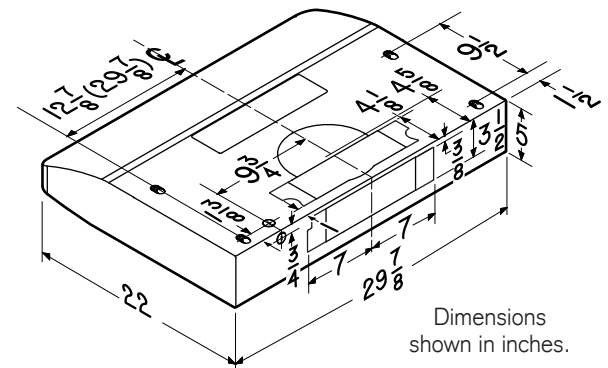


Innovative and stylish. This model is sure to win over even the most demanding users with its innovative design, advanced technology, and unmatched performance.

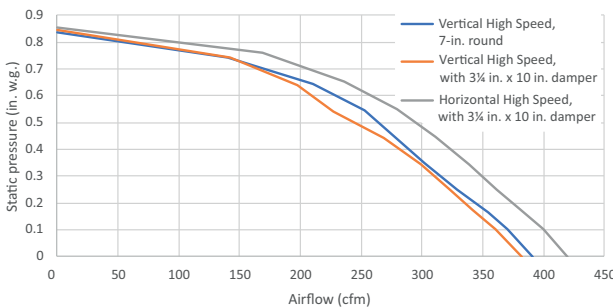
SIZE	STAINLESS	WHITE	GREASE FILTERS (replacement)	NON-DUCTED FILTERS
30 in.	VCQLA130SS	VCQLA130WH	HPFA430 (Type "C5")	HPF30 (Type "Xc")

HVI PERFORMANCE									
Duct Orientation	Size	Damper	Sones			CFM			
			Normal	Medium*	High	Normal	Medium*	High 0.25 in. w.g.	High 0.1 in. w.g.
Vertical - Rectangular	3¼ x 10 in.	Included	0.4	2.5	6.0	140	230	310	360
Horizontal - Rectangular	3¼ x 10 in.	Included	0.4	2.0	5.5	150	240	340	400
Round - Vertical	7 in.	Sold Separately	0.4	2.0	5.5	140	220	320	370

FEATURES	
Max. Blower CFM**	450 CFM
Control type	3-Speed Infrared
Delay off	yes
Filter Clean Reminder	yes
Heat Sentry™	yes
ADA Capable	yes
Lighting	3-level LED (included)
Grease Filters	Hybrid Baffle (Qty. 2)
Installation Hardware	EZ1 Bracket
ENERGY STAR®	no
Recirculation	Non-ducted filters sold separately
AC INPUT	
120 V, 60 Hz -1.4 AMPS	
OPTIONAL ACCESSORIES	
7-in. Round Damper	BP87Q
7-in. Round Adapter Plate	SR680508
ADA Wiring Kit	HAWRK3
Make-up Air Dampers	MD6TU, MD8TU and MD10TU
MOUNTING HEIGHT	
18 in. to 30 in. from cooktop to bottom of hood	
LIMITED WARRANTY	
5-year 3-year (LED modules only) (See installation manual for full warranty text.)	
FOR INDOOR USE ONLY	



Dimensions shown in inches.



SPECIFICATION SHEET  
**VCQLA1 SERIES**



HVI-2100 CERTIFIED RATINGS comply with new testing technologies and procedures prescribed by the Home Ventilating Institute, for off-the-shelf products, as they are available to consumers. Product performance is rated at 0.1 and 0.25 in. static pressure at high speed based on tests conducted in an HVI-approved state-of-the-art test laboratory. Sones are a measure of humanly-perceived loudness, based on laboratory measurements.  
\* Where noted performance rating is not HVI certified but was established in accordance with HVI Standardized test procedure.  
\*\* Max. blower CFM indicates the performance of the hood blower in open air.

Innovant et élégant. Ce modèle charme les plus exigeants par son design innovant, sa technologie de pointe et sa performance supérieure.

LARGEUR	INOX	BLANC	FILTRES À GRAISSES (remplacement)	FILTRES DE RECIRCULATION
30 po	VCQLA130SS	VCQLA130WH	HPFA430 (Type "C5")	HPF30 (Type "Xc")

RENDEMENT HVI									
Orientation du conduit	Largeur	Volet	Sones			pi <sup>3</sup> /min			
			Normale	Moyenne*	Haute	Normale	Moyenne*	Haute 0,25 po d'eau	Haute 0,1 po d'eau
Rectangulaire vertical	3¼ po x 10 po	inclus	0,4	2,5	6,0	140	230	310	360
Rectangulaire horizontal	3¼ po x 10 po	inclus	0,4	2,0	5,5	150	240	340	400
Rond vertical	7 po	vendu séparément	0,4	2,0	5,5	140	220	320	370

CARACTÉRISTIQUES	
Puissance max. du ventilateur**	450 pi <sup>3</sup> /min
Type de commande	Infrarouge, à 3 vitesses
Arrêt différé	oui
Rappel d'entretien des filtres	oui
Détecteur Heat Sentry <sup>MC</sup>	oui
Capacité ADA	oui
Éclairage	DEL à 3 intensités (inclus)
Filtres à graisses	Hybrides / à déflecteur (qté 2)
Matériel pour l'installation	Supports EZ1
ENERGY STAR <sup>®</sup>	non
Recirculation	Filtres de recirculation vendus séparément

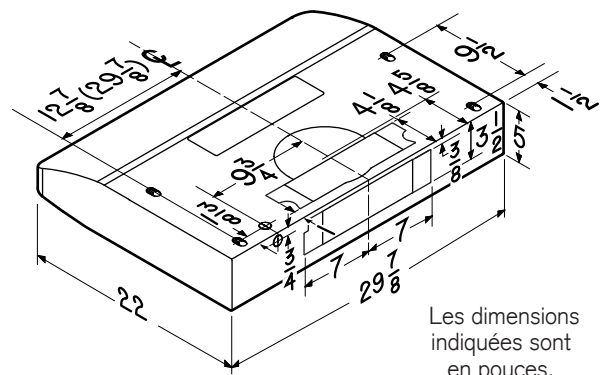
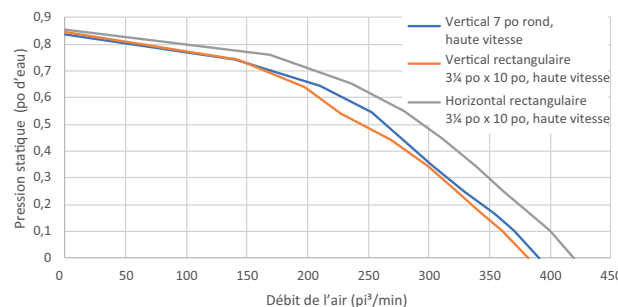
ALIMENTATION CA	
120 V, 60 Hz - 1,4 A	

ACCESSOIRES OPTIONNELS	
Volet rond de 7 po	BP87Q
Plaque pour conduit rond 7 po	SR680508
Ensemble de câblage ADA	HAWRK3
Dispositifs d'apport d'air	MD6TU, MD8TU et MD10TU

HAUTEUR DE MONTAGE	
De 18 po à 30 po au-dessus de la surface de cuisson	

GARANTIE LIMITÉE	
5 ans	
3 ans (modules DEL seulement)	
<i>(Voir le manuel d'installation pour le texte complet de la garantie.)</i>	

**POUR UTILISATION À L'INTÉRIEUR SEULEMENT**



Les dimensions indiquées sont en pouces.