



WWW.BROAN.COM

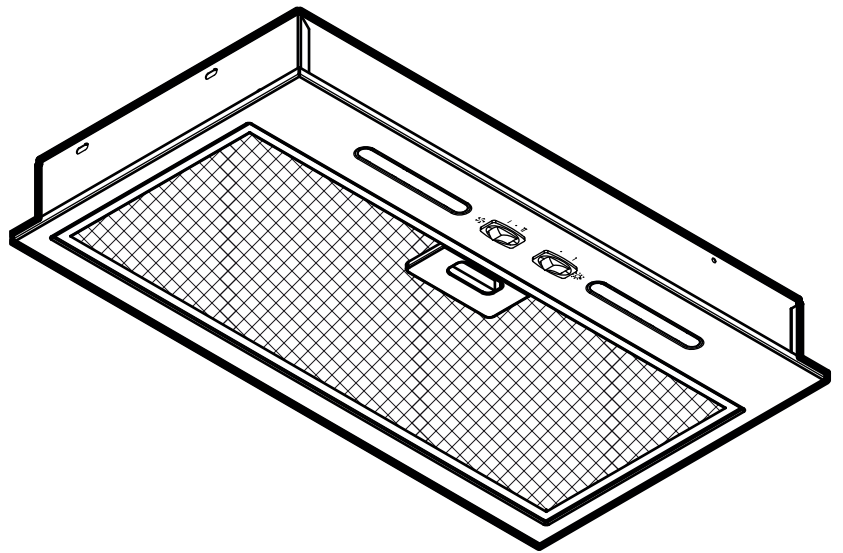
WWW.BROAN.CA

BROAN
BROAN
BROAN
BROAN

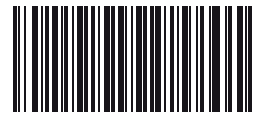
Power Module

Model number: PM250SSP

INSTALLATION, USE & CARE INSTRUCTIONS



Serial number:



99046054B

To register your product, please visit our website:
In the United States - Broan.com
In Canada - Broan.ca

For Technical Support, call:
In the United States - 800-637-1453
In Canada - 877-896-1119

**Installer: Leave this manual with the homeowner.
READ AND SAVE THESE INSTRUCTIONS**

⚠ Intended for domestic cooking only ⚠

⚠ WARNING



TO REDUCE THE RISK OF FIRE, ELECTRIC SHOCK, OR INJURY TO PERSONS, OBSERVE THE FOLLOWING:



- Use this unit only in the manner intended by the manufacturer. If you have questions, contact the manufacturer at the address or telephone number listed in the warranty.
- Before servicing or cleaning unit, switch power off at service panel and lock the service disconnecting means to prevent power from being switched on accidentally. When the service disconnecting means cannot be locked, securely fasten a prominent warning device, such as a tag, to the service panel.
- Installation work and electrical wiring must be done by a qualified person(s) in accordance with all applicable codes and standards, including fire-rated construction codes and standards.
- Sufficient air is needed for proper combustion and exhausting of gases through the flue (chimney) of fuel burning equipment to prevent backdrafting. Follow the heating equipment manufacturer's guideline and safety standards such as those published by the National Fire Protection Association (NFPA), and the American Society for Heating, Refrigeration and Air Conditioning Engineers (ASHRAE), and the local code authorities.
- When cutting or drilling into wall or ceiling, do not damage electrical wiring and other hidden utilities.
- Ducted fans must always be vented to the outdoors.
- Do not use this unit with any separate solid-state speed control device.
- To reduce the risk of fire, use only metal ductwork.
- This unit must be grounded.
- When installing, servicing or cleaning the unit, it is recommended to wear safety glasses and gloves.
- When applicable local regulations comprise more restrictive installation and/or certification requirements, the aforementioned requirements prevail on those of this document and the installer agrees to conform to these at his own expense.

⚠ WARNING**TO REDUCE THE RISK OF A RANGE TOP GREASE FIRE:**

- A. Never leave surface units unattended at high settings. Boilovers cause smoking and greasy spillovers that may ignite. Heat oils slowly on low or medium settings.
- B. Always turn hood ON when cooking at high heat or when flambing food (i.e. Crepes Suzette, Cherries Jubilee, Peppercorn Beef Flambe).
- C. Clean ventilating fans frequently. Grease should not be allowed to accumulate on fan or filter.
- D. Use proper pan size. Always use cookware appropriate for the size of the surface element.

TO REDUCE THE RISK OF INJURY TO PERSONS IN THE EVENT OF A RANGE TOP GREASE FIRE, OBSERVE THE FOLLOWING:*

1. SMOTHER FLAMES with a close-fitting lid, cookie sheet, or metal tray, then turn off the burner. BE CAREFUL TO PREVENT BURNS. If the flames do not go out immediately, EVACUATE AND CALL THE FIRE DEPARTMENT.
2. NEVER PICK UP A FLAMING PAN - You may be burned.
3. DO NOT USE WATER, including wet dishcloths or towels - violent steam explosion will result.
4. Use an extinguisher ONLY if:
 - A. You know you have a Class ABC extinguisher and you already know how to operate it.
 - B. The fire is small and contained in the area where it started.
 - C. The fire department is being called.
 - D. You can fight the fire with your back to an exit.

* Based on "Kitchen Fire Safety Tips" published by NFPA.

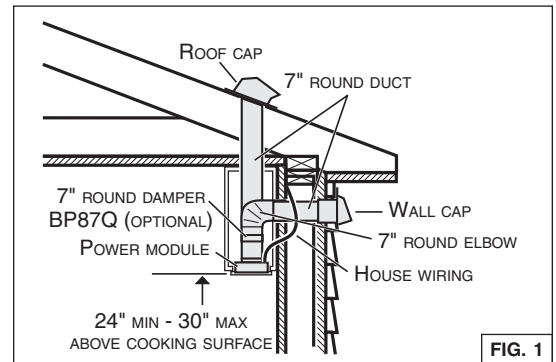
⚠ CAUTION

- For indoor residential use only.
- To reduce risk of fire and to properly exhaust air, be sure to duct air outside. Do not vent exhaust air into spaces within walls or ceilings or into attics, crawl spaces, or garages.
- Take care when using cleaning agents or detergents.
- Avoid using food products that produce flames under the Range Hood.
- For general ventilating use only. Do not use to exhaust hazardous or explosive materials and vapors.
- To avoid motor bearing damage and noisy and/or unbalanced impellers, keep drywall spray, construction dust, etc. off power unit.
- Your hood motor has a thermal overload which will automatically shut off the motor if it becomes overheated. The motor will restart when it cools down. If the motor continues to shut off and restart, have the hood serviced.
- The bottom of the hood MUST NOT BE LESS than 24" and recommended at a maximum of 30" above the cooktop for best capture of cooking impurities.
- Two installers are recommended.
- Please read specification label on product for further information and requirements.

INSTALL THE DUCTWORK (DUCTED INSTALLATION ONLY)

NOTE: To reduce the risk of fire, use only metal ductwork.

1. Decide where the ductwork will run between the hood and the outside. (Fig. 1)
2. A straight, short duct run will allow the hood to perform most efficiently.
3. Long duct runs, elbows, and transitions will reduce the performance of the hood. Use as few of them as possible. Larger ducting may be required for best performance with longer duct runs.
4. Install wall cap or roof cap (sold separately). Connect metal ductwork to cap and work back towards the hood location. Use 2" metal foil duct tape to seal the joints between ductwork sections.



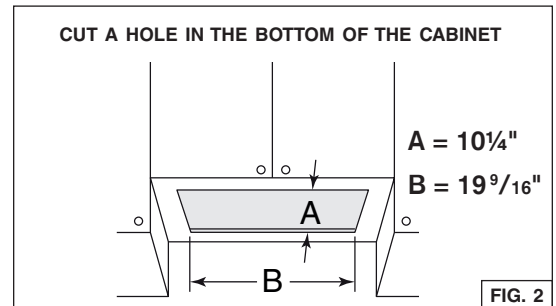
OPTIONAL LINERS

For installations where the power module is less than 30" above cook top, it is recommended that the power module be mounted into a metal liner. This will allow easier cleaning and provide protection to the cabinetry. Refer to table at right to find the liner model corresponding to the cabinet style and width. Visit www.broan.com or www.broan.ca to view specific model information.

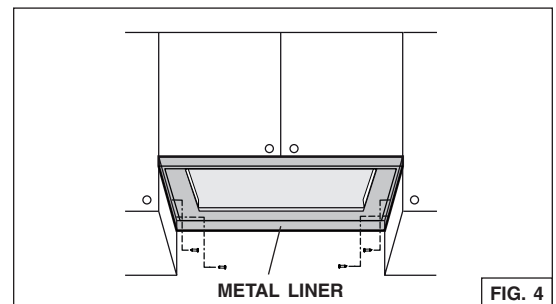
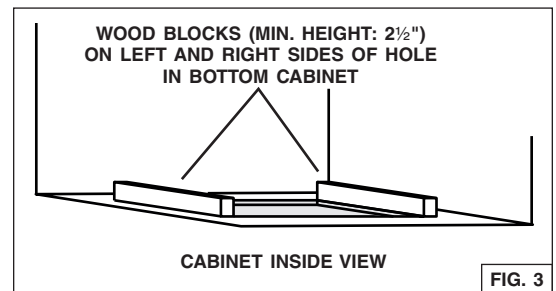
LINER MODEL	CABINET NOMINAL WIDTH
LB30	30"
LB36	36"
LB30SS	30"
LB36SS	36"
LT30	30"
LT36	36"

PREPARE THE CABINET

- NOTES:
- A. The power module has to be installed inside the cabinet, at minimum 1" from the rear wall. If installing with one of the optional liners, use it as a template to cut the hole in the bottom of the cabinet.
 - B. The internal height of cabinet has to be minimum 16".
 - C. The hood should be mounted centered over the cook top burners.
 - D. For cabinet without bottom, go to **Alternate mounting** in **INSTALL THE POWER MODULE** section on next page.



1. Cut a hole in the bottom of the cabinet, using the dimensions shown (Fig. 2), or use the optional liner as a template.
2. Secure 2 wood blocks having 2½" minimum height x 10¼" long (not included) inside the cabinet, on left and right sides of the hole, flush to the edges (Fig. 3).
3. Secure the optional liner (Fig. 4) using 4 mounting screws (included with the liner).



INSTALL THE POWER MODULE

1. Remove the grease filter by pushing down on its latch tab and tilting the filter downward (Fig. 5). Set aside the filter.
2. Remove the parts bag taped inside the power module.
3. Disassemble the electrical compartment cover (grey part in Fig. 6) from inside the power module by removing both its retaining screws. Set aside the cover along with its screws.
4. Run house power cable between service panel and power module location. Stub out a 2-foot length of power cable inside the cabinet. Attach the power cable to the power module using an appropriate 7/8" diameter strain relief (not included).
5. Insert the power module in the cabinet (Fig. 7) and secure to the wood blocks previously installed using (4) wood screws included in parts bag (2 screws per side).

Alternate mounting:

6. For installation in a cabinet without bottom, insert the power module in the liner. Install 2 wood blocks having 2½" minimum height x 10¼" long (not included), on top of the liner and on left and right side of the power module. Secure the power module to the wood blocks using (4) wood screws included in parts bag (2 screws per side) (Fig. 8).

CAUTION

Ensure the wood blocks rest completely on the top of the liner, not on the liner flanges (Fig. 9)

NOTE: Liner appearance may vary.

7. Secure the liner (Fig. 10) using 4 mounting screws (included with the liner).

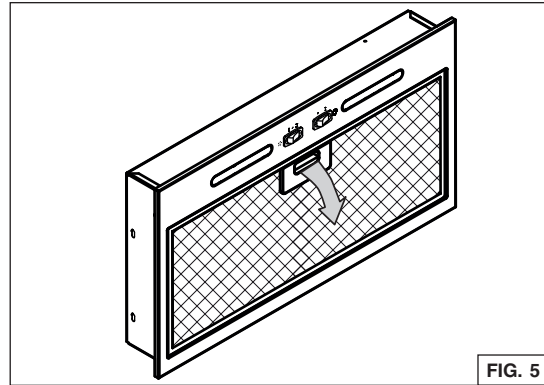


FIG. 5

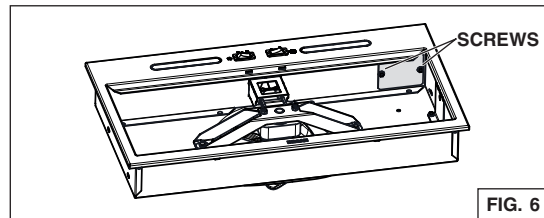


FIG. 6

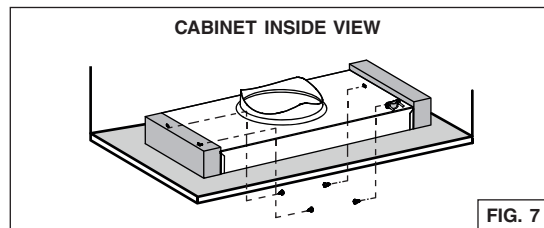


FIG. 7

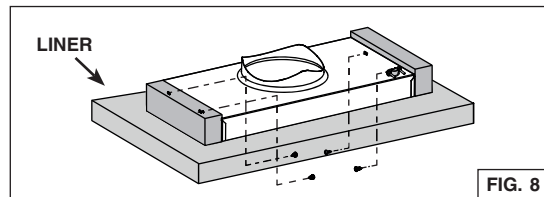


FIG. 8

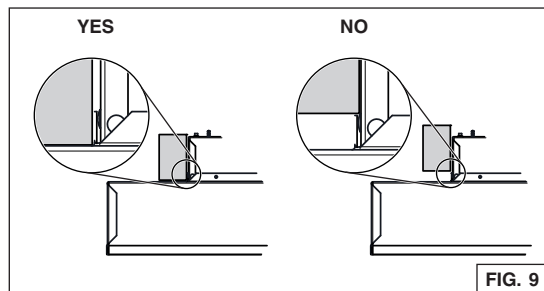


FIG. 9

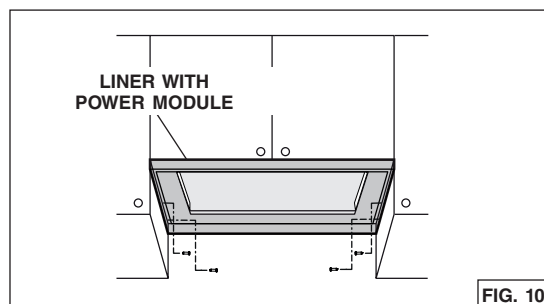


FIG. 10

CONNECT DUCTWORK

Ducted Installation

Use 7" round metal duct to connect the discharge collar on the power module to the ductwork above. An optional 7" round damper, model BP87Q, may be used (purchase separately).

NOTE: Due to its design, the BP87Q 7" round damper cannot be installed directly over the power module discharge collar; if this damper has to be installed, it must be attached between two sections of 7" round metal duct (Fig. 11). Use metal foil tape to make all joints secure and air tight.

Non-Ducted Installation

The 358NDK non-duct kit is required for this type of installation (purchase separately). To install, follow the instructions packed with this kit.

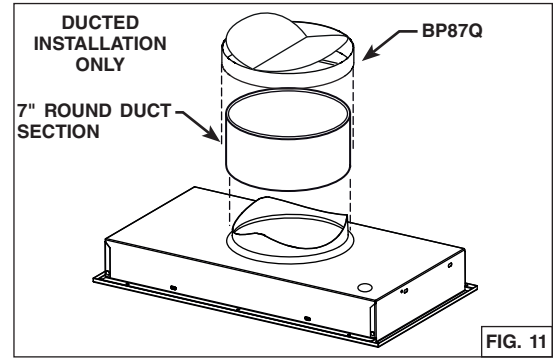


FIG. 11

WIRING

⚠ WARNING

Risk of electric shock. Electrical wiring must be done by qualified personnel in accordance with all applicable codes and standards. Before connecting wires, switch power off at service panel and lock service disconnecting means to prevent power from being switched on accidentally.

1. Using appropriate wire nuts (not included), connect house power cable to power module wiring: BLACK to BLACK, WHITE to both WHITE wires and GREEN or bare wire to GREEN ground wire (Fig. 12).
2. Reinstall the electrical cover in the power module using its both retaining screws.

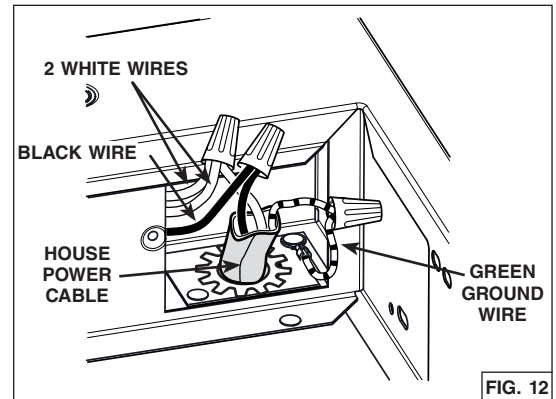


FIG. 12

CAUTION

Take care not to pinch wires while reinstalling wiring cover.

INSTALL THE FILTER

Ducted Installation

Reinstall the grease filter.

Non-Ducted Installation

Attach the non-ducted filter (included with the 358NDK non-duct kit) to the back of the grease filter using clips (provided with non-ducted filter). To order a new non-ducted filter, use service part number S99010464.

OPERATION

🌀 Blower Switch:

- I Turns blower on to LOW speed.
- Turns blower OFF.
- II Turns blower on to HIGH speed.



☀️ Light Switch:

- I Turns light ON.
- Turns light OFF.

The LED modules in this product are the latest in LED cooktop illumination technology - specially designed to operate in the elevated temperatures of cooking. They offer bright lighting and last up to 25 times as long as a standard bulb - with greater reliability than typical replacement LED bulbs.

MAINTENANCE

ALWAYS SWITCH OFF THE ELECTRICITY SUPPLY BEFORE CARRYING OUT ANY OPERATIONS ON THE APPLIANCE.

Grease Filter

The grease filter should be cleaned frequently. Use a warm dishwashing detergent solution. Grease filter is dishwasher safe.

Clean the filter in the dishwasher using a non-phosphate detergent. Discoloration of the filter may occur if using phosphate detergents, or as a result of local water conditions - but this will not affect filter performance. This discoloration is not covered by the warranty. To minimize or prevent discoloration, hand wash filter using a mild detergent.

Non-Ducted Recirculation Filter

The Non-Ducted Recirculation filter should be changed every 3 to 6 months. Replace more often if your cooking style generates extra grease, such as frying and wok cooking.

STAINLESS STEEL CLEANING

Do:

- Regularly wash with clean cloth or rag soaked with warm water and mild soap or liquid dish detergent.
- Always clean in the direction of original polish lines.
- Always rinse well with clear water (2 or 3 times) after cleaning. Wipe dry completely.
- You may also use a specialized household stainless steel cleaner.

Don't:

- Use any steel or stainless steel wool or any other scrapers to remove stubborn dirt.
- Use any harsh or abrasive cleansers.
- Allow dirt to accumulate.
- Let plaster dust or any other construction residues reach the unit. During construction/renovation, cover the unit to make sure no dust sticks to the stainless steel surface.

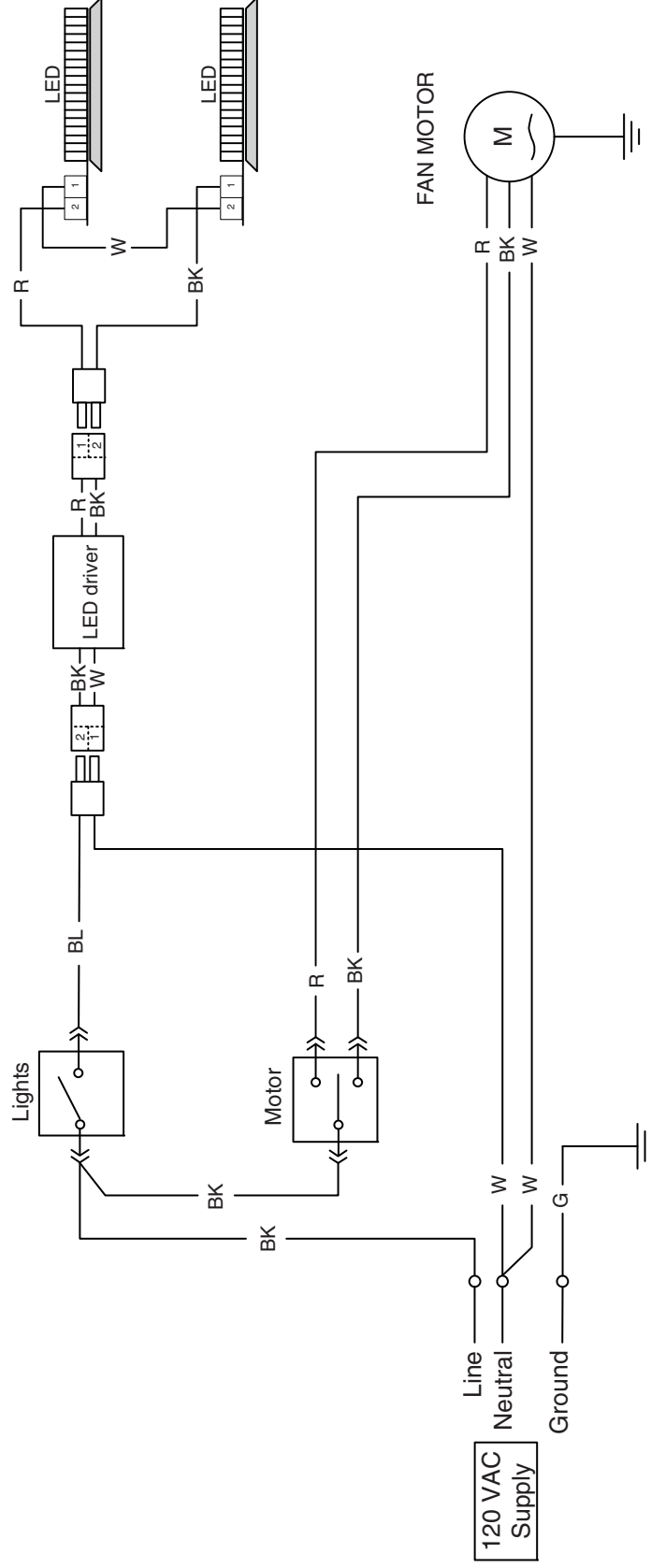
Avoid when choosing a detergent:

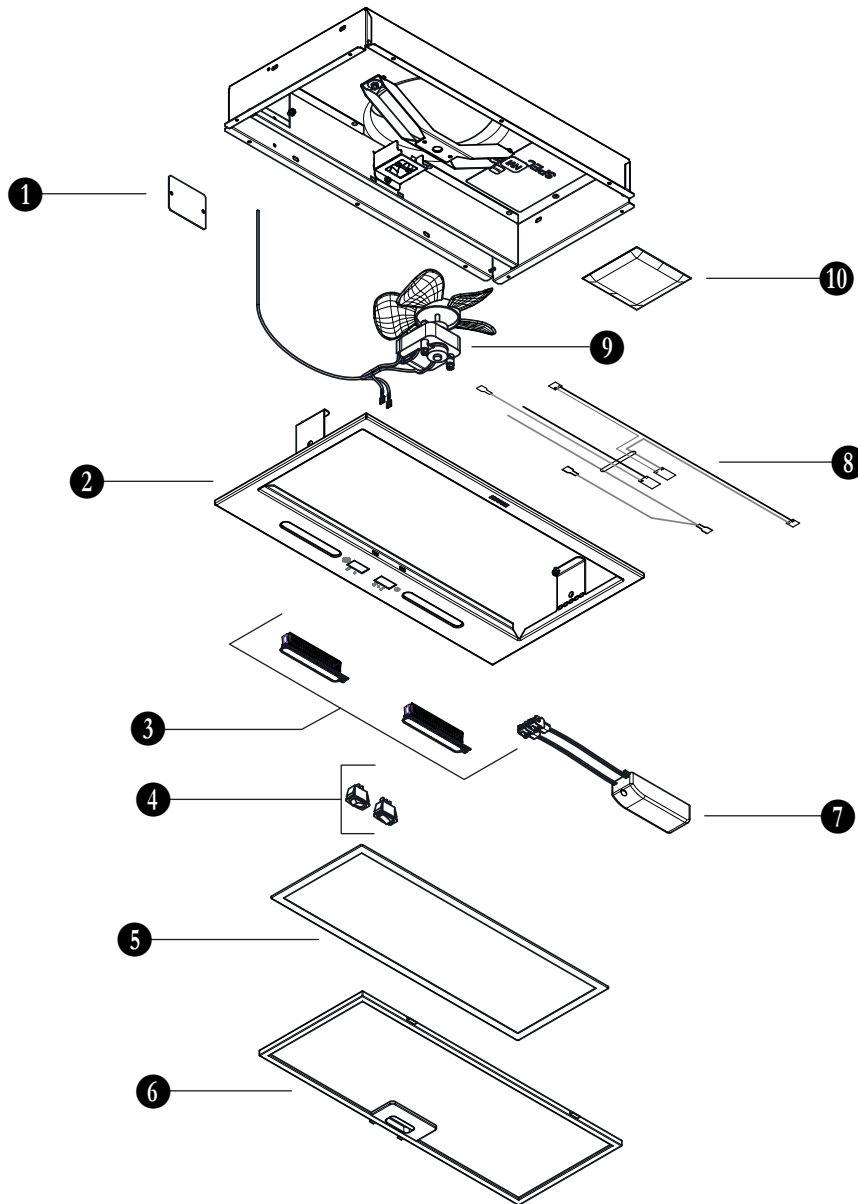
- Any cleaners that contain **bleach** will attack stainless steel.
- Any products containing: **chloride, fluoride, iodide, bromide** will deteriorate surfaces rapidly.
- Any combustible products used for cleaning such as **acetone, alcohol, ether, benzol**, etc., are highly explosive and should never be used close to a range.

WIRING DIAGRAM

ref: 990729774_REV-A

COLOR CODE		
BK	BLACK	R
BL	BLUE	W
G	GREEN	Y
		RED
		WHITE
		YELLOW





KEY NO.	PART NUMBER	DESCRIPTION	QTY.
1	S98010839	ELECTRICAL BOX COVER	1
2	S97021227	GRILLE	1
3	S97020444	LED MODULE ASSEMBLY (PAIR)	1
4	S99030376	ROCKER SWITCHES, BLACK (SET OF 2)	1
5	S99010464	CHARCOAL FILTER WITH CLIPS (NOT SHOWN) (NON-DUCTED INSTALLATION ONLY, MODEL NO. 358NDK)	1
6	S99010400	GREASE FILTER	1
7	S97020447	LED DRIVER WITH SCREWS	1
8	S99270604	WIRING HARNESS	1
9	SR730090	MOTOR AND FAN BLADE ASSEMBLY	1
10	S97018559	PARTS BAG	1

Limited Warranty

Warranty Period and Exclusions: Broan-NuTone LLC and Venmar Ventilation ULC (either being the "Company") warrants to the original consumer purchaser of its product ("you") that the product (the "Product") will be free from material defects in the Product or its workmanship for a period of one (1) year from the date of original purchase (or such longer period as may be required by applicable law). For Range Hood Product that includes built-in LED modules, the Company warrants the LED modules and driver to be free from material defects for a period of three (3) years from the date of purchase. The limited warranty period for any replacement parts provided by the Company and for any Products repaired or replaced under this limited warranty shall be the remainder of the original warranty period (or such longer period as may be required by applicable law).

This warranty does not cover fluorescent lamp starters, tubes, halogen, incandescent and LED bulbs, fuses, filters, ducts, roof caps, wall caps and other accessories for ducting that may be purchased separately and installed with the Product. This warranty also does not cover (a) normal maintenance and service, (b) normal wear and tear, (c) any Products or parts which have been subject to misuse, abuse, abnormal usage, negligence, accident, improper or insufficient maintenance, storage or repair (other than repair by the Company), (d) damage caused by faulty installation, or installation or use contrary to recommendations or instructions, (e) any Product that has been moved from its original point of installation, (f) damage caused by environmental or natural elements, (g) damage in transit, (h) natural wear of finish, (i) Products in commercial or nonresidential use, or (j) damage caused by fire, flood or other act of God or (k) Products with altered, defaced or removed serial numbers. This warranty covers only Products sold to original consumers in the United States and Canada by the Company or its U.S. and Canadian distributors authorized by the Company.

This warranty supersedes all prior warranties and, subject to applicable law, is not transferable from the original consumer purchaser.

No Other Warranties: This Limited Warranty contains the Company's sole obligation and your sole remedy for defective products. The foregoing warranties are exclusive and in lieu of any other warranties and conditions, express or implied. **THE COMPANY DISCLAIMS AND EXCLUDES ALL OTHER EXPRESS WARRANTIES AND CONDITIONS, AND DISCLAIMS AND EXCLUDES ALL WARRANTIES AND CONDITIONS IMPLIED BY LAW, INCLUDING WITHOUT LIMITATION THOSE OF MERCHANTABILITY AND FITNESS FOR A PARTICULAR PURPOSE.** To the extent that applicable law prohibits the exclusion of implied warranties or conditions, the duration of any applicable implied warranty or condition is limited to the period specified for the express warranty above. Some jurisdictions do not allow limitations on how long an implied warranty lasts, so the above limitation may not apply to you. Any oral or written description of the Product is for the sole purpose of identifying it and shall not be construed as an express warranty.

Whenever possible, each provision of this Limited Warranty shall be interpreted in such manner as to be effective and valid under applicable law, but if any provision is held to be prohibited or invalid, such provision shall be ineffective only to the extent of such prohibition or invalidity, without invalidating the remainder of such provision or the other remaining provisions of the Limited Warranty.

Remedy: During the applicable limited warranty period, the Company will, at its option, provide replacement parts for, or repair or replace, without charge, any Product or part thereof, to the extent the Company finds it to be covered by and in breach of this limited warranty under normal use and service. The Company will ship the repaired or replaced Product or replacement parts to you at no charge. You are responsible for all costs for removal, reinstallation and shipping, insurance or other freight charges incurred in the shipment of the Product or part to the Company. If you must send the Product or part to the Company, as instructed by the Company, you must properly pack the Product or part—the Company is not responsible for damage in transit. The Company reserves the right to utilize reconditioned, refurbished, repaired or remanufactured Products or parts in the warranty repair or replacement process. Such Products and parts will be comparable in function and performance to an original Product or part and warranted for the remainder of the original warranty period (or such longer period as may be required by applicable law).

Company reserves the right, in its sole discretion, to refund the money actually paid by you for the Product in lieu of repair or replacement. If the Product or component is no longer available, replacement may be made with a similar product of equal or greater value, at Company's sole discretion. This is your sole and exclusive remedy for breach of this limited warranty.

Exclusion of Damages: **THE COMPANY'S OBLIGATION TO PROVIDE REPLACEMENT PARTS, OR REPAIR, REPLACE OR REFUND, AT THE COMPANY'S OPTION, SHALL BE YOUR SOLE AND EXCLUSIVE REMEDY UNDER THIS LIMITED WARRANTY AND THE COMPANY'S SOLE AND EXCLUSIVE OBLIGATION. THE COMPANY SHALL NOT BE LIABLE FOR INCIDENTAL, INDIRECT, CONSEQUENTIAL OR SPECIAL DAMAGES ARISING OUT OF OR IN CONNECTION WITH THE PRODUCT, ITS USE OR PERFORMANCE.** Incidental damages include but are not limited to such damages as loss of time and loss of use. Consequential damages include but are not limited to the cost of repairing or replacing other property which was damaged if the Product does not work properly.

THE COMPANY SHALL NOT BE LIABLE TO YOU, OR TO ANYONE CLAIMING UNDER YOU, FOR ANY OTHER OBLIGATIONS OR LIABILITIES, INCLUDING, BUT NOT LIMITED TO, OBLIGATIONS OR LIABILITIES ARISING OUT OF BREACH OF CONTRACT OR WARRANTY, NEGLIGENCE OR OTHER TORT OR ANY THEORY OF STRICT LIABILITY, WITH RESPECT TO THE PRODUCT OR THE COMPANY'S ACTS OR OMISSIONS OR OTHERWISE.

Some jurisdictions do not allow the exclusion or limitation of incidental or consequential damages, so the above limitation or exclusion may not apply to you. This warranty gives you specific legal rights, and you may also have other rights, which vary from jurisdiction to jurisdiction. The disclaimers, exclusions, and limitations of liability under this warranty will not apply to the extent prohibited by applicable law.

This warranty covers only replacement or repair of defective Products or parts thereof at the Company's main facility and does not include the cost of field service travel and living expenses.

Any assistance the Company provides to or procures for you outside the terms, limitations or exclusions of this limited warranty will not constitute a waiver of such terms, limitations or exclusions, nor will such assistance extend or revive the warranty.

The Company will not reimburse you for any expenses incurred by you in repairing or replacing any defective Product, except for those incurred with the Company's prior written permission.

How to Obtain Warranty Service: To qualify for warranty service, you must (a) notify the Company at the address or telephone number stated below within seven (7) days of discovering the covered defect, (b) give the model number and part identification and (c) describe the nature of any defect in the Product or part. At the time of requesting warranty service, you must present evidence of the original purchase date. If you cannot provide a copy of the original written limited warranty, then the terms of the Company's most current written limited warranty for your particular product will control. The most current limited written warranties for the Company's products can be found at www.broan.com and www.broan.ca.

Broan-NuTone LLC 926 West State Street, Hartford, WI 53027 www.broan.com 800-637-1453

Venmar Ventilation ULC, 550 Lemire Blvd., Drummondville, Québec, Canada J2C 7W9 www.broan.ca 1-877-896-1119