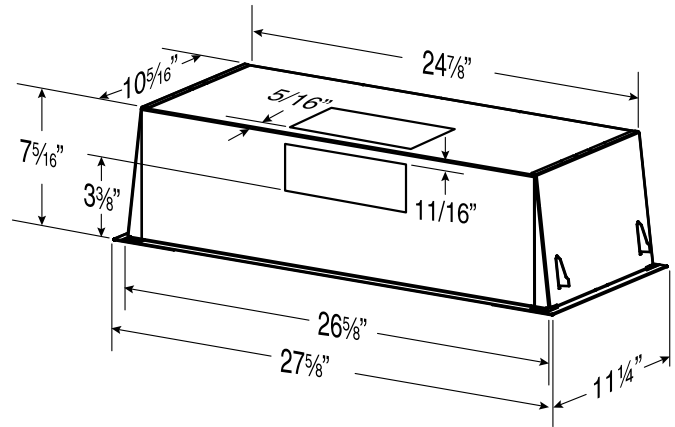


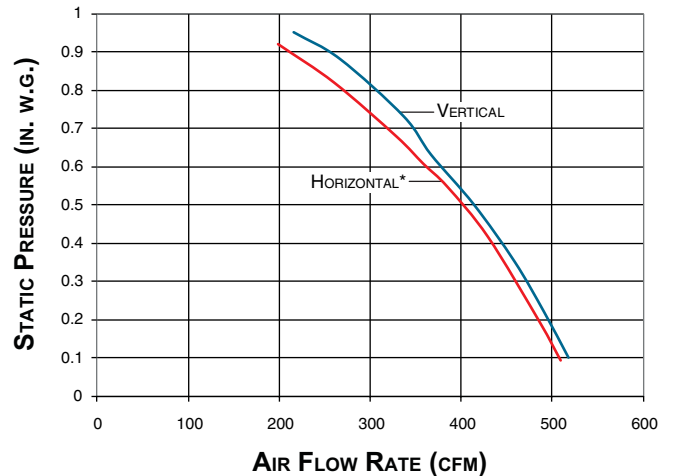
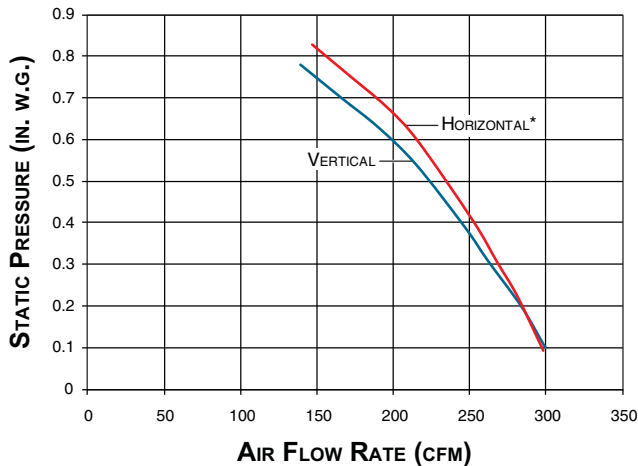
## SPECIFICATIONS

MODEL	BC2130SS	BC4130SS
BLOWER	SINGLE	DUAL
VOLTS	120 VAC	120 VAC
Hz	60	60
AMPS	2.5	4
CFM (LOW SPEED)	130	130
CFM (HIGH SPEED)	290	500
SONE(S) (LOW SPEED)	1.5	<0.3
SONES (HIGH SPEED)	9.0	10.0
DUCTING SIZE	3¼" x 10"	3¼" x 10"
2 SHIELDED HALOGEN BULBS	TYPE MR16, 120 VOLT, 50 W, WITH GU10 BASE	TYPE MR16, 120 VOLT, 50 W, WITH GU10 BASE
WARRANTY	1 YEAR	1 YEAR

## DIMENSIONS



## AIR FLOW PERFORMANCE



\* ALTHOUGH THE HORIZONTAL DISCHARGE INSTALLATION IS FEASIBLE, THIS INSTALLATION TYPE SHOULD BE ONLY PERFORMED IN SPECIFIC SITUATIONS SINCE IT REQUIRES PARTICULAR KNOWLEDGE AND TECHNICAL SKILLS FROM THE INSTALLERS.



HVI-2100 CERTIFIED RATINGS comply with new testing technologies and procedures prescribed by the Home Ventilating Institute, for off-the-shelf products, as they are available to consumers. Product performance is rated at 0.1 in. (2.54 mm) static pressure, based on tests conducted in a state-of-the-art test laboratory. Sones are a measure of humanly-perceived loudness, based on laboratory measurements.



BROAN-NU-TONE CANADA INC., MISSISSAUGA, ONTARIO WWW.BROAN.CA 1-888-882-7626

PROJECT	REMARKS
LOCATION	
MODEL No.	
QTY.	
SUBMITTED BY	
DATE	